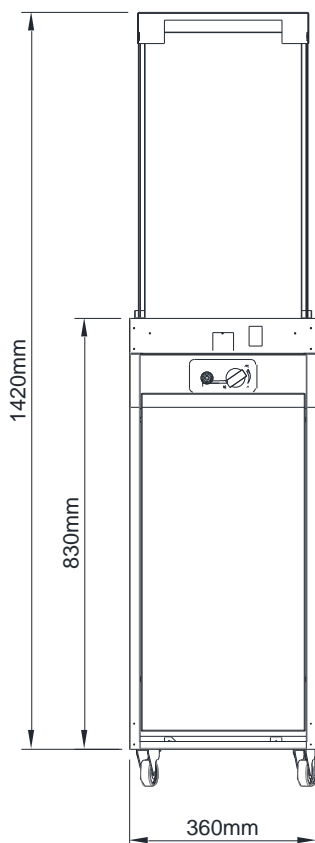


planika

KF 22

Faro

G30/G31 (Propane-Butane/Propane)



Produced by:
Planika Sp. z o.o.
Bydgoskich Przemysłowców 10
85-862 Bydgoszcz, Poland
Telephone: + 48 52 364 11 60

EN	INSTALLATION AND USERS MANUAL	2
DE	MONTAGE UND BEDIENUNGSANLEITUNG	20
ES	MANUAL DE INSTALACIÓN y USO	38
FR	INSTALLATION et MANUEL D'UTILISATION.....	56
IT	MANUALE D'INSTALLAZIONE E D'USO.....	74
PL	INSTRUKCJA INSTALACJI I OBSŁUGI.....	92

IT IS OBLIGATORY TO READ AND KEEP THIS INSTRUCTION.

TABLE OF CONTENTS

1. INTRODUCTION	3
2. SAFETY INSTRUCTIONS.....	4
2.1 Safety instruction regarding the use of the gas cylinders.....	5
3. INSTALLATION	6
3.1. Box contents	6
3.2. Unboxing and installation	7
3.3. Wheels installation.....	7
3.4. Installation of the glass screen.....	8
3.5. Gas cylinder montage	8
3.5.1. Installation of the gas linkage and gas cylinder replacement.....	9
3.5.2 Regulator replacement	12
4. USER'S MANUAL	13
4.1 Start-up of the device	13
4.2 Regulation of the flame size.....	14
4.3 Device shutdown.....	15
4.4. Replacing the battery.....	15
5. TESTING.....	15
5.1 Checking for gas leaks.	16
5.2 Checking the flame appearance.....	16
6. MAINTENANCE AND UPKEEP	16
6.1. Testing and cleaning	16
6.2. Glass screens cleaning.....	17
7. WARRANTY.....	17
8. TROUBLESHOOTING.....	18
9. TECHNICAL SPECIFICATION	18

1. INTRODUCTION

The KF 22 fireplace is decorative fuel-effect gas appliances intended only for outdoor or amply ventilated area use.

It is obligatory to acquaint oneself with the below installation manual and user's manual before committing to the installation and use of the KF 22 fireplace. This manual is to be kept safely for the lifetime of the device.

CE Declaration of conformity

We hereby declare that both the design and construction of a gas heating device manufactured by **Planika Sp. z o.o.** (with registered office at **Bydgoskich Przemysłowców 10 85-862 Bydgoszcz, Poland**) Regulation (EU) 2016/462 of the European Parliament and of the Council of 9 March 2016 (GAR) on appliances burning gaseous fuels.

Product: Patio heaters

Type: KF 22

Regulation: 2016/426

Standards: PN-EN 14543:2017-09

The notified body: Kiwa Nederland B.V, Wilmersdorf 50, P.O. Box 137, 7300 AC APELDOORN, The Netherland (NB0476) on the basis of the EU-type examination (production type) - module B in accordance with Annex III, point 1 of the above-mentioned Of the Regulation issued the EU-type examination certificate No. 19GR0374_01 on 04/06/2021

Production supervision in module C2 is carried out by THE INSTITUTE OF PETROLEUM AND GAS - National Research Institute, PL 31-501 Kraków, street Lubicza (NB1450) and NR 25 of the supervision certificate No. 1450-GAR-027 on October 21, 2021 sec. until 10/06/2022

The company's quality control system guarantees that the mass-produced devices meet the essential requirements of the applicable Directives and Regulations as well as the standards contained therein. This Declaration is annulled if any modifications are made to the device without the prior written consent of Planika.

 **PREZES ZARZĄDU**
Jarosław Dąbrowski

Chairman of the Board

Jarosław Dąbrowski

2. SAFETY INSTRUCTIONS

- **Read the instructions before use. Keep the instructions for future reference.**
- For use outdoors or in amply ventilated areas only. The use of this appliance in enclosed areas is DANGEROUS and is PROHIBITED.
- An amply ventilated area must have a minimum of 25 % of the surface area open. The surface area is the sum of the walls surface.

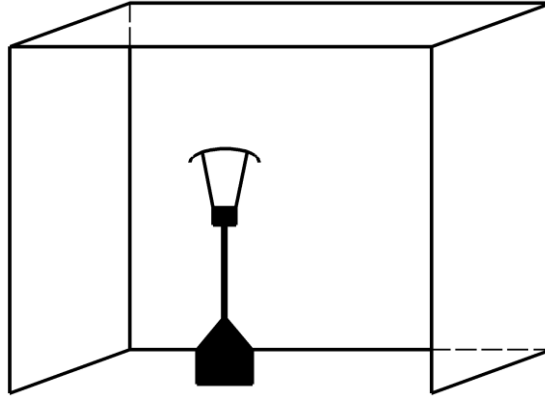


Fig 1 – Minimum ventilation area

- Do not move the appliance when in operation.
- Shut off the valve at the gas cylinder or the regulator before moving the appliance.
- In case of violent wind precautions must be taken against tilting of the appliance.
- This appliance must be used, and the gas cylinder stored, in accordance with the regulations in force.
- The FARO fireplace should installed and controlled annually according to the below installation manual as well as enforced national and local laws regarding gas safety (installation and use).
- One needs to assess whether the data on the product plaque complies with the local type of gas and pressure.
- Do not change the structure of the device or its sealed elements nor modify the default settings of the FARO fireplace.
- Do not set any additional imitation blocks nor any glowing coal fragments on the burner or in the combustion chamber.
- A CO2 or a powder fire extinguisher needs to be placed near the device.
- During the first ignition the FARO fireplace needs to be burnt on maximum level for a few hours in order for the elements to acquire correct temperature and for the remains of paint, lacquer and lubricant to evaporate.
- Do not move the device while it's working.
- FARO has been designed for decorative purposes. The surface of the FARO fireplace including the glass screens may get hot (up to 100 degrees Celsius) with the exception of the side walls of the appliance and the control panel.

WARNING!!! Parts of the device that are easy to reach may be very hot. Keep children away from the device.

- Glass panels must be installed when FARO is in use.

- This appliance must be kept away from flammable materials during use. Do not place any combustible materials within a distance of 0,3 m of FARO and 1 m over the appliance (Fig 2).

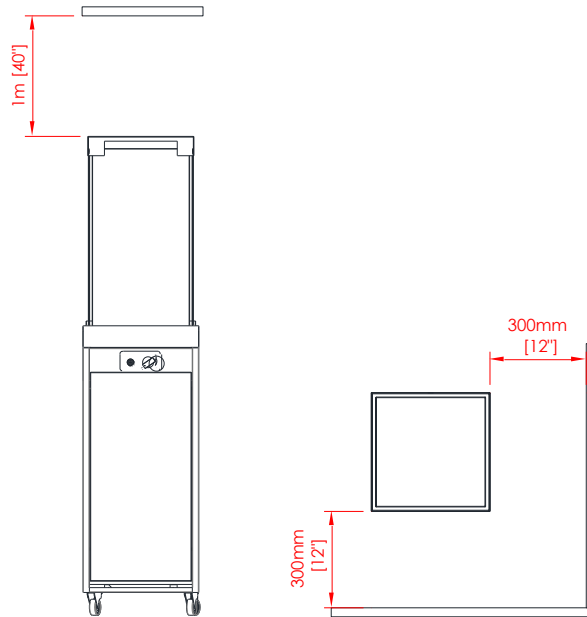


Fig 2 – Minimum distances

- When the FARO fireplace is on it's not to be exposed to rain.
- When not being used the FARO is to be protected from atmospheric conditions and the main valve of the gas cylinder needs to be turned off.
- If the FARO is not in use for a longer period of time (e.g. winter time), we advise you to store it inside.
- All parts of the FARO fireplace are made of stain resistant material.
- Never leave a turned on FARO without supervision.
- The FARO fireplace needs to be installed in a place inaccessible for children, unauthorised persons or animals for the direct contact with the flame or hot parts of the device to be impossible.
- In case of heavy wind the FARO fireplace needs to be immediately turned off and one needs to await until the heavy wind passes.
- In case of noticing any sort of gas leaks the fireplace as well as the main valve of the gas cylinder need to be turned off.
- After use turn off the gas cylinder valve.
- Salty seawater environment accelerates the corrosion process and contributes to fireplace damage

2.1 Safety instruction regarding the use of the gas cylinders.

- Use only the type of gas and pressure specified by the manufacturer.
- Change the gas cylinder in a amply ventilated area, away from any ignition source (candle, cigarettes, other flame producing appliances).
- Do not obstruct the ventilation holes of the cylinder housing.
- In the event of gas leakage, the appliance shall not be used or if alight, the gas supply shall be shut off and the appliance shall be investigated and rectified before it is used again.
- The gas cylinders should always be placed in a vertical position – during use and transport.
- Always store the gas cylinder in an easily accessible place to allow its immediate turn-off.

- During the installation process do not allow an open flame or any ignited object to reach the gas cylinder.
- Leaks should be found with the use of a cleaning liquid and water. If bubbles form on the surface that means that there's an existing leak.
- Always use a pressure regulator between the gas bottle and the device. Replace the pressure regulator every 5 years. The allowed pressures are: 30mbar, 37mbar (recommended), 50 mbar. Use only regulators complying with the European EN16129 Norm.
- Use only approved and certified gas connection linkage. Replace the linkage every 2 years.
- Check the flexible hose at least once per month and each time the cylinder is changed. If it shows signs of cracking, splitting or other deterioration it shall be exchanged for new hose of the same length and of the equivalent quality.
- Do not connect the gas cylinder directly to the appliance without regulator.
- The tubing or the flexible hose must be changed within the prescribed intervals.
- Use only the type of gas and the type of cylinder specified in these instructions.
- The elastic linkage connecting gas to the fireplace is to be led away from sharp edges and hot surfaces. Refrain from bends and twists of the elastic connection on its full length.
- Remember that the LPG bottle should be stored in a well-ventilated place. LPG gas is heavier than air and its accumulation near the bottom surface may generate an explosive mixture.
- The gas cylinder needs to be shut if the fireplace is not being used.
- Filling the gas cylinders is to be commissioned to certified gas filling stations.
- Replacement of empty cylinders for full ones is to be conducted only in authorised locations.

3. INSTALLATION

3.1. Box contents

- 1x complete FARO fireplace
- 4x Tempered glass screens
- 4x Glass corner
- 8x Glass silicon tube
- 1x bag of decorative stones
- 4x Wheels
- 1x AAA battery
- 1x 1,4 metre flexible hose Ø9mm – installed
- 1x pressure regulator (37mbar) – installed
- 1x Wrench
- 1x installation manual and user's manual

3.2. Unboxing and installation

- The contents of the boxes need to be carefully unwrapped from the foam foil.
- Remove the bags with decorative stones from the burner reservoir and place them away from it.
- Carefully pull out the glass shield wrapped in cardboard placed on the inside of the device
- Check the completeness of the elements with the contents list.
- Make sure that the device nor its elements weren't damaged during the transportation (if they were, notify the supplier).
- Place FARO on a flat, paved surface outside of the building, preferably on the place of final installation. Leave sufficient space on the side of the appliance where control panel is located (minimum 1 m).
- The decorative stones are to be scattered evenly around the reservoir to completely cover the burner of the fireplace.

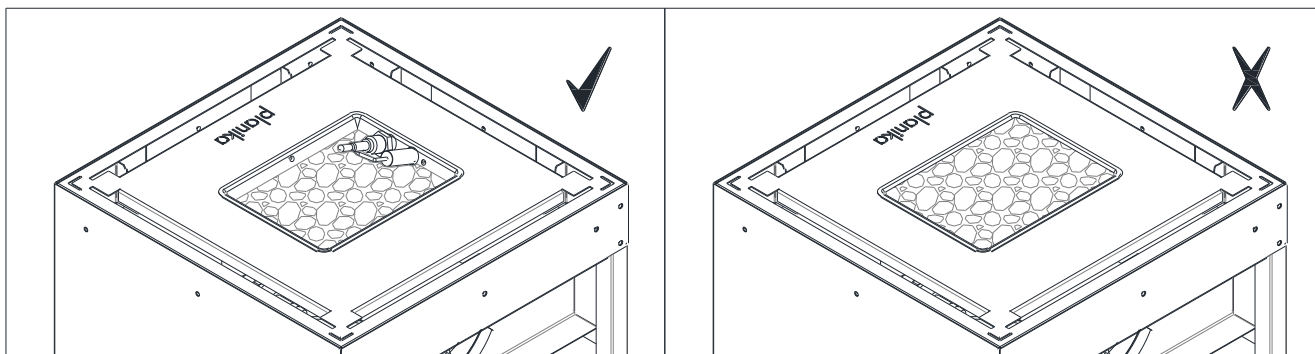


Fig 3 – Decorative stones arranged on burner

3.3. Wheels installation

	<p>Gently take off the door by lifting them upwards and then to the outside. Place the fireplace with the opening facing upwards.</p> <p>Warning Protect the unit from scratches before placing it.</p>
	<p>Insert the wheel screw through the hole in the bottom of the unit (1) and secure it with the washer (2) and nut (3) from the inside. Use wrench (4) to tight the wheel.</p>
	<p>Assemble 2 wheels with brakes on the side of the gas-cylinder door and 2 wheels without brakes on the opposite side.</p> <p>Place the product back to the vertical position.</p>

Fig 4 – Wheels installation

3.4. Installation of the glass screen

- Carefully remove cardboard and foam foil from the glass screens.
- Remove all contaminations from the glass shields which could burn out on the glass during operation of the FARO (in particular fingerprints).
- Slide in the glass silicon tubes on dedicated elements (detail) and install glass shields in the corresponding
- Assemble glass shield corners on top of the glass (detail) and then install the metal hood on.
- Remove the glass shield only in case of damage of the glass.

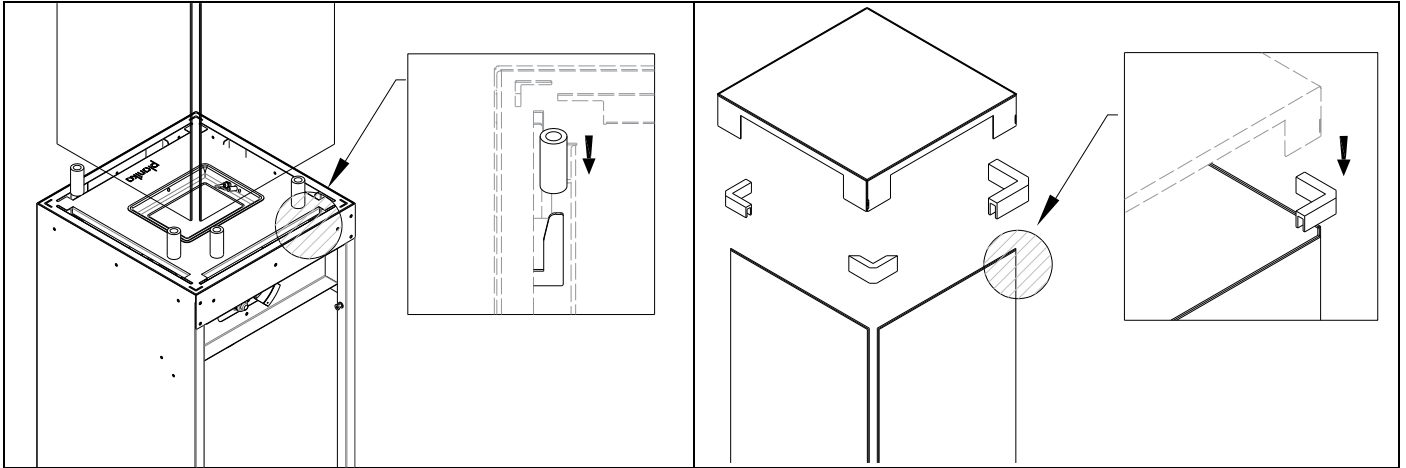


Fig 5– Installation of the glass in slots and metal hood on glass

3.5. Gas cylinder montage

The gas linkage attached to the device allows to place the gas bottle maximally 1 meter away from the connected control panel during its replacement. During operation the gas cylinder is hidden inside the device behind easily removable doors.

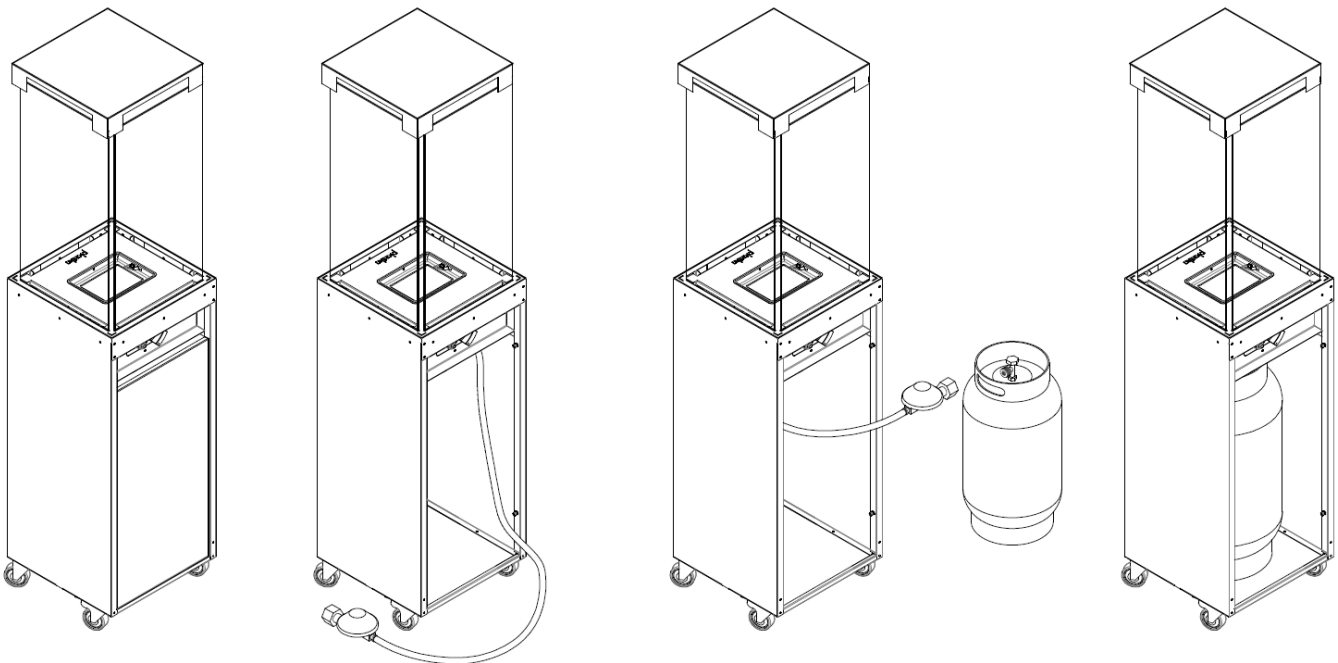


Fig 6– Gas cylinder installation

- The housing for the gas bottle is not airtight and has to be correctly ventilated. It is equipped with an upper ventilation slot above the top of the bottle (of an area min 1/100 of the area of the base of the housing) and a lower ventilation slot (of an area min 1/50 of the area of the base of the housing).

WARNING!!! Before gas cylinder replacement, please block the wheels of the device.

3.5.1. Installation of the gas linkage and gas cylinder replacement

WARNING!!! The montage and service needs to be conducted by a qualified professional, a company or the gas supplier.

Before proceeding with the connection of the gas cylinder to the fireplace all activity regarding the correct placement and installation of the FARO needs to be already performed. Place the gas linkage away from hot or sharp edges and make sure it is not twisted.

The FARO is delivered together with an elastic gas linkage which, on one end is connected to the valve of the device and on the other end to the gas regulator ready to be connected to the gas cylinder.

Pressure reducer type	Country	Connection Type	Inlet Diameter	Output
Type A	FR, UK, IE	Clip On	27 mm	G1/4"-LH
Type B	ES, DK, NO, FI, EE, PT, CY	Clip On	35 mm	G1/4"-LH
Type C	PL, DE, LT, AL, BE, CZ, SK, SI, LV, HR, CH, UA, RS, MK, BiH	Twist On	23 mm	G1/4"-LH
Type D	IT, GR	Twist On	20 mm	G1/4"-LH

If your gas cylinder has a different inlet size or requires a different regulator, replace the included regulator with the required one (available separately at your local market)

One needs to control the expiry date both of the regulator as well as the gas linkage and if necessary (for instance: broken, cut, scratched linkage) replace the components for new ones according to national standards and norms.

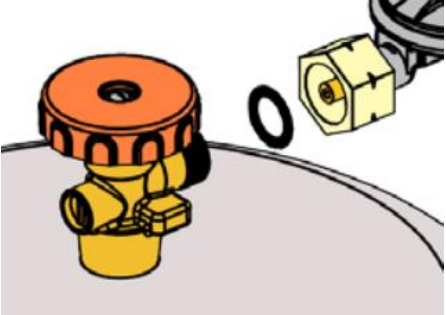
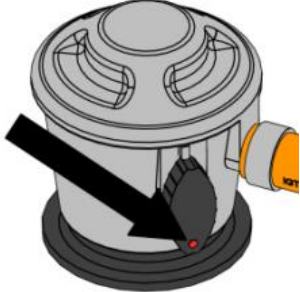

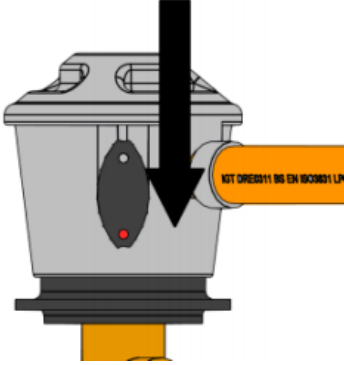

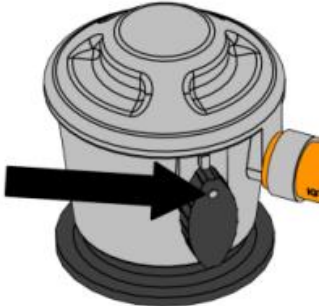
The FARO fireplace can use metal or steel bottles or composite bottles filled with propane-butane gas or propane gas.

WARNING!!! NEVER use an unstable gas connection (without a regulator).

Gas cylinders have two types of connectors:

- Twist-on connection: The most important thing is the black seal. Always check if the seal is present and whether it hasn't been damaged during the gas cylinder replacement. Some connections have a knob to fasten them in place while others require the use of a wrench. Tighten securely (left thread). Using the tool pay attention not to fasten the connection too tightly as this may damage the seal.
- Quick-release: For this type of connection no tool is required. On/off regulation of gas connection is made through a switch on the regulator or on a special connector. In case of using a connector with a thread regulator of an old type put a special emphasis on checking if the connecting nut has been tightly fastened with the help of wrench.

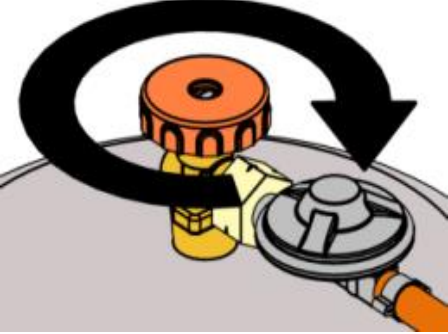


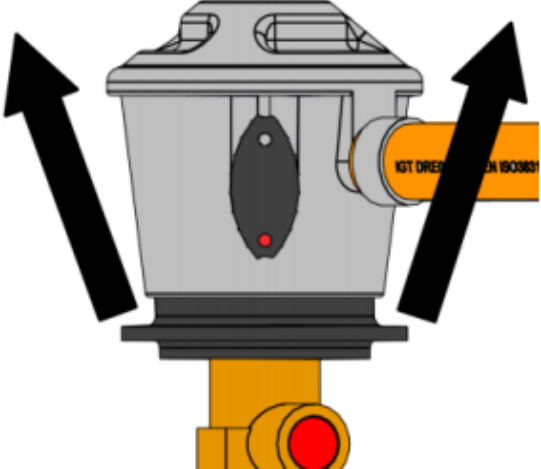
Gas cylinder connection

Twist-on connection	Quick-release
<ol style="list-style-type: none">1. Check if the bottle valve is TURNED OFF turning it clockwise2. Remove the protection tip and store it for later use.	<ol style="list-style-type: none">1. Remove the protection tip. Do not use any tools, leave the tip hanging freely.
<ol style="list-style-type: none">3. Before making the connection check if the black seal is not damaged. 	<ol style="list-style-type: none">2. Make sure all the taps on the gas device are closed and if the switch is in the OFF position. 
<ol style="list-style-type: none">4. Fit the connecting nut to the cylinder with the use of a correct wrench or the connecting knob. (left thread) Do not allow the gas bottle connectors to be fastened too tightly. 	<ol style="list-style-type: none">3. Place the quick-release regulator on the valve and press it down hard. If the switch is correctly turned off you will hear a characteristic click. 
<ol style="list-style-type: none">5. When the gas flow is required turn the valve of the bottle counter-clockwise. 	<ol style="list-style-type: none">4. To let the gas flow in turn the switch into the ON position (or into the flame image). 

WARNING!!! Check the gas connection for leakage. If anything suggests a leak is present (for instance a characteristic gas smell) close the gas bottle valve and under no circumstances turn the device on before removing the leak.

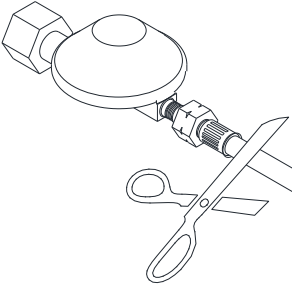
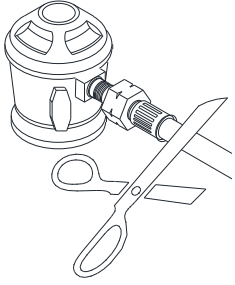
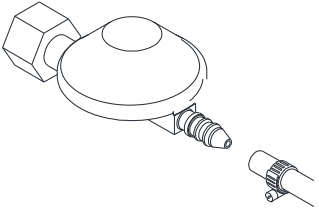
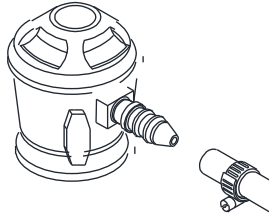
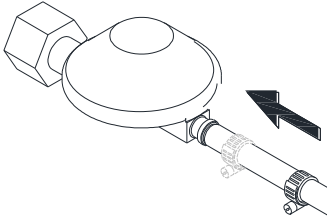
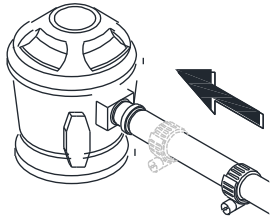
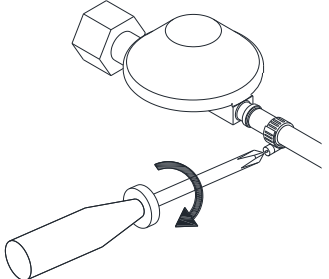
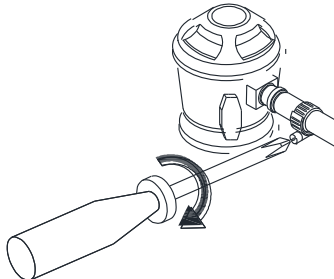
- After removing the leak one may open the gas bottle valve again.

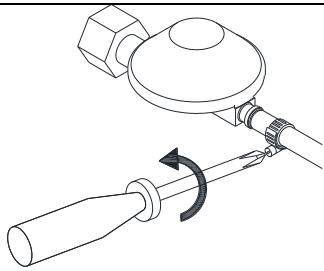
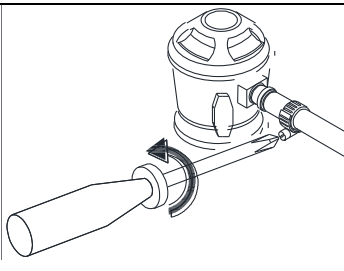
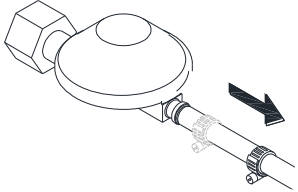
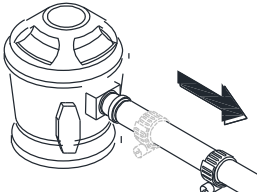
Disconnection of the gas cylinder

Twist-on connection	Quick-release
<p>1. Turn off the FARO – put it into the OFF position. The main burner need to be turned off.</p> <p>2. Turn the bottle valve into the OFF position (clockwise).</p> 	<p>2. Turn the switch into the OFF position.</p> 
<p>3. NEVER DO NOT unmount the regulator (or connecting nut) when the bottle valve is open.</p> <p>4. TAKE OFF the regulator (or the connecting nut) with the use of a wrench or a connecting knob.</p> 	<p>3. Take off the quick-release regulator by pressing the switch horizontally and simultaneously pulling the whole regulator upwards.</p> 
<p>5. REPLACE the linkage closer or cap on the empty or partially full bottle if it's not being used.</p>	<p>4. REPLACE the tightening cap on an empty or partially full bottle if it's not being used.</p>

3.5.2 Regulator replacement

1. You always need to use a pressure regulator between the gas bottle and the device. Replace the pressure regulator every 5 years. Allowed pressures: 30 mbar, 37 mbar (recommended), 50 mbar. Use only the regulators that comply with the EN16129 European Norm.
2. Turn off The FARO– the „OFF” position. The main burner need to be turned off.
3. Disconnect the regulator from the gas bottle (description above).

	Twist-on connection	Quick-release
4. Cut off attached pressure reducer or go to step 4.1. if you have pressure reducer with clamp connection.		
5. Replace the regulator to new one with clamp connection by attaching new linkage on the stub of regulator.		
6. Move the clamp into the stub		
7. Tighten the clamp with screwdriver (philips) or a flat wrench. WARNING! In the event of visible damage on the clamp, replace it for a new one.		

	Twist-on connection	Quick-release
4.1. Loosen the metal clamp with the use of a screwdriver (philips) or a flat wrench.		
4.2 Move the clamp away from the stub of gas regulator and go to step 5		

- FARO is equipped with the anti-tilt valve which shuts the device down in case if the fireplace is tilted or collapsed. The valve automatically cuts off the gas supply to the controller and this extinguishes the flame.

WARNING!!! make sure the anti-tilt valve is always installed in upward position.

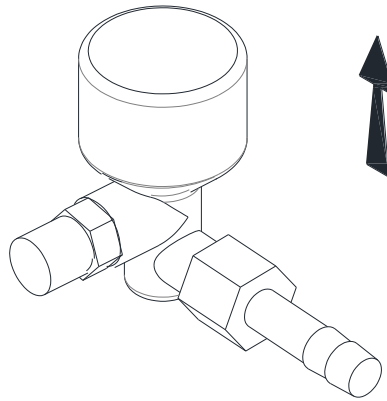


Fig 7– Anti -tilt sensor

4. USER’S MANUAL

The FARO fireplace has a control valve with a built-in ignition for the main burner (without pilot flame). The flame height of the main burner may be appropriately regulated with by turning the knob. Next to the knob is placed electric ignition button (powered by AAA battery). The control panel is placed in front just above the door of the gas cylinder compartment.

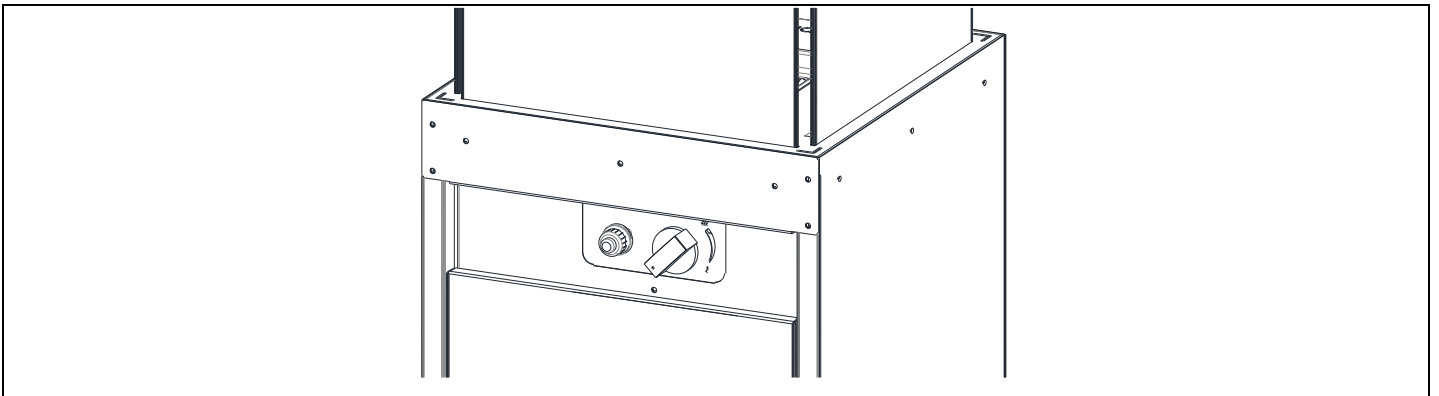


Fig 8– Control panel

4.1 Start-up of the device

- Make sure that the knob is placed in „OFF” position (all the way clockwise).

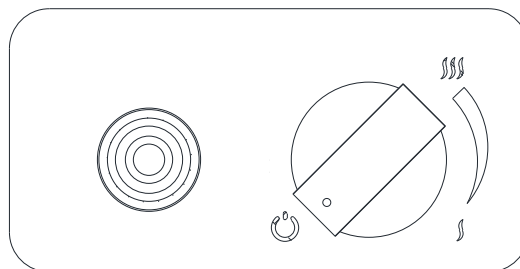


Fig 9 – Off position

- Open the valve on gas cylinder.

- Press the knob and while still pressing turn it counter-clockwise from position (1) to position (2)

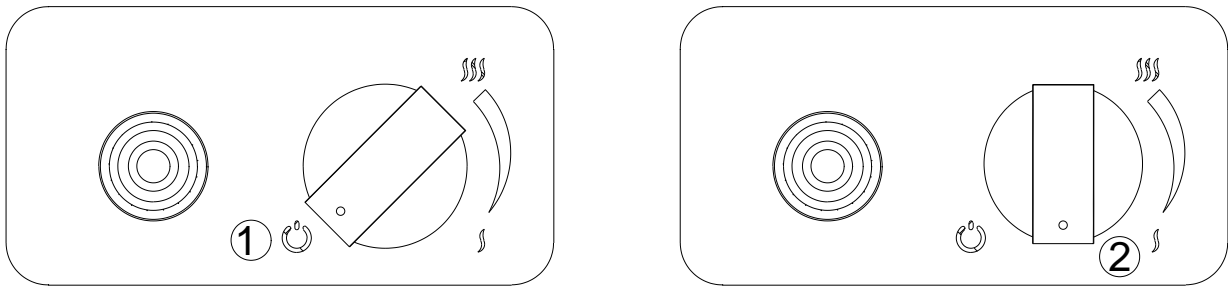


Fig 10 – Turning on the device

- While keeping the knob still pressed start the flame by pressing the ignition button (3).

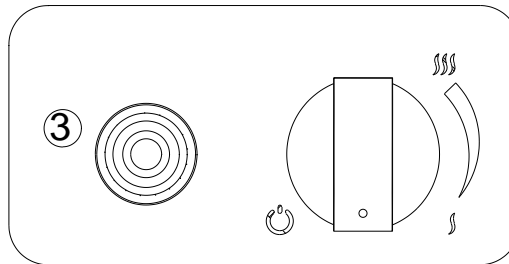


Fig 11 – Pressing the on button

- A spark will appear which ignites the main burner on the minimum flame height. If the flame did not ignite repeat this process 2-3 times. This will be required especially when you have replaced and installed a new LPG gas cylinder.
- When the flame is ignited keep holding the knob for around 5 seconds until the thermo-couple, which will keep the main valve in an open position, warms up.
- You may now release the knob. If however the flame is extinguished repeat the process once again until a stable flame is achieved.

WARNING!!! After 2-3 unsuccessful attempts terminate and check the connections. Try again in 10 minutes. If the installed gas bottle is new or the fireplace has not been used for a longer period the first thing that needs to be done is to release air from the gas linkage. In this case conducting a few attempts will be needed until the flame is ignited.

4.2 Regulation of the flame size

- When the flame is burning the desired height of the flame may be adjusted and regulated by turning the knob clockwise or counter-clockwise.
- To achieve a higher flame turn the knob counter-clockwise to “Hi” position. To achieve a lower flame turn the knob clockwise to “Lo” position.

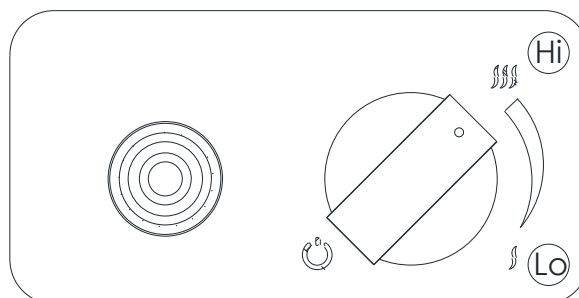


Fig 12 – Adjusting the flame high

4.3 Device shutdown

- To turn off the device, simultaneously press and turn the knob all the way clockwise (Fig 14). The gas supply will be cut and the flame on burner will be turned off.

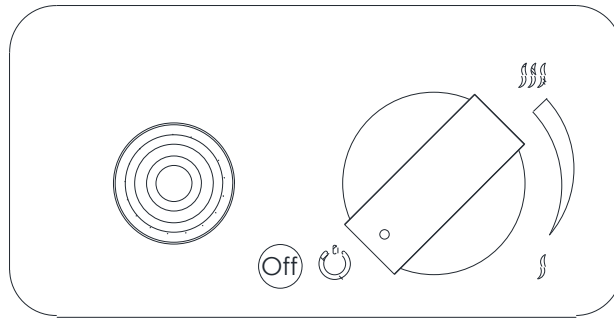


Fig 13 – Turning off the device

- Additionally, close also the valve on the gas cylinder.

4.4. Replacing the battery

If the battery is inserted incorrectly, the electronic ignitor may be irreparably damaged. Only replace the battery when the appliance has been completely switched off.

The battery is placed in the container located on the control panel next to the flame regulation knob.

- Unscrew the ignition button
- Remove the battery and place the new one into the container.

WARNING! Remember about proper polarization of the battery.

- Screw the cover of the battery container.

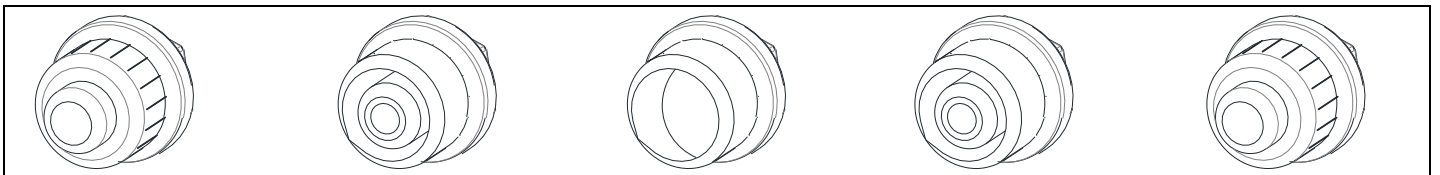


Fig 14 – Replacing the battery

5. TESTING

WARNING!!! NEVER TURN ON THE DEVICE IF THE CHARACTERISTIC SMELL OF GAS IS PERCEPTIBLE.

In the event of gas leakage, the appliance shall not be used or if alight, the gas supply shall be shut off and the appliance shall be investigated and rectified before it is used again. If you smell gas during the operation of the fireplace turn off the device immediately and cut off the gas supply from the gas cylinder by shutting its valve.

5.1 Checking for gas leaks.

- Check if all connections are airtight.
- To do that apply all connections with soapy water (or water with another foamy substance) or with a professional spray for leak detection.
- If air-bubbles are present that means the connection has a leak.
- Remove the leaks in the identified spaces.
- Check for leaks once again.
- After the inspection dry the inspected connections.
- The device may only be used again after all leaks are removed.
- **If the problem happens again please contact the dealer.**

5.2 Checking the flame appearance.

- Burn the FARO on max flame height and check the appearance of the flame.
- The flame should be evenly placed on the whole surface of the main burner.
- If visible gaps are present or there are substantial differences in flame height turn off the fireplace and after the device is cooled adjust the placement of decorative stones in such a way for them to be evenly placed on the whole surface of the main burner.
- Turn on the fireplace and check the appearance of the flame once again.

6. MAINTENANCE AND UPKEEP

We recommend cleaning the ignitor, thermocouple and the main burner before the device is started again after its been removed from storage during the winter period.

6.1. Testing and cleaning

Please check and clean if necessary:

- The main burner - if necessary, remove broken parts of stones and the existing dust.
- Thermocouple (if necessary, remove the existing sediment). In the event of visible damage contact your dealer.
- Igniter - gap between igniter and the burner should not be bigger than 5 mm.
- Glass shield – check for dirt smudges or possible scratches or cracks. If cracks are present replace the glass screen for a new one. To conduct this contact your dealer.
- Gas linkage and pressure regulator (in case their expiry date is invalid replace these ancillaries for new ones).
- If you encountered problems with the regulator, gas linkage, burner or regulation valves do not try to fix these parts. Contact a sales person, an authorised service or an importer in order to acquire spare parts. To ensure the device is working efficiently use only original spare parts.

6.2. Glass screens cleaning

Most of the existing types of smudges may be wiped with a dry cloth. In case of more substantial smudge you may use liquids normally applied to ceramic tiles or windows. Always dry the glass screen to avoid damp patches which could irreversibly embed into the glass.

WARNING!!! Avoid leaving fingerprints on the glass. They will be embedded into the glass and you will not be able to clean them.

7. WARRANTY

Planika Sp. z o.o. grants the Client guarantee of quality for the smooth operation of the goods specified on the sales document. The warranty is determined for a given period from the date of purchase (based on the warranty card together with the receipt of purchase). The warranty period starts at the moment of purchase of the original product by the first end user. Product may consist of several separate parts and different parts may be covered by a different warranty periods. The manufacturer gives 2 year warranty from date of purchase an insert for its smooth operation. Fireplace sealing is covered by warranty for a period of 1 year from date of purchase of the device. Guarantee does not cover decorative ceramic logs/stones and glass. The use of the fireplace insert and operating conditions must be in accordance with the user manual and with the regulations in force. The basis for the free repair covered by warranty is a warranty card. Warranty Card will expire without a date, stamps, signatures, as well as the amendments made by unauthorized persons. Customer entitlement under the guarantee will expire automatically: after the warranty period. Any damages caused by improper handling, storage, of poor maintenance, incompatible with the conditions laid down in the manual and due to other reasons not due to the fault of the manufacturer, will void the warranty. In the event of a complaint, always contact your dealer. Supplier will contact the company Planika, if it deems it necessary. Factory Warranty is valid for 2 years from the date of purchase. Details of the warranty are available on the <https://www.planikafires.com/warranty-cards/>

8. TROUBLESHOOTING

Warning! Montage, upkeep and service need to be conducted by a qualified professional with appropriate qualification, an appropriate company or the gas supplier.

PROBLEM	POSSIBLE CAUSE	CORRECTIVE ACTION
SMELL OF GAS	CLOSE THE VALVE ON THE GAS CYLINDER IMMEDIATELY. DO NOT USE THE DEVICE UNTIL LEAKS HAVE BEEN REMOVED.	
Leak detected at cylinder, regulator or other connection.	<ol style="list-style-type: none"> 1. A loose regulator linkage. 2. Leak in the gas linkage, in the regulator or on the gas knobs. 	<ol style="list-style-type: none"> 1. Tighten and test it. 2. Report this issue to service.
Burner does not ignite	<ol style="list-style-type: none"> 1. The bottle is empty. 2. Igniter linkage is not connected. 3. No ignition spark. 4. The igniter electrode is placed incorrectly opposite the igniter. 5. Gas nozzles are blocked. 6. Gas linkage is twisted. 7. Pressure regulator link is loose. 	<ol style="list-style-type: none"> 1. Replace Gas Cylinder. 2. Connect the igniter linkage. 3. Replace igniter. 4. Realign electrode and clear any surrounding debris from area. 5. Unmount burner, clean the nozzle. 6. Straighten the linkage. Keep the linkage away from the housing. 7. Tighten the link. Check for leaks.
Igniter Not Working	<ol style="list-style-type: none"> 1. Ignitor wire not connected. 2. Electrode misaligned on pilot burner 3. Igniter malfunction 4. The battery has run out 	<ol style="list-style-type: none"> 1. Ensure pilot electrode wire is connected. 2. Realign electrode and clear any surrounding debris from area. 3. Replace Igniter 4. Replace battery
Low efficiency, „cracking” sounds	<ol style="list-style-type: none"> 1. The bottle is empty. 2. The nozzles of the burner are blocked. 	<ol style="list-style-type: none"> 1. Replace Gas Cylinder. 2. Unmount the burner, clean the nozzle.
Thumping sounds made by the regulator.	The cylinder valve has opened rapidly.	Unfasten the bottle valve slowly.
A vivid/ bright orange and smoky flame of the burner.	Holes blocked in the apparatus producing the gas and air mixture.	Unmount the burner and clean/ unblock the apparatus' holes.

9. TECHNICAL SPECIFICATION

Appliance Category		I3P			I3B/P			I3+	
Reference gas		G31			G30			G30	G31
Inlet pressure	[mbar]	30	37	50	30	37	50	28-30	37
Injector diameter	[mm]	1,2			1,2			1,2	
Gas consumption	[kg/h]	0,4	0,45	0,5	0,4	0,45	0,5	0,4	0,45
Nominal Heat Input (Hi)	[kW]	4,5	5,0	6,4	5,1	6,4	7,4	5,1	5,1
Nominal Heat Input (Hs)	[kW]	5,0	5,5	7	5,6	7	8	5,6	5,6
Safety device	Thermocouple								
Gas control valve	BS190								
Flexible hose (1,4 m)	Ø9mm								

SELLER	
Name:	Seller's seal and signature
Address:	
Tel/fax:	
Date of sale:	
BUYER	
Name:	
Address:	
Tel/fax:	
Date of purchase:	
<p>The gas fireplace should be installed by a qualified Installer in accordance with the applicable national building regulations and in accordance with the guidelines contained in the Installation and User's Manuals.</p>	
<p>I hereby declare that having read the User's Manual and the Guarantee Conditions.</p>	
<p style="text-align: center;">Date and legible signature of the Buyer</p>	
INSTALLER	
Name:	
Address:	
Tel/fax:	
Date of commissioning:	
<p>I hereby declare that the gas fireplace installed by my Company has been installed in accordance with the applicable building regulations and in accordance with the guidelines contained in the Installation and User's Manuals.</p> <p>The installed gas fireplace is ready for safe operation.</p>	
<p style="text-align: right;">Installer's seal and signature</p>	

ES IST OBLIGATORISCH, DIESE ANLEITUNG ZU LESEN UND AUFZUBEWAHREN

INHALTSVERZEICHNIS

1.	EINLEITUNG.....	21
2.	SICHERHEITSHINWEISE	22
2.1	Sicherheitshinweise für die Verwendung der Gasflaschen.....	23
3.	INSTALLATION	24
3.1.	Inhalt des Kartons	24
3.2.	Auspacken und Einbau	25
3.3.	Installation von Rädern	25
3.4.	Einbau des Glasschirms.....	26
3.5.	Montage der Gasflasche	26
3.5.1.	Einbau des Gasgestänges und Austausch der Gasflasche.....	27
3.5.2.	Austausch des Reglers.....	30
4.	BENUTZERHANDBUCH	31
4.1.	Inbetriebnahme des Geräts	31
4.2.	Regulierung der Flammengröße	32
4.3.	Ausschalten des Geräts	33
4.4.	Auswechseln der Batterie	33
5.	TESTEN	33
5.1.	Prüfen auf Gaslecks.....	34
5.2.	Überprüfen des Flammenbildes.....	34
6.	WARTUNG UND INSTANDHALTUNG.....	34
6.1.	Prüfung und Reinigung.....	34
6.2.	Reinigung von Glasbildschirmen	35
7.	GARANTIE.....	35
8.	FEHLERSUCHE.....	36
9.	TECHNISCHE SPEZIFIKATION	36

1. EINLEITUNG

Der Kamin KF 22 ist ein dekoratives Gasgerät mit Brennstoffeffekt, das nur für den Gebrauch im Freien oder in gut belüfteten Räumen bestimmt ist. Es ist obligatorisch, sich mit der nachstehenden Installations- und Bedienungsanleitung vertraut zu machen, bevor man sich an die Installation und den Betrieb des Kamins KF 22 macht. Diese Anleitung ist während der gesamten Lebensdauer des Geräts aufzubewahren.

CE Konformitätserklärung

Hiermit erklären wir, dass sowohl das Design als auch die Konstruktion eines von Planika Sp. z o.o. (mit Sitz in Bydgoskich Przemysłowców 10 85-862 Bydgoszcz, Polen) hergestellten Gasheizgerätes der Verordnung (EU) 2016/462 des Europäischen Parlaments und des Rates vom 9. März 2016 (GAR) über Gasverbrauchseinrichtungen entspricht.

Produkt: Terrassenheizgeräte

Typ: KF 22

Verordnung: 2016/426

Normen: PN-EN 14543:2017-09

Die benannte Stelle: Kiwa Nederland B.V, Wilmersdorf 50, P.O. Box 137, 7300 AC APELDOORN, The Netherland (NB0476) hat auf der Grundlage der EU-Baumusterprüfung (Baumuster) - Modul B gemäß Anhang III, Punkt 1 der oben genannten Verordnung die EU-Baumusterprüfbescheinigung Nr. 19GR0374_01 am 04/06/2021 ausgestellt.

Die Produktionsüberwachung im Modul C2 wird durch das Institut für Erdöl und Erdgas - Nationales Forschungsinstitut, PL 31-501 Kraków, ul. Lubicza (NB1450) und NR 25 des Überwachungszertifikats Nr. 1450-GAR-027 am 21. Oktober 2021 sek. bis 10/06/2022 durchgeführt

Das Qualitätskontrollsystem des Unternehmens garantiert, dass die serienmäßig hergestellten Geräte die wesentlichen Anforderungen der geltenden Richtlinien und Verordnungen sowie die darin enthaltenen Normen erfüllen. Diese Erklärung wird ungültig, wenn an dem Gerät ohne vorherige schriftliche Zustimmung von Planika Änderungen vorgenommen werden.

 **PREZES ZARZĄDU**
Jarosław Dąbrowski

Chairman of the Board

Jarosław Dąbrowski

2. SICHERHEITSHINWEISE

- **Lesen Sie die Anleitung vor dem Gebrauch. Bewahren Sie die Anleitung zum späteren Nachschlagen auf.**
- Nur für den Gebrauch im Freien oder in gut belüfteten Räumen. Die Verwendung dieses Geräts in geschlossenen Räumen ist GEFÄHRLICH und wird VERBOTEN.
- In einem gut belüfteten Raum muss mindestens 25 % der Oberfläche offen sein. Die Fläche ist die Summe der Wandoberflächen.

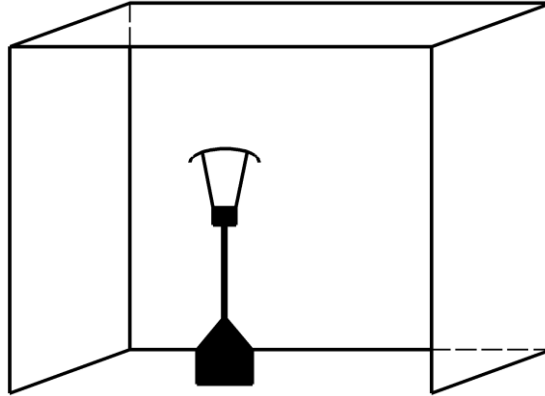


Abb. 1 – Mindestlüftungsfläche

- Bewegen Sie das Gerät nicht, wenn es in Betrieb ist.
- Schließen Sie das Ventil an der Gasflasche oder am Regler, bevor Sie das Gerät bewegen.
- Bei starkem Wind müssen Vorkehrungen gegen das Umkippen des Gerätes getroffen werden.
- Die Verwendung des Geräts und die Lagerung der Gasflasche müssen gemäß den geltenden Vorschriften erfolgen.
- Der FARO-Kamin sollte jährlich gemäß der unten stehenden Installationsanleitung sowie den geltenden nationalen und lokalen Gesetzen zur Gassicherheit (Installation und Verwendung) installiert und kontrolliert werden.
- Es ist zu prüfen, ob die Angaben auf der Produktafel mit der örtlichen Gasart und dem Druck übereinstimmen.
- Verändern Sie nicht die Struktur des Geräts oder seiner abgedichteten Elemente und verändern Sie nicht die Standardeinstellungen des FARO-Kamins.
- Legen Sie keine zusätzlichen Imitationsblöcke oder glühende Kohlestücke auf den Brenner oder in die Brennkammer.
- Ein CO₂- oder Pulverfeuerlöscher muss in der Nähe des Geräts platziert werden.
- Beim ersten Anzünden muss der FARO-Kamin einige Stunden lang auf höchster Stufe brennen, damit die Elemente die richtige Temperatur erreichen und die Reste von Farbe, Lack und Schmiermittel verdampfen können.
- FARO wurde für dekorative Zwecke entwickelt. Die Oberfläche des FARO-Kamins einschließlich der Glasscheiben kann heiß werden (bis zu 100 Grad Celsius), mit Ausnahme der Seitenwände des Geräts und des Bedienfelds.

WARNUNG!!! Leicht zugängliche Teile des Geräts können sehr heiß sein. Halten Sie Kinder von dem Gerät fern.

- Wenn der FARO in Betrieb ist, müssen Glasscheiben angebracht werden.
- Dieses Gerät muss während des Gebrauchs von brennbaren Materialien ferngehalten werden. Stellen Sie keine brennbaren Materialien in einem Abstand von 0,3 m zum FARO und 1 m über dem Gerät auf (Abb. 2).

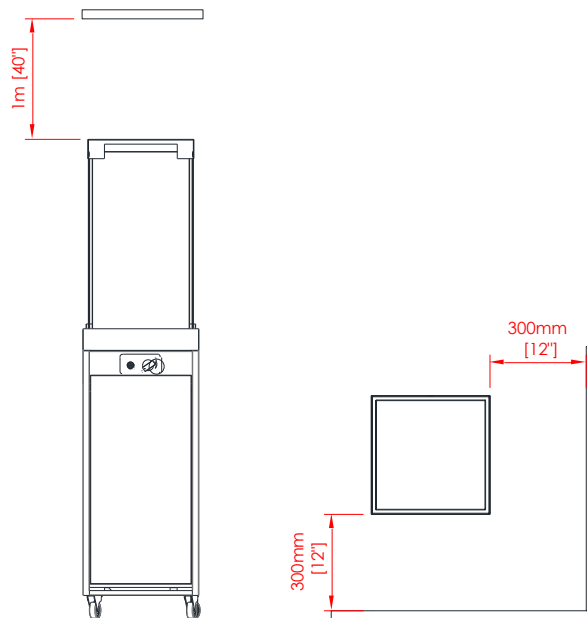


Abb. 2 – Mindestabstände

- Wenn der FARGO-Kamin eingeschaltet ist, darf er nicht dem Regen ausgesetzt werden.
- Wenn der FARGO nicht benutzt wird, ist er vor Witterungseinflüssen zu schützen und das Hauptventil der Gasflasche ist abzdrehen.
- Wenn der FARGO längere Zeit nicht benutzt wird (z. B. im Winter), empfehlen wir Ihnen, ihn in einem Innenraum zu lagern.
- Alle Teile des FARGO-Kamins sind aus schmutzabweisendem Material gefertigt.
- Lassen Sie einen eingeschalteten FARGO niemals unbeaufsichtigt.
- Der FARGO-Kamin muss an einem für Kinder, unbefugte Personen oder Tiere unzugänglichen Ort aufgestellt werden, damit der direkte Kontakt mit der Flamme oder den heißen Teilen des Geräts ausgeschlossen ist.
- Bei starkem Wind muss der FARGO-Kamin sofort ausgeschaltet werden und es muss abgewartet werden, bis der starke Wind abgezogen ist.
- Bei der Feststellung von Gasaustritt müssen sowohl die Feuerstelle als auch das Hauptventil der Gasflasche abgestellt werden.
- Nach dem Gebrauch ist das Ventil der Gasflasche abzdrehen.
- Eine salzige Meerwasserumgebung beschleunigt den Korrosionsprozess und trägt zur Beschädigung des Kamins bei

2.1 Sicherheitshinweise für die Verwendung der Gasflaschen.

- Verwenden Sie nur die vom Hersteller angegebene Gasart und den angegebenen Druck.
- Wechseln Sie die Gasflasche in einem gut belüfteten Bereich, entfernt von jeder Zündquelle (Kerzen, Zigaretten, andere flammenerzeugende Geräte).
- Die Lüftungsöffnungen des Flaschengehäuses dürfen nicht blockiert werden.
- Bei einem Gasaustritt darf das Gerät nicht benutzt werden, und wenn es brennt, ist die Gaszufuhr zu unterbrechen und das Gerät zu untersuchen und zu reparieren, bevor es wieder benutzt wird.
- Die Gasflaschen sollten immer in einer vertikalen Position platziert werden - während des Gebrauchs und des Transports.

- Bewahren Sie die Gasflasche immer an einem leicht zugänglichen Ort auf, damit sie sofort abgestellt werden kann.
- Während des Installationsvorgangs darf keine offene Flamme oder ein entzündeter Gegenstand in die Nähe der Gasflasche gelangen.
- Undichte Stellen sollten mit Hilfe einer Reinigungsflüssigkeit und Wasser aufgespürt werden. Wenn sich an der Oberfläche Blasen bilden, bedeutet dies, dass ein Leck vorhanden ist.
- Verwenden Sie immer einen Druckregler zwischen der Gasflasche und dem Gerät. Ersetzen Sie den Druckregler alle 5 Jahre. Die zulässigen Drücke sind: 30 mbar, 37 mbar (empfohlen), 50 mbar. Verwenden Sie nur Druckminderer, die der europäischen Norm EN16129 entsprechen.
- Verwenden Sie nur zugelassene und zertifizierte Gasanschlussgestänge. Ersetzen Sie das Gestänge alle 2 Jahre.
- Prüfen Sie den flexiblen Schlauch mindestens einmal im Monat und bei jedem Flaschenwechsel. Zeigt er Anzeichen von Rissen, Rissbildung oder sonstiger Verschlechterung, muss er gegen einen neuen Schlauch gleicher Länge und Qualität ausgetauscht werden.
- Die Gasflasche darf nicht direkt an das Gerät ohne Regler angeschlossen werden.
- Das Rohr oder der flexible Schlauch muss innerhalb der vorgeschriebenen Intervalle ausgetauscht werden.
- Verwenden Sie nur die Gasart und den Flaschentyp, die in dieser Anleitung angegeben sind.
- Das elastische Verbindungsstück zwischen Gas und Feuerstätte ist von scharfen Kanten und heißen Oberflächen fernzuhalten. Vermeiden Sie Biegungen und Verdrehungen der elastischen Verbindung auf ihrer gesamten Länge.
- Denken Sie daran, dass die Flüssiggasflasche an einem gut belüfteten Ort gelagert werden sollte. Flüssiggas ist schwerer als Luft und seine Ansammlung in der Nähe der Bodenoberfläche kann ein explosives Gemisch erzeugen.
- Die Gasflasche muss geschlossen werden, wenn der Kamin nicht benutzt wird.
- Das Füllen der Gasflaschen ist an zertifizierte Gasfüllstationen zu vergeben.
- Der Austausch von leeren gegen volle Gasflaschen darf nur an zugelassenen Stellen vorgenommen werden.

3. INSTALLATION

3.1. Inhalt des Kartons

- 1x kompletter FARO-Kamin
- 4x gehärtete Glasscheiben
- 4x Glasecke
- 8x Glas-Silikonschlauch
- 1x Beutel mit Dekosteinen
- 4x Räder
- 1x AAA-Batterie
- 1x 1,4 Meter flexibler Schlauch Ø9mm - installiert
- 1x Druckregler (37mbar) - eingebaut
- 1x Schraubenschlüssel
- 1x Installationshandbuch und Gebrauchsanweisung

3.2. Auspacken und Einbau

- Der Inhalt des Kartons muss vorsichtig aus der Schaumstoffolie ausgepackt werden.
- Entfernen Sie die Beutel mit den Dekosteinen aus dem Brennerbehälter und legen Sie diese beiseite.
- Ziehen Sie vorsichtig die in Pappe eingewickelte Glasscheiben heraus, die sich im Inneren des Geräts befinden.
- Überprüfen Sie die Vollständigkeit der Elemente anhand der Inhaltsliste.
- Vergewissern Sie sich, dass weder das Gerät noch seine Bestandteile während des Transports beschädigt wurden (falls dies der Fall ist, benachrichtigen Sie den Lieferanten).
- Stellen Sie den FARO auf einer ebenen, gepflasterten Fläche außerhalb des Gebäudes auf, vorzugsweise am Ort der endgültigen Installation. Lassen Sie an der Seite des Geräts, an der sich das Bedienfeld befindet, ausreichend Platz (mindestens 1 m).
- Die Dekosteine sind gleichmäßig um das Reservoir herum zu verteilen, um den Brenner des Kamins vollständig zu bedecken.

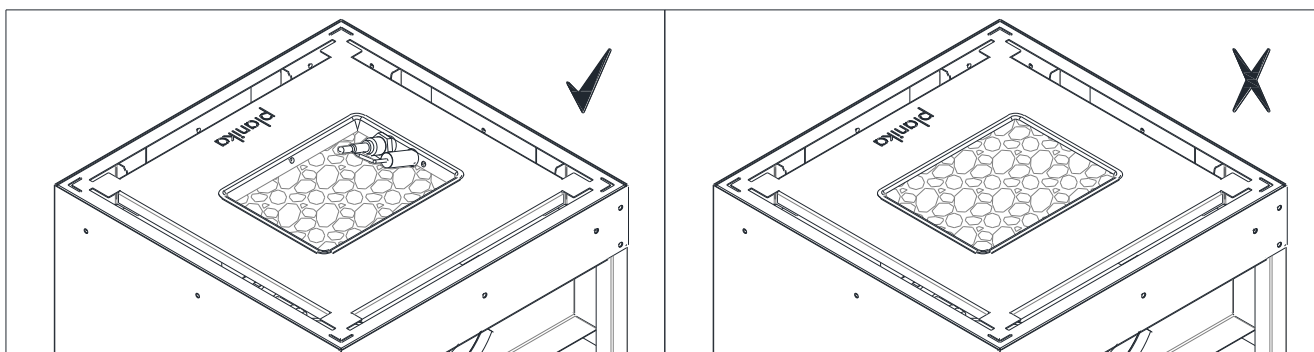


Abb. 3 – Dekorative Steine auf dem Brenner verteilt

3.3. Installation von Rädern

	<p>Nehmen Sie die Tür vorsichtig ab, indem Sie sie nach oben und dann nach außen anheben. Stellen Sie den Kamin mit der Öffnung nach oben auf.</p> <p>Achtung Schützen Sie das Gerät vor Kratzern, bevor Sie es aufstellen</p>
	<p>Stecken Sie die Radschraube durch das Loch im Boden des Geräts (1) und sichern Sie sie mit der Unterlegscheibe (2) und der Mutter (3) von innen. Benutzen Sie den Schraubenschlüssel (4), um das Rad festzuziehen.</p>
	<p>Montieren Sie 2 Räder mit Bremsen auf der Seite der Gasflaschentür und 2 Räder ohne Bremsen auf der gegenüberliegenden Seite. Stellen Sie das Produkt wieder in die senkrechte Position</p>

Abb. 4 – Einbau der Räder

3.4. Einbau des Glasschirms

- Entfernen Sie vorsichtig Pappe und Schaumstoffolie von den Glasschirmen.
- Entfernen Sie alle Verunreinigungen von den Glasschirmen, die beim Betrieb des FARO auf dem Glas einbrennen könnten (insbesondere Fingerabdrücke).
- Schieben Sie die Glas-Silikonschläuche auf die dafür vorgesehenen Elemente (Detail) und montieren Sie die Glasschirme in die entsprechenden
- Montieren Sie die Ecken des Glasschildes auf dem Glas (Detail) und setzen Sie dann die Metallhaube auf.
- Entfernen Sie die Glasabdeckung nur im Falle einer Beschädigung des Glases.

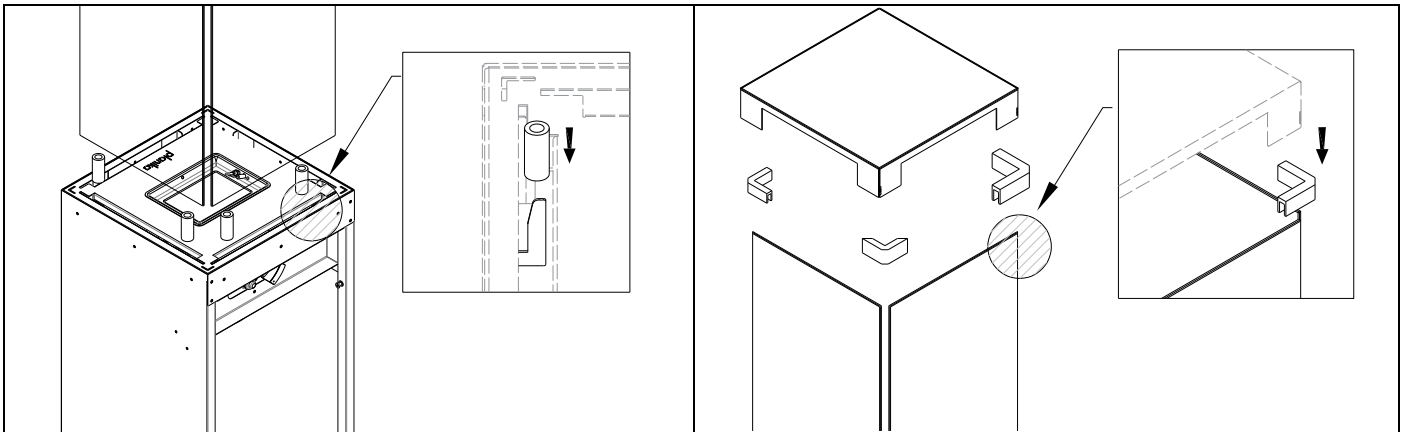


Abb. 5: Einbau des Glases in die Schlitze und der Metallhaube auf dem Glas

3.5. Montage der Gasflasche

Das am Gerät angebrachte Gasgestänge ermöglicht es, die Gasflasche während des Austausches maximal 1 Meter von der angeschlossenen Schalttafel entfernt zu platzieren. Während des Betriebs ist die Gasflasche im Inneren des Geräts hinter leicht abnehmbaren Türen versteckt.

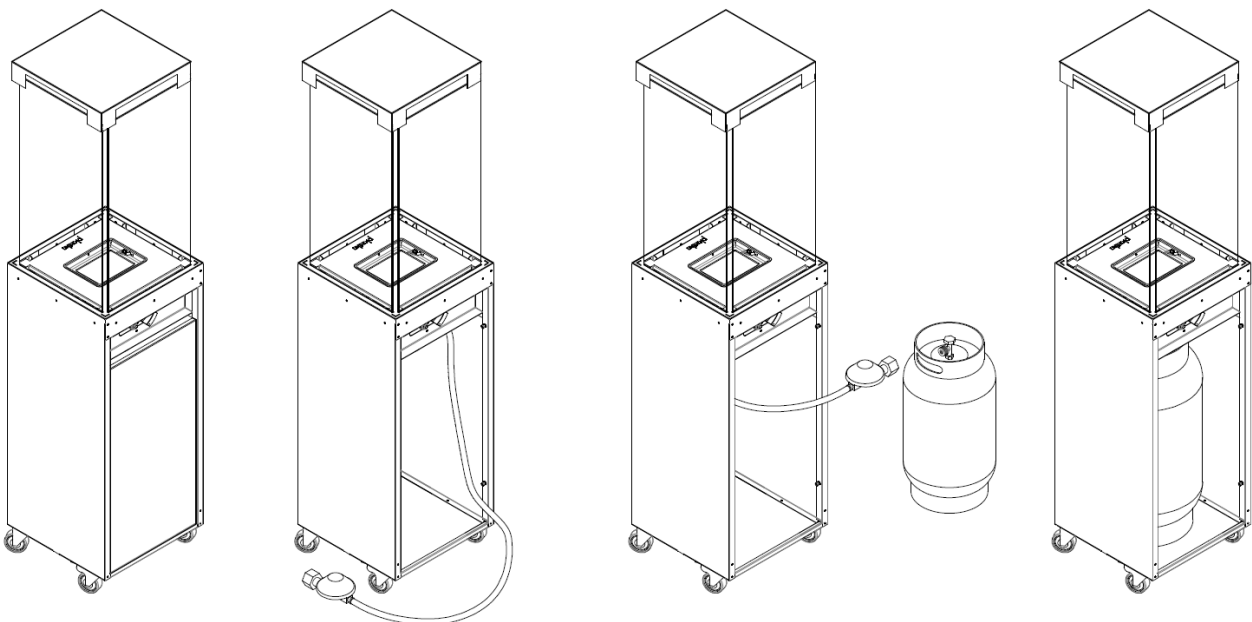


Abb. 6– Einbau der Gasflasche

- Das Gehäuse für die Gasflasche ist nicht luftdicht und muss richtig belüftet werden. Es ist mit einem oberen Lüftungsschlitz über dem Flaschenkopf (mit einer Fläche von mindestens 1/100 der Fläche des Gehäusebodens) und einem unteren Lüftungsschlitz (mit einer Fläche von mindestens 1/50 der Fläche des Gehäusebodens) ausgestattet.

WARNUNG!!! Vor dem Auswechseln der Gasflasche blockieren Sie bitte die Räder des Geräts.

3.5.1. Einbau des Gasgestänges und Austausch der Gasflasche

WARNUNG!!! Die Montage und Wartung muss von einem qualifizierten Fachmann, einer Firma oder dem Gaslieferanten durchgeführt werden.

Bevor mit dem Anschluss der Gasflasche an den Kamin begonnen wird, müssen alle Arbeiten zur korrekten Platzierung und Installation des FARO durchgeführt werden. Platzieren Sie das Gasgestänge entfernt von heißen oder scharfen Kanten und achten Sie darauf, dass es nicht verdreht ist.

Der FARO wird zusammen mit einem elastischen Gasgestänge geliefert, das an einem Ende mit dem Ventil des Geräts und am anderen Ende mit dem Gasregler verbunden ist und an die Gasflasche angeschlossen werden kann.

Druckminderertyp	Land	Anschlussart	Eingangsdurchmesser	Ausgang
Type A	FR, UK, IE	Clip On	27 mm	G1/4"-LH
Type B	ES, DK, NO, FI, EE, PT, CY	Clip On	35 mm	G1/4"-LH
Type C	PL, DE, LT, AL, BE, CZ, SK, SI, LV, HR, CH, UA, RS, MK, BiH	Twist On	23 mm	G1/4"-LH
Type D	IT, GR	Twist On	20 mm	G1/4"-LH

Wenn Ihre Gasflasche eine andere Einlassgröße hat oder einen anderen Regler benötigt, ersetzen Sie den mitgelieferten Regler durch den erforderlichen (separat auf dem Markt erhältlich).

Kontrollieren Sie das Verfallsdatum sowohl des Reglers als auch des Gasgestänges und tauschen Sie die Komponenten bei Bedarf (z. B. gebrochenes, durchgeschnittenes oder zerkratztes Gestänge) gemäß den nationalen Standards und Normen gegen neue aus.

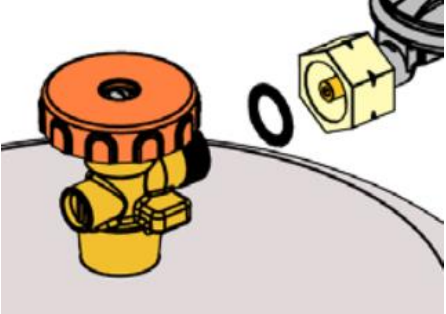
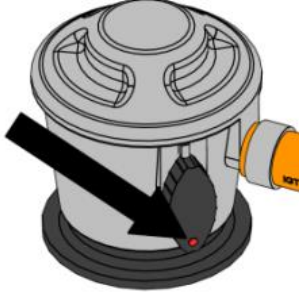

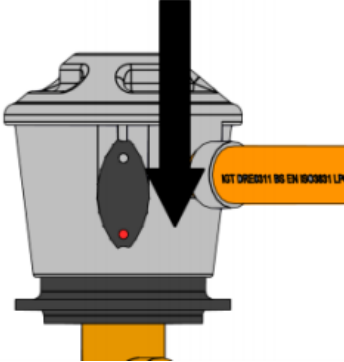


Der FARO-Kamin kann mit Metall-, Stahl- oder Verbundflaschen betrieben werden, die mit Propan-Butan-Gas oder Propangas gefüllt sind.

WARNUNG!!! Verwenden Sie NIEMALS einen instabilen Gasanschluss (ohne Regler).

Für Gasflaschen gibt es zwei Arten von Anschlüssen:

- **Twist-on-Anschluss:** Das Wichtigste ist die schwarze Dichtung. Prüfen Sie immer, ob die Dichtung vorhanden ist und ob sie beim Austausch der Gasflasche nicht beschädigt wurde. Einige Anschlüsse sind mit einem Knopf versehen, um sie zu befestigen, während für andere ein Schraubenschlüssel erforderlich ist. Ziehen Sie sie fest an (Linksgewinde). Achten Sie bei der Verwendung des Werkzeugs darauf, dass Sie die Verbindung nicht zu fest anziehen, da dies die Dichtung beschädigen kann.
- **Schnellverschluss:** Für diese Art von Anschluss ist kein Werkzeug erforderlich. Die Ein/Aus-Regelung des Gasanschlusses erfolgt über einen Schalter am Regler oder an einem speziellen Anschlussstück. Bei Verwendung eines Anschlusses mit einem Gewinderegler alten Typs ist besonders darauf zu achten, dass die Anschlussmutter mit einem Schraubenschlüssel fest angezogen ist.

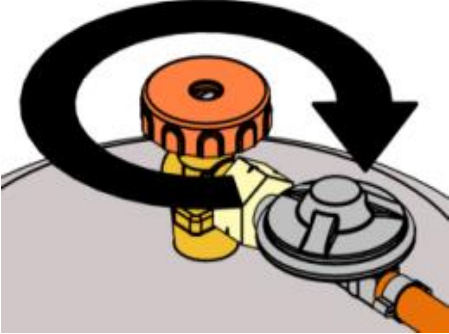
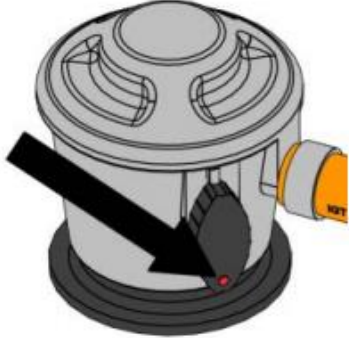

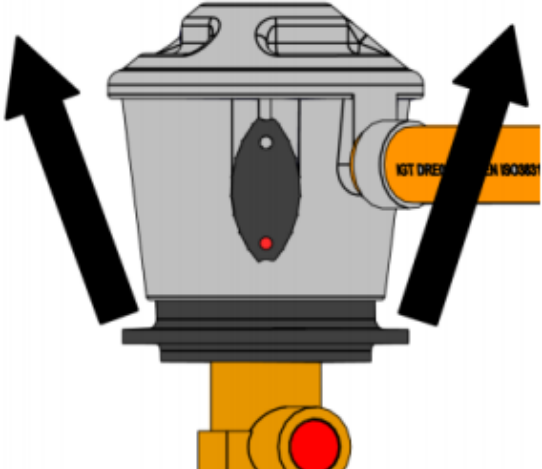
Gasflaschenanschluss

Twist-on	Schnellspanner
<ol style="list-style-type: none"> 1. Prüfen Sie, ob das Flaschenventil AUSGESCHALTET ist, indem Sie es im Uhrzeigersinn drehen. 2. Entfernen Sie die Schutzspitze und bewahren Sie sie zur späteren Verwendung auf. 	<ol style="list-style-type: none"> 1. Entfernen Sie die Schutzkappe. Verwenden Sie kein Werkzeug, lassen Sie die Spitze frei hängen.
<ol style="list-style-type: none"> 3. Prüfen Sie vor dem Anschließen, ob die schwarze Dichtung nicht beschädigt ist 	<ol style="list-style-type: none"> 2. Vergewissern Sie sich, dass alle Hähne am Gasgerät geschlossen sind und der Schalter in der Position OFF steht 
<ol style="list-style-type: none"> 4. Montieren Sie die Überwurfmutter an der Flasche mit Hilfe eines passenden Schlüssels oder des Verbindungsknopfes. (Linksgewinde) Die Gasflaschenanschlüsse dürfen nicht zu fest angezogen werden. 	<ol style="list-style-type: none"> 3. Setzen Sie den Schnellspanner auf das Ventil und drücken Sie ihn fest nach unten. Wenn der Schalter richtig ausgeschaltet ist, hören Sie ein charakteristisches Klicken. 
<ol style="list-style-type: none"> 5. Wenn der Gasfluss erforderlich ist, drehen Sie das Ventil der Flasche gegen den Uhrzeigersinn. 	<ol style="list-style-type: none"> 4. Um das Gas einströmen zu lassen, drehen Sie den Schalter in die Position ON (oder in das Flammenbild). 

WARNUNG!!! Überprüfen Sie den Gasanschluss auf Undichtigkeiten. Wenn etwas darauf hindeutet, dass ein Leck vorhanden ist (z.B. ein charakteristischer Gasgeruch), schließen Sie das Gasflaschenventil und schalten Sie das Gerät auf keinen Fall ein, bevor Sie das Leck beseitigt haben.

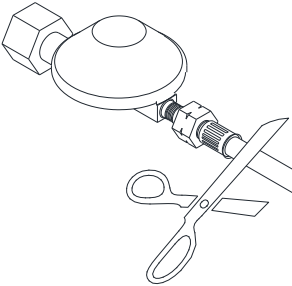
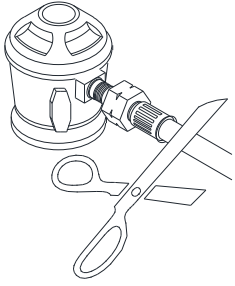
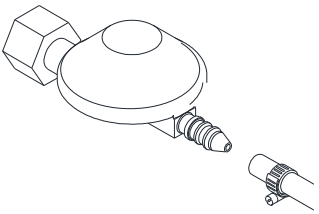
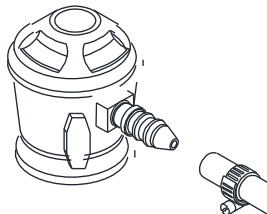
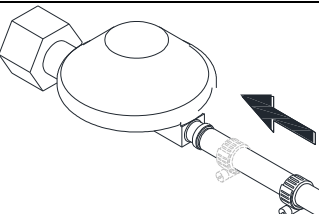
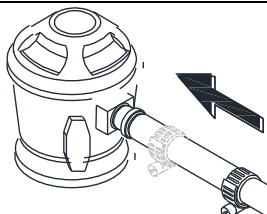
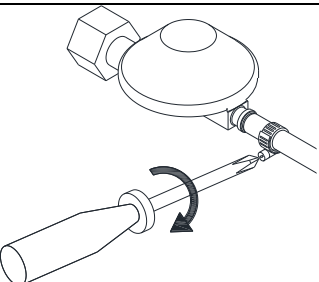
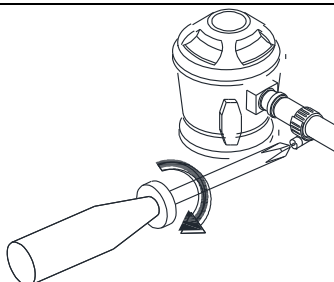
- Nach Beseitigung des Lecks darf das Gasflaschenventil wieder geöffnet werden.

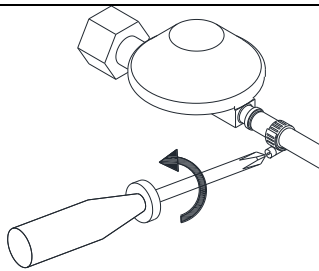
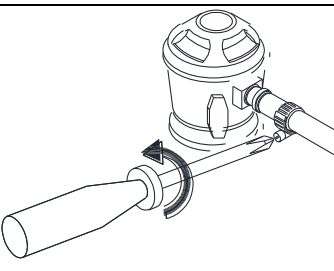
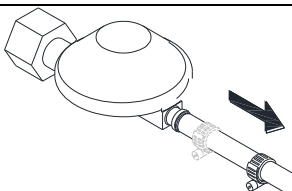
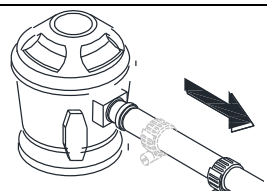
Das Abklemmen vom Gasregler

Twist-on	Schnellspanner
<p>1. Schalten Sie den FARO aus - stellen Sie ihn auf die Position OFF. Der Hauptbrenner muss ausgeschaltet werden.</p> <p>2. Drehen Sie das Flaschenventil in die Position OFF (im Uhrzeigersinn).</p> 	<p>2. Drehen Sie den Schalter in die Position OFF.</p> 
<p>3. NIEMALS den Regler (oder die Überwurfmutter) abmontieren, wenn das Flaschenventil geöffnet ist.</p> <p>4. Lösen Sie den Regler (oder die Überwurfmutter) mit Hilfe eines Schraubenschlüssels oder eines Verbindungsknopfes.</p> 	<p>3. Nehmen Sie den Schnellspanner ab, indem Sie den Schalter waagrecht drücken und gleichzeitig den gesamten Regler nach oben ziehen.</p> 
<p>5. Bringen Sie den Verschluss des Gestänges oder den Deckel der leeren oder teilweise gefüllten Flasche wieder an, wenn diese nicht benutzt wird.</p>	<p>4. ERSETZEN Sie die Verschlusskappe auf einer leeren oder teilweise gefüllten Flasche, wenn sie nicht benutzt wird.</p>

3.5.2. Austausch des Reglers

1. Sie müssen immer einen Druckregler zwischen der Gasflasche und dem Gerät verwenden. Ersetzen Sie den Druckregler alle 5 Jahre. Erlaubte Drücke: 30 mbar, 37 mbar (empfohlen), 50 mbar. Verwenden Sie nur Druckminderer, die der europäischen Norm EN16129 entsprechen.
2. Schalten Sie den FARO- die Position "OFF". Der Hauptbrenner muss ausgeschaltet werden.
3. Ziehen Sie den Regler von der Gasflasche ab (siehe Beschreibung oben).

	Twist-on	Schnellspanner
4. Schneiden Sie den angeschlossenen Druckminderer ab oder fahren Sie mit Schritt 4.1. fort, wenn Sie einen Druckminderer mit Klemmverbindung haben.		
5. Ersetzen Sie den Druckminderer durch einen neuen Druckminderer mit Klemmanschluss, indem Sie ein neues Gestänge an den Stutzen des Druckminderers anbringen.		
6. Schieben Sie die Klemme in den Anschlussstutzen.		
7. Ziehen Sie die Klemme mit einem Schraubendreher (Kreuzschlitz) oder einem Gabelschlüssel fest. WARNUNG! Bei sichtbaren Schäden an der Klemme diese durch eine neue ersetzen.		

	Twist-on connection	Schnellspanner
4.1. Lösen Sie die Metallklammer mit einem Schraubendreher (Kreuzschlitz) oder einem Gabelschlüssel.		
4.2. Bewegen Sie die Klemme vom Stutzen des Gasreglers weg und fahren Sie mit Schritt 5 fort.		

- FARO ist mit einem Anti-Kipp-Ventil ausgestattet, das das Gerät ausschaltet, wenn die Feuerstelle gekippt oder zusammengeklappt wird. Das Ventil unterbricht automatisch die Gaszufuhr zum Regler und löscht so die Flamme.

WARNUNG!!! Stellen Sie sicher, dass das Kippschutzventil immer in der oberen Position installiert ist.

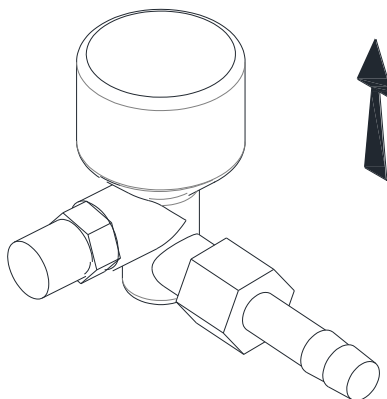


Abb. 7– Anti-Kipp-Sensor

4. BENUTZERHANDBUCH

Der FARO-Kamin verfügt über ein Regelventil mit eingebauter Zündung für den Hauptbrenner (ohne Zündflamme). Die Flammenhöhe des Hauptbrenners kann durch Drehen des Drehknopfes entsprechend eingestellt werden. Neben dem Drehknopf befindet sich ein elektrischer Zündknopf (mit einer AAA-Batterie betrieben). Das Bedienfeld befindet sich vorne direkt über der Tür des Gasflaschenfachs

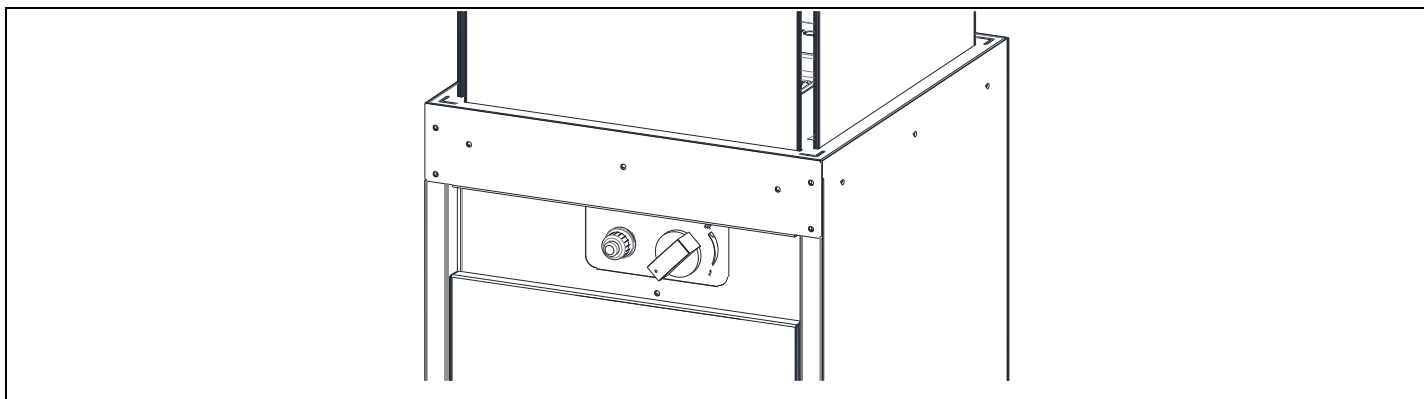


Abb. 8– Bedienfeld

4.1. Inbetriebnahme des Geräts

- Vergewissern Sie sich, dass sich der Drehknopf in der Position "OFF" (ganz im Uhrzeigersinn) befindet (Abb. 10).

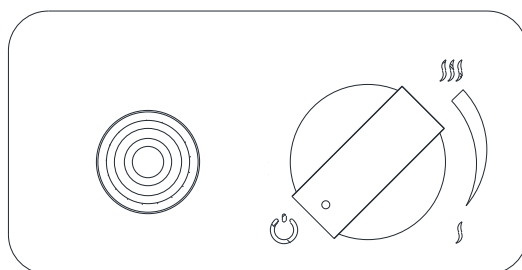


Abb. 9 – Aus-Stellung

- Öffnen Sie das Ventil an der Gasflasche.

- Drücken Sie den Knopf und drehen Sie ihn bei gedrückter Taste gegen den Uhrzeigersinn von Position (1) auf Position (2)

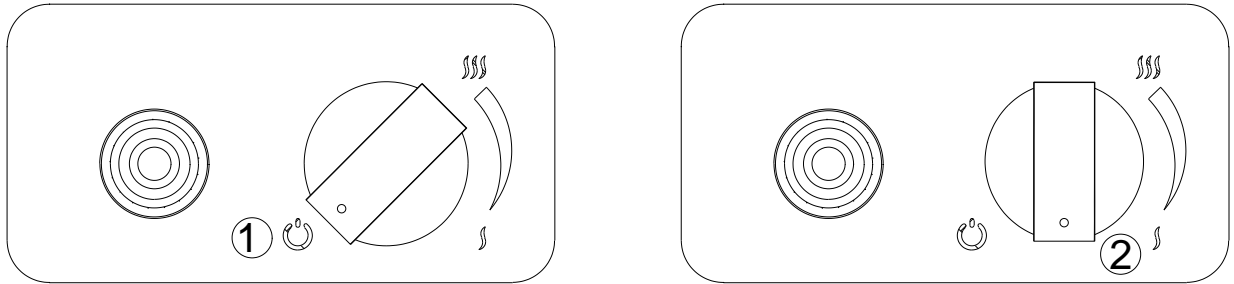


Abb. 10 – Einschalten des Geräts

- Halten Sie den Drehknopf gedrückt und zünden Sie die Flamme durch Drücken der Zündungstaste (3).

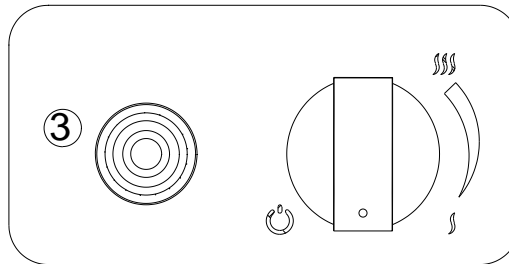


Abb. 11 – Betätigen der Einschalttaste

- Es entsteht ein Funke, der den Hauptbrenner auf der Mindestflammenhöhe zündet. Wenn die Flamme nicht gezündet hat, wiederholen Sie diesen Vorgang 2-3 Mal. Dies ist insbesondere dann erforderlich, wenn Sie eine neue Flüssiggasflasche ersetzt und installiert haben.
- Wenn die Flamme gezündet ist, halten Sie den Drehknopf etwa 5 Sekunden lang gedrückt, bis sich das Thermoelement, das das Hauptventil in geöffneter Stellung hält, erwärmt hat.
- Jetzt können Sie den Drehknopf loslassen. Sollte die Flamme dennoch erlöschen, wiederholen Sie den Vorgang noch einmal, bis eine stabile Flamme erreicht ist.

WARNUNG!!! Nach 2-3 erfolglosen Versuchen beenden Sie den Vorgang und überprüfen Sie die Anschlüsse. Versuchen Sie es in 10 Minuten erneut. Wenn die installierte Gasflasche neu ist oder der Kamin längere Zeit nicht benutzt wurde, muss als erstes die Luft aus dem Gasgestänge abgelassen werden. In diesem Fall sind einige Versuche erforderlich, bis die Flamme gezündet ist.

4.2. Regulierung der Flammengröße

- Wenn die Flamme brennt, kann die gewünschte Höhe der Flamme durch Drehen des Knopfes im oder gegen den Uhrzeigersinn eingestellt und reguliert werden.
- Um eine höhere Flamme zu erreichen, drehen Sie den Knopf gegen den Uhrzeigersinn in die Position "Hi". Um eine niedrigere Flamme zu erreichen, drehen Sie den Knopf im Uhrzeigersinn in die Position "Lo".

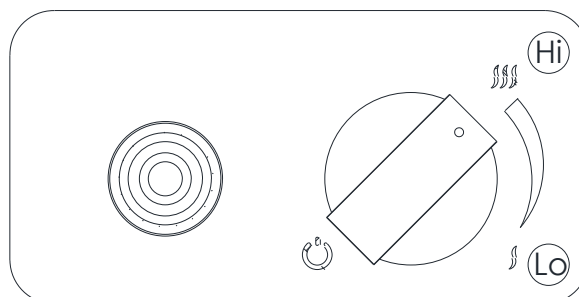


Abb. 12 – Adjusting the flame high

4.3. Ausschalten des Geräts

- Um das Gerät auszuschalten, drücken und drehen Sie den Knopf gleichzeitig bis zum Anschlag im Uhrzeigersinn (Abb. 14). Die Gaszufuhr wird unterbrochen und die Flamme am Brenner wird ausgeschaltet.

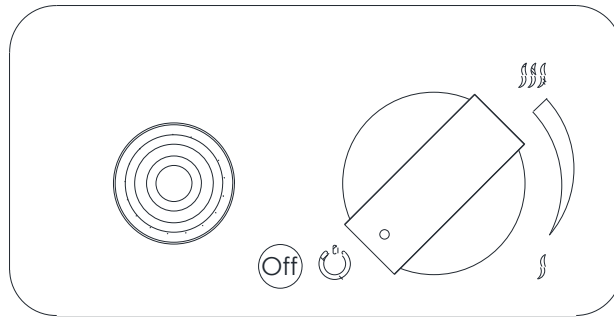


Abb. 13 – Ausschalten des Geräts

- Schließen Sie zusätzlich auch das Ventil der Gasflasche.

4.4. Auswechseln der Batterie

Wenn die Batterie falsch eingesetzt wird, kann der elektronische Zünder irreparabel beschädigt werden. Tauschen Sie die Batterie nur aus, wenn das Gerät vollständig ausgeschaltet ist.

Die Batterie befindet sich in dem Behälter, der sich auf dem Bedienfeld neben dem Flammenregulierungsknopf befindet.

- Schrauben Sie den Zündknopf ab
- Nehmen Sie die Batterie heraus und legen Sie die neue Batterie in den Behälter.

WARNUNG!!! Achten Sie auf die richtige Polarisierung der Batterie.

- Schrauben Sie den Deckel des Batteriefachs zu.

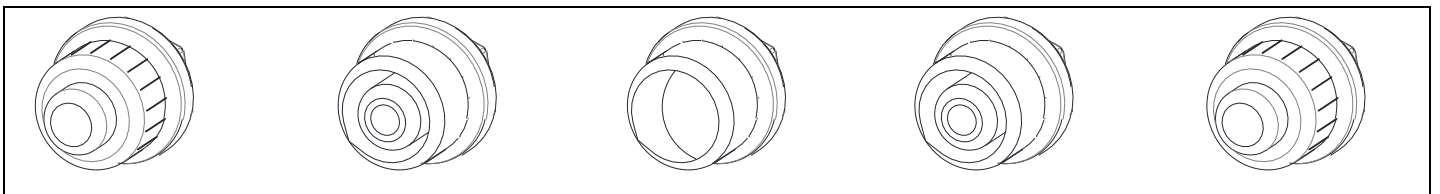


Abb. 14 – Auswechseln der Batterie

5. TESTEN

WARNUNG!!! SCHALTEN SIE DAS GERÄT NIEMALS EIN, WENN DER CHARAKTERISTISCHE GASGERUCH WAHRNEHMBAR IST.

Bei einem Gasaustritt darf das Gerät nicht benutzt werden, und wenn es brennt, muss die Gaszufuhr unterbrochen und das Gerät untersucht und repariert werden, bevor es wieder benutzt wird. Wenn Sie während des Betriebs des Kamins Gasgeruch wahrnehmen, schalten Sie das Gerät sofort aus und unterbrechen Sie die Gaszufuhr von der Gasflasche, indem Sie deren Ventil schließen.

5.1. Prüfen auf Gaslecks.

- Prüfen Sie, ob alle Anschlüsse luftdicht sind.
- Dazu alle Anschlüsse mit Seifenwasser (oder Wasser mit einer anderen schaumigen Substanz) oder mit einem professionellen Lecksuchspray einsprühen.
- Wenn Luftblasen vorhanden sind, bedeutet dies, dass die Verbindung ein Leck hat.
- Beseitigen Sie die Lecks an den ermittelten Stellen.
- Prüfen Sie erneut auf undichte Stellen.
- Nach der Inspektion trocknen Sie die inspizierten Verbindungen.
- Das Gerät darf erst wieder benutzt werden, wenn alle Lecks beseitigt sind.
- Sollte das Problem erneut auftreten, wenden Sie sich bitte an den Händler.

5.2. Überprüfen des Flammenbildes.

- Zünden Sie den FARO auf maximaler Flammenhöhe an und überprüfen Sie das Aussehen der Flamme.
- Die Flamme sollte gleichmäßig über die gesamte Oberfläche des Hauptbrenners verteilt sein.
- Wenn sichtbare Lücken vorhanden sind oder erhebliche Unterschiede in der Flammenhöhe bestehen, schalten Sie den Kamin aus und passen Sie nach dem Abkühlen des Geräts die Platzierung der Dekosteine so an, dass sie gleichmäßig auf der gesamten Oberfläche des Hauptbrenners platziert werden.
- Schalten Sie den Kamin ein und überprüfen Sie erneut das Aussehen der Flamme.

6. WARTUNG UND INSTANDHALTUNG

Wir empfehlen, den Zünder, das Thermoelement und den Hauptbrenner zu reinigen, bevor das Gerät wieder in Betrieb genommen wird, nachdem es über den Winter aus dem Lager genommen wurde.

6.1. Prüfung und Reinigung

Bitte prüfen und reinigen Sie bei Bedarf:

- Der Hauptbrenner - falls erforderlich, entfernen Sie zerbrochene Steinteile und den vorhandenen Staub.
- Thermoelement (falls erforderlich, entfernen Sie die vorhandenen Ablagerungen). Bei sichtbaren Schäden wenden Sie sich an Ihren Händler.
- Zünder - der Spalt zwischen Zünder und Brenner sollte nicht größer als 5 mm sein.
- Glasscheibe - auf Schmutzflecken oder mögliche Kratzer oder Risse prüfen. Wenn Risse vorhanden sind, ersetzen Sie die Glasscheibe durch eine neue. Wenden Sie sich dazu an Ihren Händler.
- Gasgestänge und Druckregler (falls ihr Verfallsdatum abgelaufen ist, ersetzen Sie diese Zubehörteile durch neue).
- Wenn Sie Probleme mit dem Regler, dem Gasgestänge, dem Brenner oder den Regelventilen haben, versuchen Sie nicht, diese Teile selbst zu reparieren. Wenden Sie sich an einen Verkäufer, einen autorisierten Kundendienst oder einen Importeur, um Ersatzteile zu erhalten. Verwenden Sie nur Original-Ersatzteile, um die Funktionstüchtigkeit des Geräts zu gewährleisten.

6.2. Reinigung von Glasbildschirmen

Die meisten der vorhandenen Verschmutzungen können mit einem trockenen Tuch abgewischt werden. Bei stärkeren Verschmutzungen können Sie Flüssigkeiten verwenden, die normalerweise für Keramikfliesen oder Fenster verwendet werden. Trocknen Sie den Glasbildschirm immer ab, um feuchte Flecken zu vermeiden, die sich irreversibel in das Glas einbrennen könnten.

WARNUNG!!! Vermeiden Sie es, Fingerabdrücke auf dem Glas zu hinterlassen. Sie werden in das Glas eingebettet und lassen sich nicht mehr entfernen.

7. GARANTIE

Planika Sp. z o.o. gewährt dem Kunden eine Qualitätsgarantie für den reibungslosen Betrieb der auf dem Verkaufsdokument angegebenen Ware. Die Garantie wird für einen bestimmten Zeitraum ab dem Kaufdatum festgelegt (auf der Grundlage der Garantiekarte zusammen mit der Kaufquittung). Die Garantiezeit beginnt zum Zeitpunkt des Kaufs des Originalprodukts durch den ersten Endverbraucher. Das Produkt kann aus mehreren separaten Teilen bestehen, und für die verschiedenen Teile können unterschiedliche Garantiezeiten gelten. Der Hersteller gewährt 2 Jahre Garantie ab Kaufdatum auf den reibungslosen Betrieb des Kamineinsatzes. Für die Abdichtung des Kamins gilt eine Garantie von 1 Jahr ab Kaufdatum des Geräts. Die Garantie erstreckt sich nicht auf dekorative keramische Scheite/Steine und Glas. Die Verwendung des Kamineinsatzes und die Betriebsbedingungen müssen mit der Bedienungsanleitung und den geltenden Vorschriften übereinstimmen. Die Grundlage für die kostenlose Reparatur im Rahmen der Garantie ist eine Garantiekarte. Die Garantiekarte verfällt ohne Datum, Stempel, Unterschrift sowie ohne Änderungen durch Unbefugte. Der Anspruch des Kunden auf die Garantie erlischt automatisch nach Ablauf der Garantiezeit. Bei Schäden, die durch unsachgemäße Handhabung, Lagerung, mangelhafte Wartung, Unvereinbarkeit mit den im Handbuch festgelegten Bedingungen und aus anderen Gründen, die nicht auf ein Verschulden des Herstellers zurückzuführen sind, entstehen, erlischt die Garantie. Im Falle einer Reklamation wenden Sie sich immer an Ihren Händler. Der Lieferant wird sich mit der Firma Planika in Verbindung setzen, wenn er es für notwendig erachtet. Die Werksgarantie gilt für 2 Jahre ab dem Kaufdatum. Einzelheiten zur Garantie sind auf der Website <https://www.planikafires.com/warranty-cards/> zu finden.

8. FEHLERSUCHE

WARNUNG!!! Montage, Wartung und Instandhaltung müssen von einem qualifizierten Fachmann mit entsprechender Qualifikation, einer entsprechenden Firma oder dem Gaslieferanten durchgeführt werden.

PROBLEM	MÖGLICHE URSACHE	ABHILFEMASSNAHME
GERUCH VON GAS	SCHLIESSEN SIE SOFORT DAS VENTIL VOM GASZYLINDER. DAS GERÄT NICHT BENUTZEN, BIS DIE UNDICHTE STELLE BESEITIGT IST.	
Leck an der Flasche festgestellt, Regler oder einem anderen Anschluss.	<ol style="list-style-type: none"> Ein lockeres Reglergestänge. Leck im Gasgestänge, im Regler oder an den Gasknöpfen. 	<ol style="list-style-type: none"> Festziehen und prüfen. Melden Sie dieses Problem dem Kundendienst.
Brenner zündet nicht	<ol style="list-style-type: none"> Die Flasche ist leer. Das Zündgestänge ist nicht angeschlossen. Kein Zündfunke. Die Zündelektrode ist nicht richtig gegenüber dem Zünder angebracht. Die Gasdüsen sind verstopft. Das Gasgestänge ist verdreht. Druckreglerverbindung ist lose. 	<ol style="list-style-type: none"> Gasflasche austauschen. Das Zündgestänge anschließen. Zünder austauschen. Richten Sie die Elektrode neu aus und entfernen Sie eventuelle Verunreinigungen aus dem Bereich. Brenner demontieren, Düse reinigen. Richten Sie das Gestänge aus. Halten Sie das Gestänge vom Gehäuse fern. Ziehen Sie das Gestänge fest. Auf Undichtigkeiten prüfen.
Zünder funktioniert nicht	<ol style="list-style-type: none"> Zünderdraht nicht angeschlossen. Elektrode am Zündbrenner falsch ausgerichtet Fehlfunktion des Zünder Die Batterie ist erschöpft 	<ol style="list-style-type: none"> Sicherstellen, dass der Zündelektrodendraht angeschlossen ist. Richten Sie die Elektrode neu aus und entfernen Sie alle umliegenden Ablagerungen aus dem Bereich. Zünder austauschen Batterie auswechseln
Geringer Wirkungsgrad, "knackende" Geräusche	<ol style="list-style-type: none"> Die Flasche ist leer. Die Düsen des Brenners sind verstopft. 	<ol style="list-style-type: none"> Gasflasche auswechseln. Den Brenner ausbauen und die Düsen reinigen.
Klopfende Geräusche des Reglers.	Das Flaschenventil hat sich schnell geöffnet. .	Öffnen Sie das Flaschenventil langsam.
Leuchtend orangefarbene und rauchige Flamme des Brenners.	Verstopfte Löcher in der Vorrichtung, die das Gas-Luft-Gemisch erzeugt.	Bauen Sie den Brenner aus und reinigen Sie die Öffnungen des Geräts.

9. TECHNISCHE SPEZIFIKATION

Appliance Category		I3P			I3B/P			I3+	
Referenzgas		G31			G30			G30	G31
Eingangsdruck	[mbar]	30	37	50	30	37	50	28-30	37
Durchmesser der Einspritzdüse	[mm]	1,2			1,2			1,2	
Gasverbrauch	[kg/h]	0,4	0,45	0,5	0,4	0,45	0,5	0,4	0,45
Nennwärmeleistung (Hi)	[kW]	4,5	5,0	6,4	5,1	6,4	7,4	5,1	5,1
Nennwärmeleistung (Hs)	[kW]	5,0	5,5	7	5,6	7	8	5,6	5,6
Sicherheitseinrichtung	Thermoelement								
Gasregelventil	BS190								
Flexibler Schlauch (1,4 m)	Ø9mm								

VERKÄUFER	
Name:	Siegel und Unterschrift des Verkäufers
Adresse:	
Tel/Fax:	
Verkaufsdatum:	
KÄUFER	
Name:	
Adresse:	
Tel/Fax:	
Kaufdatum:	
<p>Das Gerät muss von einem zertifizierten und qualifizierten Spezialist installiert werden, der über alle nach dem lokalen Recht erforderliche Qualifikationen verfügt. Außerdem soll das Gerät gemäß der in der Bedienungs- und Montageanleitung enthaltenen Anweisungen installiert werden.</p>	
<p>Hiermit erkläre ich, dass ich die Bedienungsanleitung und die Garantiebedingungen gelesen habe.</p>	
<p>Datum und lesbare Unterschrift des Käufers</p>	
INSTALLATEUR	
Name:	
Adresse:	
Tel/Fax:	
Datum der Inbetriebnahme:	
<p>Hiermit erkläre ich, dass die von meinem Unternehmen installierte Feuerstelle gemäß den geltenden Bauvorschriften und den in der Bedienungs- und Montageanleitung enthaltenen Anweisungen installiert wurde. Das installierte Gerät ist betriebsbereit.</p>	
<p>Siegel und Unterschrift des Installateurs</p>	

ES OBLIGATORIO LEER Y CONSERVAR ESTAS INSTRUCCIONES.

ÍNDICE DE CONTENIDOS

1.	INTRODUCCIÓN.....	39
2.	INSTRUCCIONES DE SEGURIDAD.....	40
2.1	Instrucciones de seguridad sobre el uso de las botellas de gas.....	41
3.	INSTALACIÓN.....	42
3.1.	Contenido de la caja.....	42
3.2.	Desembalaje e instalación	43
3.3.	Instalación de las ruedas.....	43
3.4.	Instalación de la pantalla de cristal.....	44
3.5.	Montaje de la botella de gas.....	44
3.5.1.	Instalación de la conexión de gas y sustitución de la bombona de gas.....	45
3.5.2	Sustitución del regulador	48
4.	MANUAL DEL USUARIO.....	49
4.1	Puesta en marcha del aparato	49
4.2	Regulación del tamaño de la llama	50
4.3	Apagado del aparato.....	51
4.4.	Sustitución de la pila	51
5.	PRUEBA	51
5.1	Comprobación de fugas de gas.....	52
5.2	Comprobación del aspecto de la llama.....	52
6.	MANTENIMIENTO Y CONSERVACIÓN	52
6.1	Comprobación y limpieza.....	52
6.2	Limpieza de las pantallas de cristal.....	53
7	GARANTÍA	53
8	SOLUCIÓN DE PROBLEMAS.....	54
9	TECHNICAL SPECIFICATION.....	54

1. INTRODUCCIÓN

La chimenea KF 22 es un aparato decorativo de gas de efecto combustible destinado únicamente a su uso en exteriores o en zonas ampliamente ventiladas. Es obligatorio familiarizarse con el siguiente manual de instalación y el manual de usuario antes de comprometerse a la instalación y uso de la chimenea KF 22. Este manual debe guardarse de forma segura durante toda la vida útil del aparato.

Declaración de conformidad CE

Por la presente declaramos que tanto el diseño como la construcción de un dispositivo de calefacción de gas fabricado por **Planika Sp. z o.o. (con domicilio social en Bydgoskich Przemysłowców 10 85-862 Bydgoszcz, Polonia)** Reglamento (UE) 2016/462 del Parlamento Europeo y del Consejo de 9 de marzo de 2016 (GAR) sobre los aparatos de gas.

Producto: Calentadores de patio

Tipo: KF 22


Reglamento: 2016/426

Normas: PN-EN 14543:2017-09

El organismo notificado: Kiwa Nederland B.V, Wilmersdorf 50, P.O. Box 137, 7300 AC APELDOORN, The Netherland (NB0476) sobre la base del examen de tipo UE (tipo de producción) - módulo B de acuerdo con el anexo III, punto 1 de la mencionada Del Reglamento emitió el certificado de examen de tipo UE N ° 19GR0374_01 el 04/06/2021

La supervisión de la producción en el módulo C2 se lleva a cabo por el INSTITUTO DE PETROLEO Y GAS - Instituto Nacional de Investigación, PL 31-501 Cracovia, calle Lubicza (NB1450) y NR 25 del certificado de supervisión No. 1450-GAR-027 el 21 de octubre de 2021 sec. hasta 10/06/2022

El sistema de control de calidad de la empresa garantiza que los dispositivos producidos en serie cumplen los requisitos esenciales de las Directivas y Reglamentos aplicables, así como las normas contenidas en ellos. Esta Declaración queda anulada si se realizan modificaciones en el dispositivo sin el previo consentimiento por escrito de Planika

 **PREZES ZARZĄDU**
Jarosław Dąbrowski

Chairman of the Board

Jarosław Dąbrowski

2. INSTRUCCIONES DE SEGURIDAD

- - Lea las instrucciones antes de utilizar el aparato. Conserve las instrucciones para futuras consultas.
- - Para uso al aire libre o en áreas ampliamente ventiladas solamente. El uso de este aparato en áreas cerradas es PELIGROSO y está PROHIBIDO.
- - Un área ampliamente ventilada debe tener un mínimo del 25 % de la superficie abierta. La superficie es la suma de la superficie de las paredes.

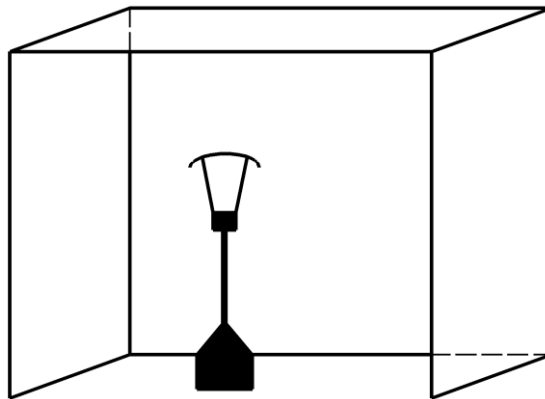


Fig 1 – Superficie mínima de ventilación

- No mueva el aparato cuando esté en funcionamiento.
- Cierre la válvula de la bombona de gas o el regulador antes de mover el aparato.
- En caso de viento violento se deben tomar precauciones para evitar que el aparato se incline.
- Este aparato debe ser utilizado, y la bombona de gas almacenada, de acuerdo con la normativa vigente.
- La chimenea de FARO debe ser instalada y controlada anualmente de acuerdo con el manual de instalación que se indica a continuación, así como con las leyes nacionales y locales vigentes relativas a la seguridad del gas (instalación y uso).
- Es necesario evaluar si los datos de la placa del producto cumplen con el tipo de gas y la presión locales.
- No cambie la estructura del aparato o sus elementos sellados ni modifique los ajustes por defecto de la chimenea FARO.
- No coloque bloques de imitación adicionales ni fragmentos de carbón encendido en el quemador o en la cámara de combustión.
- Es necesario colocar un extintor de CO₂ o de polvo cerca del aparato.
- Durante el primer encendido, la chimenea FARO debe arder al máximo nivel durante unas horas para que los elementos adquieran la temperatura correcta y para que los restos de pintura, laca y lubricante se evaporen.
- No mueva el aparato mientras esté funcionando.
- FARO ha sido diseñado con fines decorativos. La superficie de la chimenea de FARO, incluyendo las pantallas de cristal, puede calentarse (hasta 100 grados centígrados) a excepción de las paredes laterales del aparato y el panel de control.

!!!ADVERTENCIA!!! Las partes del aparato de fácil acceso pueden estar muy calientes. Mantenga a los niños alejados del aparato.

- Los paneles de vidrio deben ser instalados cuando el FARO esté en uso.
- Este aparato debe mantenerse alejado de materiales inflamables durante su uso. No coloque ningún material combustible a una distancia de 0,3 m de FARO y 1 m sobre el aparato (Fig. 2)

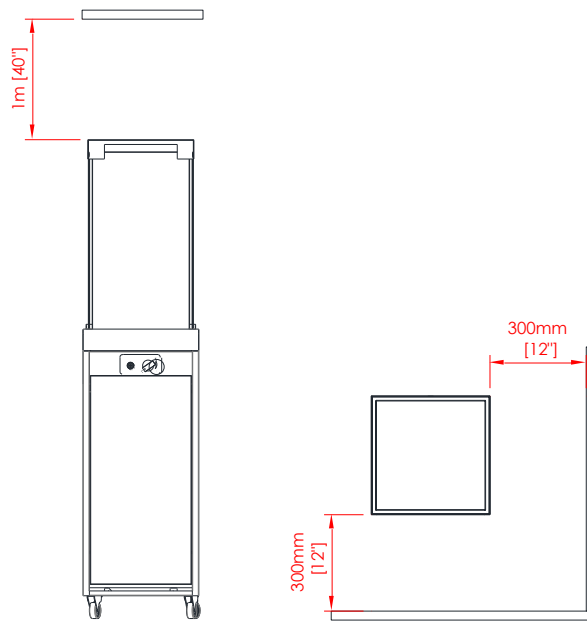


Fig 2 – Distancias mínimas

- Cuando la chimenea de FARO está encendida no debe estar expuesta a la lluvia.
- Cuando no se utilice, el FARO debe estar protegido de las condiciones atmosféricas y la válvula principal de la bombona de gas debe estar cerrada.
- Si el FARO no se utiliza durante un periodo de tiempo prolongado (por ejemplo, en invierno), le aconsejamos que lo guarde en el interior.
- Todas las partes de la chimenea de FARO están hechas de material resistente a las manchas.
- Nunca deje un FARO encendido sin supervisión.
- La chimenea de FARO debe ser instalada en un lugar inaccesible para los niños, personas no autorizadas o animales para que sea imposible el contacto directo con la llama o las partes calientes del aparato.
- En caso de viento fuerte, la chimenea de FARO debe ser apagada inmediatamente y se debe esperar hasta que pase el viento fuerte.
- En caso de notar cualquier tipo de fuga de gas, la chimenea y la válvula principal de la bombona de gas deben ser cerradas.
- Después del uso, cierre la válvula de la bombona de gas.
- El ambiente de agua de mar salada acelera el proceso de corrosión y contribuye al daño de la chimenea

2.1 Instrucciones de seguridad sobre el uso de las botellas de gas.

- Utilice únicamente el tipo de gas y la presión especificados por el fabricante.
- Cambie la bombona de gas en una zona ampliamente ventilada, lejos de cualquier fuente de ignición (velas, cigarrillos, otros aparatos que produzcan llamas).
- No obstruya los orificios de ventilación de la carcasa de la bombona.
- En caso de fuga de gas, no se utilizará el aparato o, si está encendido, se cortará el suministro de gas y se investigará y rectificará el aparato antes de volver a utilizarlo.

- Las bombonas de gas deben colocarse siempre en posición vertical - durante su uso y transporte.
- Guarde siempre la bombona de gas en un lugar de fácil acceso que permita su cierre inmediato.
- Durante el proceso de instalación no permita que una llama abierta o cualquier objeto encendido llegue a la bombona de gas.
- Las fugas deben detectarse con el uso de un líquido limpiador y agua. Si se forman burbujas en la superficie significa que existe una fuga.
- Utilice siempre un regulador de presión entre la botella de gas y el aparato. Sustituya el regulador de presión cada 5 años. Las presiones permitidas son: 30mbar, 37mbar (recomendado), 50 mbar. Utilice únicamente reguladores que cumplan la norma europea EN16129.
- Utilice únicamente un enlace de conexión de gas aprobado y certificado. Sustituya la conexión cada 2 años.
- Compruebe el tubo flexible al menos una vez al mes y cada vez que se cambie la botella. Si muestra signos de agrietamiento, división u otro deterioro, deberá cambiarse por una manguera nueva de la misma longitud y de calidad equivalente.
- No conecte la bombona de gas directamente al aparato sin regulador.
- La tubería o el tubo flexible deben cambiarse en los intervalos prescritos.
- Utilice únicamente el tipo de gas y el tipo de bombona especificados en estas instrucciones.
- La unión elástica que conecta el gas a la chimenea debe ser conducida lejos de bordes afilados y superficies calientes. Absténgase de doblar y torcer la conexión elástica en toda su longitud.
- Recuerde que la botella de GLP debe almacenarse en un lugar bien ventilado. El gas GLP es más pesado que el aire y su acumulación cerca de la superficie inferior puede generar una mezcla explosiva.
- La bombona de gas debe estar cerrada si no se utiliza la chimenea.
- El llenado de las bombonas de gas debe encargarse a estaciones de llenado de gas certificadas.
- La sustitución de las bombonas vacías por otras llenas debe realizarse únicamente en lugares autorizados.

3. INSTALACIÓN

3.1. Contenido de la caja

- 1 chimenea completa de FARO
- 4x pantallas de vidrio templado
- 4x Esquina de vidrio
- 8x Tubo de silicona de vidrio
- 1x bolsa de piedras decorativas
- 4x ruedas
- 1x batería AAA
- 1x manguera flexible de 1,4 metros Ø9mm - instalada
- 1x regulador de presión (37mbar) - instalado
- 1x llave inglesa
- 1x manual de instalación y manual de usuario

3.2. Desembalaje e instalación

- Hay que desenvolver con cuidado el contenido de las cajas de la lámina de espuma.
- Retire las bolsas con piedras decorativas del depósito del quemador y colóquelas lejos de él.
- Saque con cuidado el escudo de cristal envuelto en cartón colocado en el interior del aparato
- Compruebe la integridad de los elementos con la lista de contenidos.
- Asegúrese de que el aparato y sus elementos no han sido dañados durante el transporte (si lo fueran, notifíquelo al proveedor).
- Coloque el FARO en una superficie plana y pavimentada en el exterior del edificio, preferiblemente en el lugar de la instalación final. Deje espacio suficiente en el lado del aparato donde se encuentra el panel de control (mínimo 1 m).
- Las piedras decorativas deben ser esparcidas uniformemente alrededor del depósito para cubrir completamente el quemador de la chimenea.

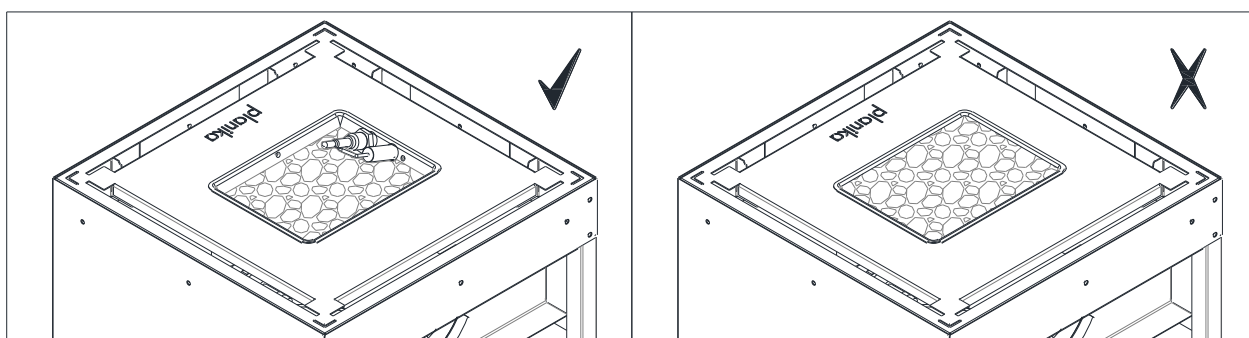


Fig 3 – Piedras decorativas dispuestas en el quemador

3.3. Instalación de las ruedas

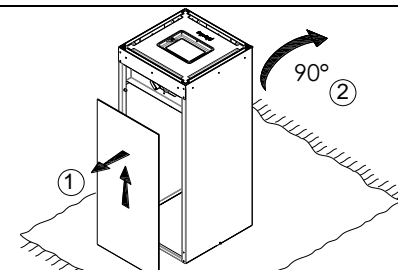
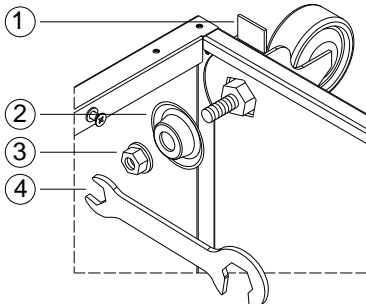
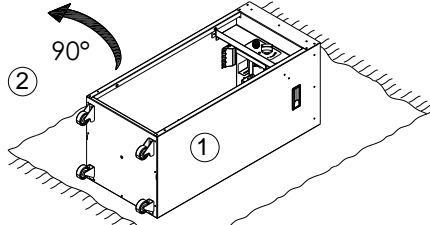
	<p>Retire suavemente la puerta levantándola hacia arriba y luego hacia el exterior. Coloque el hogar con la abertura hacia arriba.</p> <p>Advertencia Proteja la unidad de arañazos antes de colocarla.</p>
	<p>Introduzca el tornillo de la rueda por el orificio de la parte inferior del aparato (1) y fíjelo con la arandela (2) y la tuerca (3) desde el interior. Utilice la llave (4) para apretar la rueda.</p>
	<p>Monte 2 ruedas con freno en el lado de la puerta del cilindro de gas y 2 ruedas sin freno en el lado opuesto. Vuelva a colocar el producto en posición vertical.</p>

Fig 4 – Instalación de las ruedas

3.4. Instalación de la pantalla de cristal

- Retire con cuidado el cartón y la lámina de espuma de las pantallas de cristal.
- Retire de las pantallas de cristal todas las impurezas que pudieran quemarse en el cristal durante el funcionamiento del FARO (en particular, huellas dactilares).
- Deslizar los tubos de silicona de vidrio en los elementos dedicados (detalle) e instalar los escudos de vidrio en los correspondientes
- Montar las esquinas del protector de vidrio sobre el cristal (detalle) y luego instalar la cubierta metálica.
- Retire el protector de cristal sólo en caso de daños en el cristal.

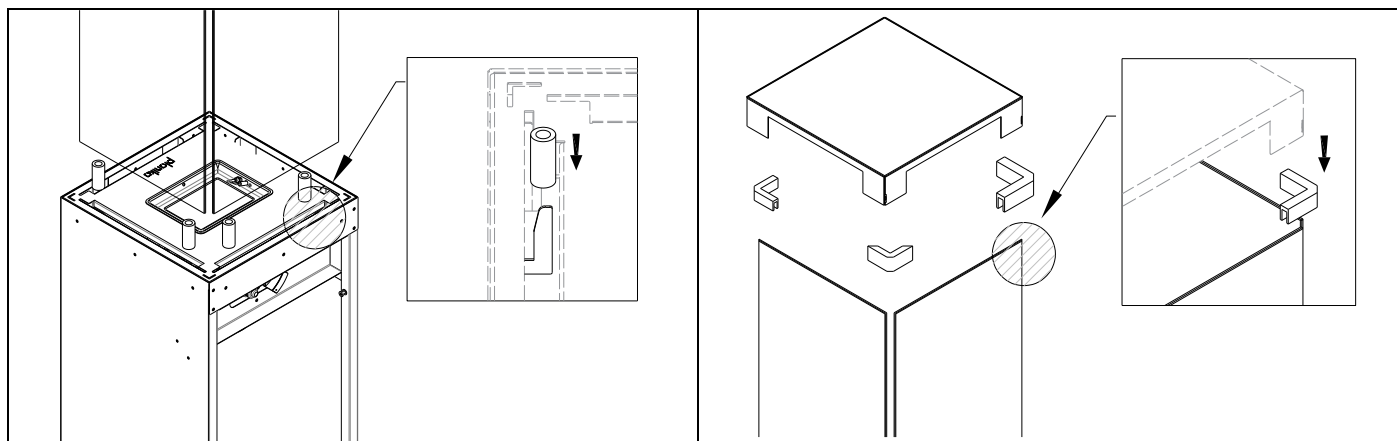


Fig 5- Instalación del cristal en las ranuras y de la campana metálica sobre el cristal

3.5. Montaje de la botella de gas

El montaje de la bombona de gas en el aparato permite colocar la bombona de gas a una distancia máxima de 1 metro del panel de control conectado durante su sustitución. Durante el funcionamiento, la bombona de gas queda oculta en el interior del aparato tras unas puertas fácilmente extraíbles.

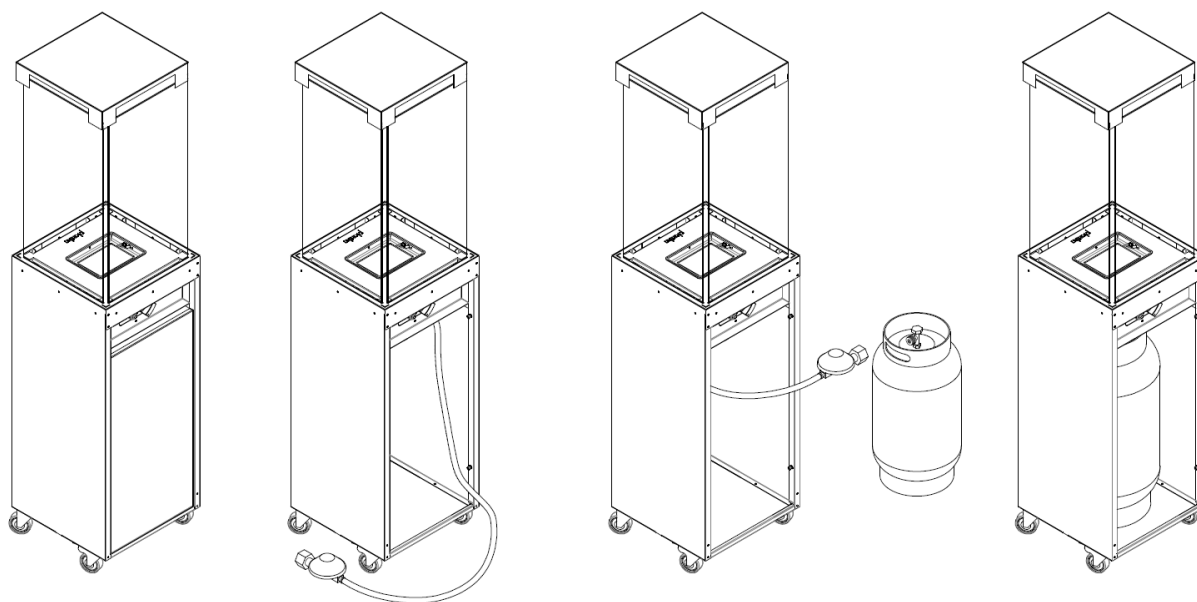


Fig 6- Instalación de la bombona de gas

- La carcasa de la botella de gas no es hermética y debe estar correctamente ventilada. Está equipado con una ranura de ventilación superior sobre la parte superior de la botella (de una superficie mínima de 1/100 de la superficie de la base de la carcasa) y una ranura de ventilación inferior (de una superficie mínima de 1/50 de la superficie de la base de la carcasa).

¡¡¡ATENCIÓN!!! Antes de sustituir la bombona de gas, bloquee las ruedas del aparato.

3.5.1. Instalación de la conexión de gas y sustitución de la bombona de gas

!!!ATENCIÓN!!! El montaje y el servicio deben ser realizados por un profesional cualificado, una empresa o el proveedor de gas.

Antes de proceder a la conexión de la bombona de gas a la chimenea, es necesario que toda la actividad relativa a la correcta colocación e instalación del FARO esté ya realizada. Coloque la conexión de gas lejos de bordes calientes o afilados y asegúrese de que no está torcida.

El FARO se suministra con una conexión de gas elástica que, en un extremo se conecta a la válvula del aparato y en el otro al regulador de gas, listo para ser conectado a la bombona de gas.

Tipo de reductor de presión	País	Tipo de conexión	Diámetro de entrada	Salida
Type A	FR, UK, IE	Clip On	27 mm	G1/4"-LH
Type B	ES, DK, NO, FI, EE, PT, CY	Clip On	35 mm	G1/4"-LH
Type C	PL, DE, LT, AL, BE, CZ, SK, SI, LV, HR, CH, UA, RS, MK, BiH	Twist On	23 mm	G1/4"-LH
Type D	IT, GR	Twist On	20 mm	G1/4"-LH

Si su cilindro de gas tiene un tamaño de entrada diferente o requiere un regulador diferente, sustituya el regulador incluido por el requerido (disponible por separado en su mercado local)

Hay que controlar la fecha de caducidad tanto del regulador como de la conexión de gas y si es necesario (por ejemplo: conexión rota, cortada, rayada) sustituir los componentes por otros nuevos según las normas y estándares nacionales.

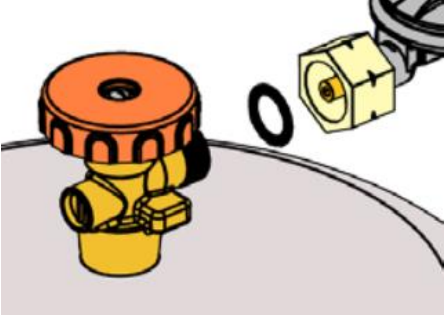
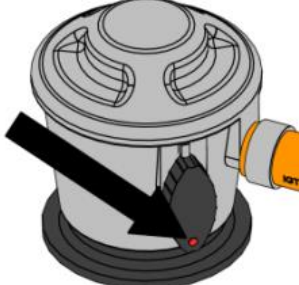

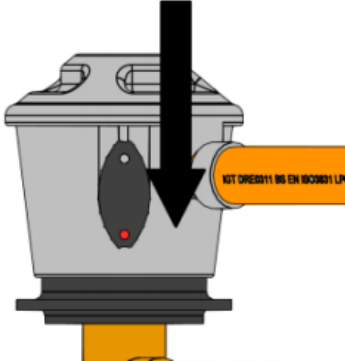
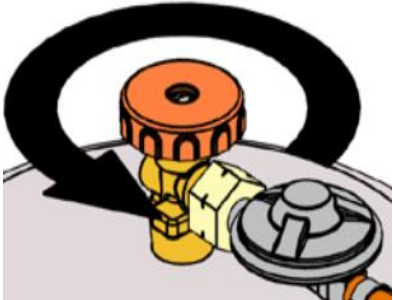

La chimenea FARO puede utilizar botellas metálicas o de acero o botellas mixtas

!!!ATENCIÓN!!! NUNCA utilice una conexión de gas inestable (sin regulador).

Gas Las bombonas de gas tienen dos tipos de conectores:

- Conexión por giro: Lo más importante es la junta negra. Compruebe siempre si la junta está presente y si no se ha dañado durante la sustitución de la bombona de gas. Algunas conexiones tienen un pomo para fijarlas en su sitio, mientras que otras requieren el uso de una llave. Apriete bien (rosca izquierda). Utilizando la herramienta, preste atención a no apretar demasiado la conexión, ya que podría dañar la junta.
- Cierre rápido: Para este tipo de conexión no se necesita ninguna herramienta. La regulación del encendido y apagado de la conexión de gas se realiza a través de un interruptor en el regulador o en un conector especial. En caso de utilizar un conector con un regulador de rosca de tipo antiguo, haga especial hincapié en comprobar si la tuerca de conexión está bien apretada con la ayuda de una llave.

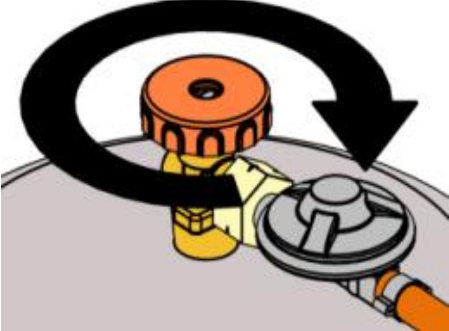


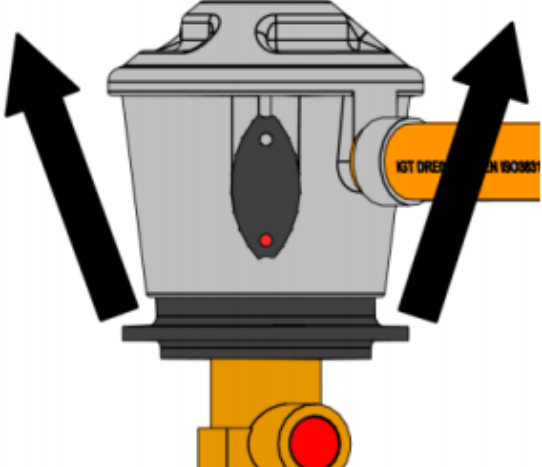
Conexión de la bombona de gas

Twist-on	Quick-release
<ol style="list-style-type: none">1. Compruebe si la válvula de la botella está CERRADA girándola en el sentido de las agujas del reloj2. Retire la punta de protección y guárdela para su uso posterior.	<ol style="list-style-type: none">1. Retire la punta de protección. No utilice ninguna herramienta, deje la punta colgando libremente.
<ol style="list-style-type: none">3. Antes de realizar la conexión, compruebe que la junta negra no está dañada. 	<ol style="list-style-type: none">2. Asegúrese de que todos los grifos del dispositivo de gas están cerrados y de que el interruptor está en la posición OFF. 
<ol style="list-style-type: none">4. Coloque la tuerca de conexión en la botella con el uso de una llave correcta o el pomo de conexión. (rosca izquierda) No permita que los conectores de la botella de gas se sujeten con demasiada fuerza. 	<ol style="list-style-type: none">3. Coloque el regulador de cierre rápido en la válvula y apriételo con fuerza. Si el interruptor está correctamente apagado, oirá un clic característico. 
<ol style="list-style-type: none">5. Cuando el flujo de gas sea necesario, gire la válvula de la botella en sentido contrario a las agujas del reloj. 	<ol style="list-style-type: none">4. Para dejar entrar el gas gire el interruptor a la posición ON (o a la imagen de la llama). 

!!!ADVERTENCIA!!! Compruebe que no hay fugas en la conexión de gas. Si algo sugiere que hay una fuga (por ejemplo, un olor característico a gas) cierre la válvula de la botella de gas y bajo ninguna circunstancia encienda el aparato antes de eliminar la fuga

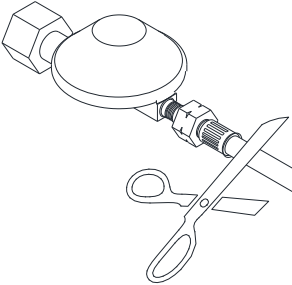
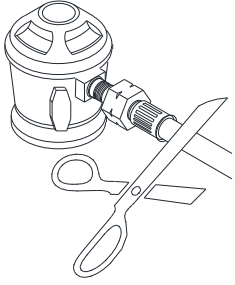
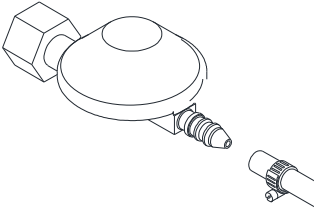
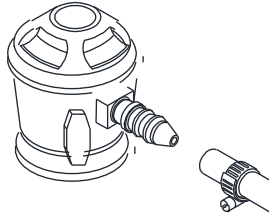
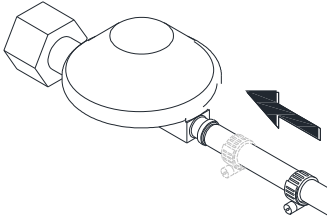
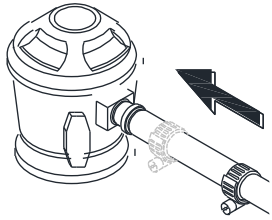
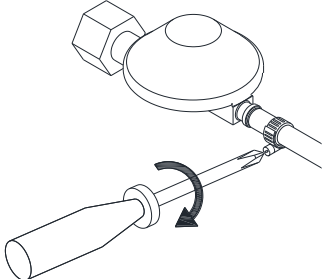
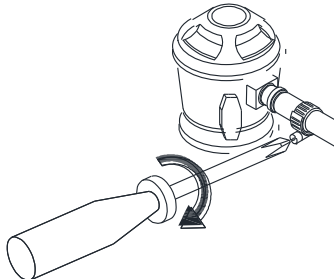
- Una vez eliminada la fuga, puede volver a abrir la válvula de la botella de gas.

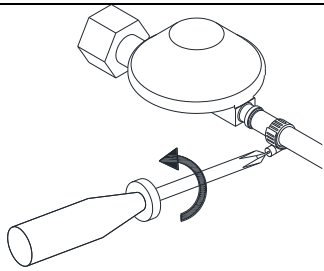
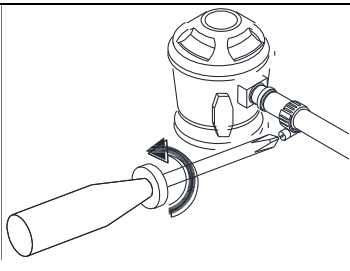
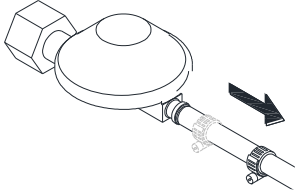
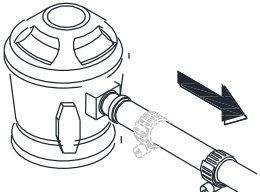
Desconexión de la bombona de gas

Twist-on	Quick-release
<p>1. Apague el FARO - póngalo en posición OFF. Es necesario apagar el quemador principal.</p> <p>2. Gire la válvula de la botella a la posición OFF (en el sentido de las agujas del reloj).</p> 	<p>2. Ponga el interruptor en la posición OFF.</p> 
<p>3. NUNCA desmonte el regulador (o la tuerca de conexión) cuando la válvula de la botella esté abierta.</p> <p>4. DESMONTA el regulador (o la tuerca de conexión) con el uso de una llave o una perilla de conexión.</p> 	<p>3. Desmonte el regulador de cierre rápido pulsando el interruptor horizontalmente y tirando simultáneamente de todo el regulador hacia arriba.</p> 
<p>5. Vuelva a colocar el cierre de la conexión o el tapón de la botella vacía o parcialmente llena si no se está utilizando.</p>	<p>4. SUSTITUYA el tapón de cierre en la botella vacía o parcialmente llena si no se está utilizando.</p>

3.5.2. Sustitución del regulador

1. Siempre es necesario utilizar un regulador de presión entre la botella de gas y el aparato. Sustituya el regulador de presión cada 5 años. Presiones permitidas: 30 mbar, 37 mbar (recomendado), 50 mbar. Utilice sólo los reguladores que cumplen con la norma europea EN16129.
2. Apague el FARO- la posición "OFF". Es necesario apagar el quemador principal.
3. Desconecte el regulador de la botella de gas (descripción anterior)

	Twist-on	Quick-release
4. Corte el reductor de presión conectado o vaya al paso 4.1. si tiene un reductor de presión con conexión de abrazadera.		
5. Sustituya el regulador por uno nuevo con conexión de abrazadera colocando el nuevo enlace en el muñón del regulador.		
6. Mueva la abrazadera hacia el muñón		
7. Apriete la abrazadera con un destornillador (philips) o una llave plana. ADVERTENCIA En caso de daños visibles en la abrazadera, sustitúyala por una nueva.		

	Twist-on	Quick-release
4.1. Afloje la abrazadera metálica con el uso de un destornillador (philips) o una llave plana.		
4.2. Aleje la abrazadera del tubo del regulador de gas y vaya al paso 5		

- FARO está equipado con una válvula antivuelco que apaga el aparato en caso de que la chimenea se incline o se desplome. La válvula corta automáticamente el suministro de gas al controlador y esto apaga la llama.

ADVERTENCIA!!! asegúrese de que la válvula antivuelco esté siempre instalada en la posición superior.

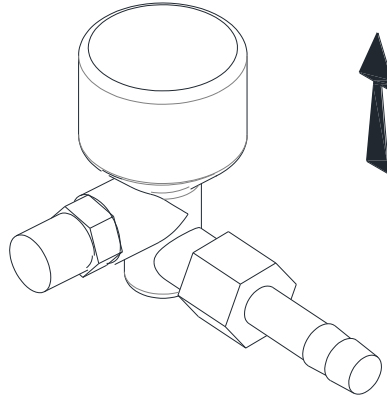


Fig 7– Sensor antivuelco

4. MANUAL DEL USUARIO

El hogar FARO dispone de una válvula de control con encendido incorporado para el quemador principal (sin llama piloto). La altura de la llama del quemador principal puede ser regulada adecuadamente con el giro de la perilla. Junto al mando se encuentra el botón de encendido eléctrico (alimentado por una pila AAA). El panel de control está situado en la parte delantera, justo encima de la puerta del compartimento de la bombona de gas.

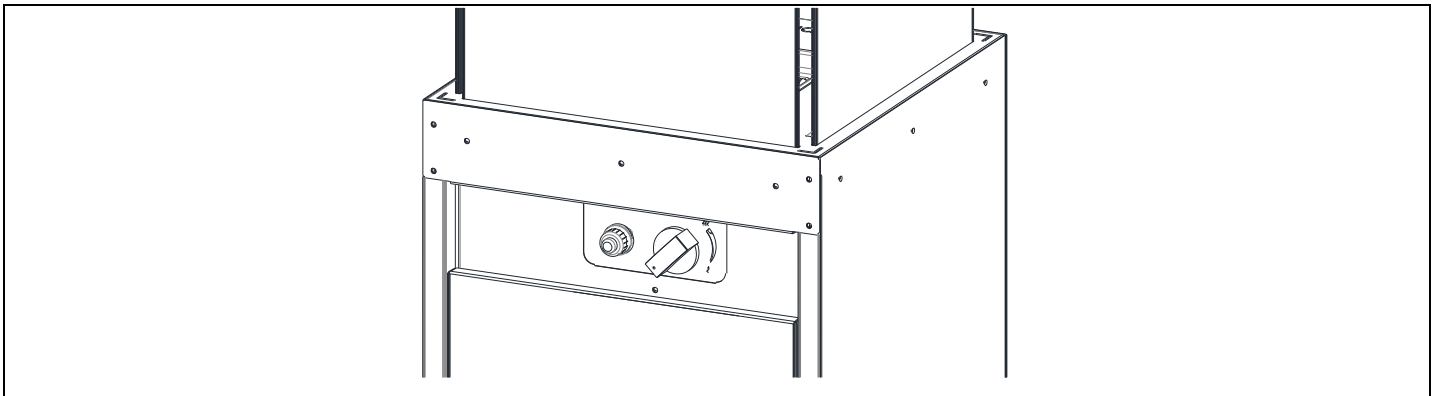


Fig 9– Panel de control

4.1. Puesta en marcha del aparato

- Asegúrese de que el mando está colocado en la posición "OFF" (en el sentido de las agujas del reloj).

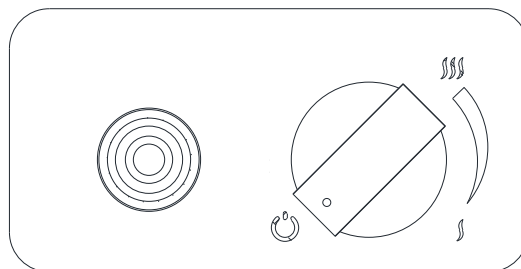


Fig 9 – Posición de apagado

- Abra la válvula de la bombona de gas.

- Presione el pomo y, sin dejar de presionar, gírelo en sentido contrario a las agujas del reloj desde la posición (1) a la posición (2)

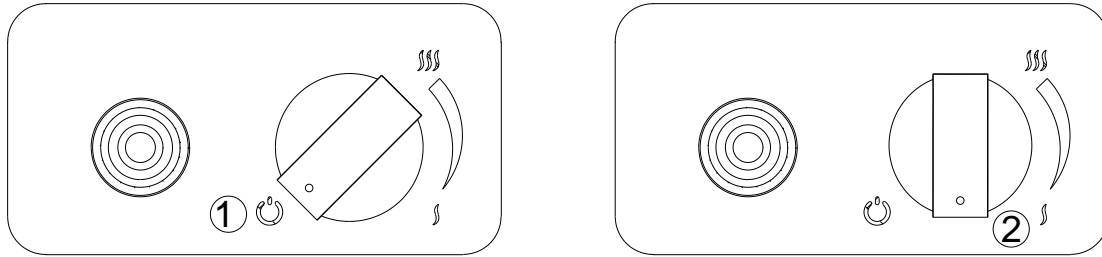


Fig 10 – Encendido del aparato

- Manteniendo el pomo presionado, encienda la llama pulsando el botón de encendido (3).

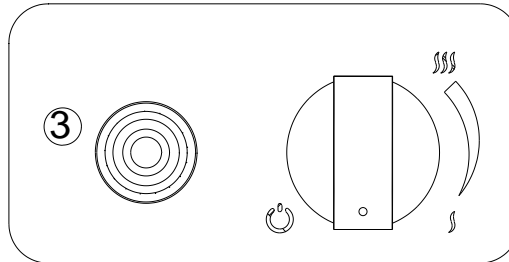


Fig 11 – Presionando el botón de encendido

- Aparecerá una chispa que encenderá el quemador principal a la altura mínima de la llama. Si la llama no se enciende, repita este proceso 2-3 veces. Esto será necesario especialmente cuando haya sustituido e instalado una nueva bombona de gas GLP.
- Cuando la llama se encienda, mantenga el mando durante unos 5 segundos hasta que se caliente el termopar, que mantendrá la válvula principal en posición abierta.
- Ahora puede soltar el mando. Sin embargo, si la llama se apaga, repita el proceso una vez más hasta conseguir una llama estable.

!!!ADVERTENCIA!!! Después de 2 ó 3 intentos fallidos, termine y compruebe las conexiones. Inténtelo de nuevo en 10 minutos. Si la botella de gas instalada es nueva o la chimenea no ha sido utilizada durante un largo periodo de tiempo, lo primero que hay que hacer es liberar el aire de la conexión de gas. En este caso será necesario realizar algunos intentos hasta que la llama se encienda.

4.2. Regulación del tamaño de la llama

- Cuando la llama está ardiendo, la altura deseada de la llama puede ajustarse y regularse girando el mando en el sentido de las agujas del reloj o en sentido contrario.
- Para conseguir una llama más alta, gire el mando en sentido contrario a las agujas del reloj hasta la posición "Hi". Para conseguir una llama más baja, gire el mando en el sentido de las agujas del reloj hasta la posición "Lo".

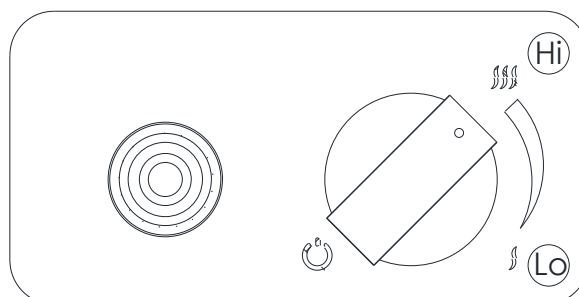


Fig 12 – Ajuste de la llama alta

4.3. Apagado del aparato

- Para apagar el aparato, pulse y gire simultáneamente el mando en todo el sentido de las agujas del reloj. El suministro de gas se cortará y la llama del quemador se apagará.

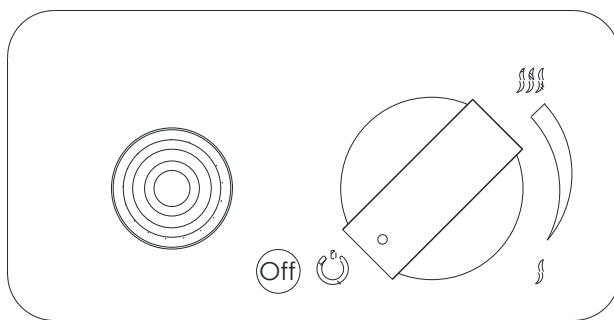


Fig 13 – Apagado del aparato

- Además, cierre también la válvula de la bombona de gas.

4.4. Sustitución de la pila

Si la pila se coloca de forma incorrecta, el encendedor electrónico puede sufrir daños irreparables. Cambie la pila sólo cuando el aparato esté completamente apagado.

La pila se coloca en el recipiente situado en el panel de control junto al mando de regulación de la llama.

- Desenrosque el botón de encendido
- Retire la pila y coloque la nueva en el recipiente.

¡ATENCIÓN! Recuerde la correcta polarización de la pila.

- Atornille la tapa del contenedor de la batería.

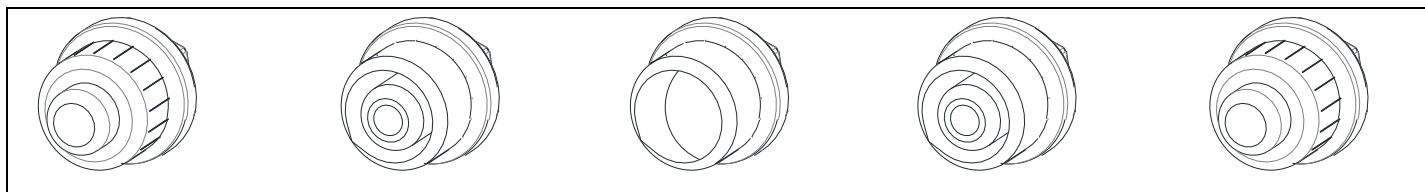


Fig 14 – Sustitución de la batería

5. PRUEBA

¡¡¡ATENCIÓN!!! NO ENCIENDA NUNCA EL APARATO SI SE PERCIBE EL OLOR CARACTERÍSTICO DEL GAS.

En caso de fuga de gas, el aparato no deberá utilizarse o, si se enciende, se deberá cortar el suministro de gas y se deberá investigar y rectificar el aparato antes de volver a utilizarlo. Si huele a gas durante el funcionamiento de la chimenea, apague el aparato inmediatamente y corte el suministro de gas de la bombona cerrando su válvula.

5.1. Comprobación de fugas de gas.

- Compruebe si todas las conexiones son herméticas.
- Para ello, aplique a todas las conexiones agua jabonosa (o agua con otra sustancia espumosa) o un spray profesional para la detección de fugas.
- Si hay burbujas de aire significa que la conexión tiene una fuga.
- Elimine las fugas en los espacios identificados.
- Vuelva a comprobar si hay fugas.
- Después de la inspección, seque las conexiones inspeccionadas.
- El aparato sólo puede volver a utilizarse cuando se hayan eliminado todas las fugas.
- Si el problema se repite, póngase en contacto con el distribuidor.

5.2. Comprobación del aspecto de la llama.

- Quemar el FARO a la máxima altura de la llama y comprobar el aspecto de la misma.
- La llama debe ser uniforme en toda la superficie del quemador principal.
- Si hay huecos visibles o hay diferencias sustanciales en la altura de la llama, apague la chimenea y después de que el dispositivo se enfríe, ajuste la colocación de las piedras decorativas de tal manera que se coloquen uniformemente en toda la superficie del quemador principal.
- Encienda la chimenea y compruebe de nuevo el aspecto de la llama.

6. MANTENIMIENTO Y CONSERVACIÓN

Se recomienda limpiar el encendedor, el termopar y el quemador principal antes de volver a poner en marcha el aparato después de haberlo sacado del almacén durante el periodo invernal.

6.1. Comprobación y limpieza

Compruebe y limpie si es necesario necesario:

- El quemador principal - si es necesario, retire las partes rotas de las piedras y el polvo existente.
- El termopar (si es necesario, retire los sedimentos existentes). En caso de daños visibles, póngase en contacto con su distribuidor.
- Encendedor - el espacio entre el encendedor y el quemador no debe ser mayor de 5 mm.
- Pantalla de cristal - compruebe si hay manchas de suciedad o posibles arañazos o grietas. Si hay grietas, sustituya la pantalla de cristal por una nueva. Para ello, póngase en contacto con su distribuidor.
- Conexión de gas y regulador de presión (en caso de que su fecha de caducidad no sea válida, sustituya estos accesorios por otros nuevos).
- Si tiene problemas con el regulador, la conexión de gas, el quemador o las válvulas de regulación, no intente reparar estas piezas. Póngase en contacto con un vendedor, un servicio técnico autorizado o un importador para adquirir piezas de recambio. Para que el aparato funcione eficazmente, utilice sólo piezas de recambio originales.

6.2. Limpieza de las pantallas de cristal

La mayoría de las manchas existentes pueden limpiarse con un paño seco. En caso de manchas más importantes, puede utilizar líquidos que se aplican normalmente a las baldosas de cerámica o a las ventanas. Seque siempre la pantalla de cristal para evitar manchas de humedad que podrían incrustarse irreversiblemente en el cristal.

!!!ATENCIÓN!!! Evite dejar huellas dactilares en el cristal. Quedarán incrustadas en el cristal y no podrá limpiarlas.

7. GARANTÍA

Planika Sp. z o.o. concede al Cliente la garantía de calidad para el buen funcionamiento de la mercancía especificada en el documento de venta. La garantía se determina por un período determinado a partir de la fecha de compra (basado en la tarjeta de garantía junto con el recibo de compra). El período de garantía comienza en el momento de la compra del producto original por el primer usuario final. El producto puede constar de varias partes separadas y cada una de ellas puede estar cubierta por un período de garantía diferente. El fabricante da 2 años de garantía a partir de la fecha de compra de un insert para su buen funcionamiento. El sellado de la chimenea está cubierto por la garantía durante un período de 1 año a partir de la fecha de compra del aparato. La garantía no cubre los troncos/piedras cerámicas decorativas ni el vidrio. El uso del inserto de chimenea y las condiciones de funcionamiento deben estar de acuerdo con el manual de usuario y con la normativa vigente. La base de la reparación gratuita cubierta por la garantía es la tarjeta de garantía. La tarjeta de garantía caducará sin fecha, sellos, firmas, así como las modificaciones realizadas por personas no autorizadas. El derecho del cliente a la garantía expirará automáticamente: después del período de garantía. Los daños causados por la manipulación inadecuada, el almacenamiento, de mal mantenimiento, incompatibles con las condiciones establecidas en el manual y debido a otras razones no debido a la culpa del fabricante, se anulará la garantía. En caso de reclamación, diríjase siempre a su distribuidor. El proveedor se pondrá en contacto con la empresa Planika, si lo considera necesario. La garantía de fábrica es válida durante 2 años a partir de la fecha de compra. Los detalles de la garantía están disponibles en <https://www.planikafires.com/warranty-cards/>

8. SOLUCIÓN DE PROBLEMAS

¡Atención! El montaje, el mantenimiento y el servicio deben ser realizados por un profesional con la cualificación adecuada, por una empresa apropiada o por el proveedor de gas.

PROBLEMA	POSIBLE CAUSA	ACCIÓN CORRECTIVA
OLOR A GAS	CIERRE INMEDIATAMENTE LA VÁLVULA DE LA BOMBONA DE GAS. NO UTILICE EL APARATO HASTA QUE SE HAYAN ELIMINADO LAS FUGAS.	
Fuga detectada en el cilindro, regulador u otra conexión.	1. Una conexión del regulador floja. 2. Fuga en la conexión de gas, en el regulador o en los mandos de gas.	1. Apriete y pruebe. 2. Comunique este problema al servicio técnico.
El quemador no se enciende	1. La botella está vacía. 2. La conexión del encendedor no está conectada. 3. No hay chispa de encendido. 4. El electrodo de encendido está mal colocado frente al encendedor. 5. Las boquillas de gas están bloqueadas. 6. El enganche de gas está torcido. 7. La conexión del regulador de presión está suelta.	1. Sustituya el cilindro de gas. 2. Conecte la conexión del encendedor. 3. Sustituya el encendedor. 4. Vuelva a alinear el electrodo y elimine los residuos de la zona. 5. Desmontar el quemador, limpiar la boquilla. 6. Enderece el varillaje. Mantenga el varillaje alejado de la carcasa. 7. Apriete el eslabón. Compruebe si hay fugas.
El encendedor no funciona	1. El cable de encendido no está conectado. 2. Electrodo mal alineado en el quemador piloto 3. Mal funcionamiento del encendedor 4. La batería se ha agotado	1. Asegúrese de que el cable del electrodo piloto está conectado. 2. Vuelva a alinear el electrodo y elimine los residuos de la zona. 3. Sustituir el encendedor 4. Sustituir la batería
Baja eficiencia, sonidos de "chasquido"	1. La botella está vacía. 2. Las boquillas del quemador están bloqueadas.	1. Sustituya el cilindro de gas. 2. Desmontar el quemador, limpiar la boquilla.
Sonidos de golpes producidos por el regulador.	La válvula del cilindro se ha abierto rápidamente.	Afloje la válvula de la botella lentamente.
Una llama viva/anaranjada y ahumada del quemador.	Agujeros bloqueados en el aparato que produce la mezcla de gas y aire.	Desmonte el quemador y limpie/desbloquee los orificios del aparato.

9. TECHNICAL SPECIFICATION

Categoría de aplicación		I3P			I3B/P			I3+	
Gas de referencia		G31			G30			G30	G31
Presión de entrada	[mbar]	30	37	50	30	37	50	28-30	37
Diámetro del inyector	[mm]	1,2			1,2			1,2	
Consumo de gas	[kg/h]	0,4	0,45	0,5	0,4	0,45	0,5	0,4	0,45
Entrada de calor nominal (Hi)	[kW]	4,5	5,0	6,4	5,1	6,4	7,4	5,1	5,1
Entrada de calor nominal (Hs)	[kW]	5,0	5,5	7	5,6	7	8	5,6	5,6
Dispositivo de seguridad	Termopar								
Válvula de control de gas	BS190								
Manguera flexible (1,4m)	Ø9mm								

VENDEDOR	
Nombre:	Sello y firma del vendedor
Dirección:	
Tel/fax:	
Fecha de venta:	
COMPRADOR	
Nombre:	
Dirección:	
Tel/fax:	
Fecha de compra:	
La chimenea de gas debe ser instalada por un instalador cualificado de acuerdo con las normas nacionales de construcción aplicables y de acuerdo con las directrices contenidas en los manuales de instalación y del usuario.	
Declaro haber leído el Manual del Usuario y las Condiciones de Garantía.	
Fecha y firma legible del Comprador	
INSTALADOR	
Nombre:	Sello y firma del instalador
Dirección:	
Tel/fax:	
Fecha de puesta en marcha:	
Declaro que la chimenea de gas instalada por mi empresa ha sido instalada de acuerdo con las normas de construcción aplicables y de acuerdo con las directrices contenidas en los manuales de instalación y de uso. La chimenea de gas instalada está lista para funcionar de forma segura.	

IL EST OBLIGATOIRE DE LIRE ET DE CONSERVER CE MANUEL D'INSTRUCTIONS.

TABLE DES MATIÈRES

1.	INTRODUCTION	57
2.	INSTRUCTIONS DE SÉCURITÉ.....	58
2.1.	Consigne de sécurité concernant l'utilisation des bouteilles de gaz.	59
3.	INSTALLATION	60
3.1.	Contenu de la boîte.....	60
3.2.	Déballage et installation	61
3.3.	Installation des roues.....	61
3.4.	Installation de l'écran en verre	62
3.5.	Montage de la bouteille de gaz.....	62
3.5.1.	Installation de la tringlerie de gaz et remplacement de la bouteille de gaz.....	63
3.5.2	Regulator replacement	66
4.	MANUEL DE L'UTILISATEUR	67
4.1	Mise en marche de l'appareil.....	67
4.2	Réglage de la taille de la flamme	68
4.3	Arrêt de l'appareil	69
4.4.	Remplacement de la pile	69
5.	TEST.....	69
5.1	Contrôle des fuites de gaz.....	70
5.2	Contrôle de l'aspect de la flamme.	70
6.	MAINTENANCE ET ENTRETIEN	70
6.1	Contrôle et nettoyage.....	70
6.2	Nettoyage des écrans en verre	71
7	GARANTIE.....	71
8	DÉPANNAGE.....	72
9	SPÉCIFICATION TECHNIQUE	72

1. INTRODUCTION

Le foyer KF 22 est un appareil décoratif à gaz à effet combustible destiné à être utilisé uniquement à l'extérieur ou dans un endroit largement ventilé. Il est obligatoire de prendre connaissance du manuel d'installation et du manuel de l'utilisateur ci-dessous avant de s'engager dans une installation Ce manuel est à conserver précieusement pendant toute la durée de vie de l'appareil.

Déclaration de conformité CE

Nous déclarons par la présente que tant la conception que la construction d'un appareil de chauffage au gaz fabriqué par **Planika Sp. z o.o. (dont le siège social est situé à Bydgoskich Przemysłowców 10 85-862 Bydgoszcz, Pologne)** Règlement (UE) 2016/462 du Parlement européen et du Conseil du 9 mars 2016 (GAR) relatif aux appareils à combustibles gazeux.

Produit : Chauffe-patios

Type : KF 22

Règlement : 2016/426

Normes : PN-EN 14543:2017-09

L'organisme notifié : Kiwa Nederland B.V, Wilmersdorf 50, P.O. Box 137, 7300 AC APELDOORN, Pays-Bas (NB0476) sur la base de l'examen de type UE (type de production) - module B conformément à l'annexe III, point 1 du règlement susmentionné a émis le certificat d'examen de type UE n° 19GR0374_01 le 04/06/2021.

La surveillance de la production dans le module C2 est effectuée par l'INSTITUT DU PETROLE ET DU GAZ - Institut national de recherche, PL 31-501 Cracovie, rue Lubicza (NB1450) et NR 25 du certificat de surveillance n° 1450-GAR-027 le 21 octobre 2021 sec. jusqu'au 10/06/2022

Le système de contrôle de la qualité de l'entreprise garantit que les dispositifs produits en série répondent aux exigences essentielles des directives et règlements applicables ainsi qu'aux normes qu'ils contiennent. Cette déclaration est annulée si des modifications sont apportées au dispositif sans le consentement écrit préalable de Planika.

 **PREZES ZARZĄDU**
Jarosław Dąbrowski

Chairman of the Board

Jarosław Dąbrowski

2. INSTRUCTIONS DE SÉCURITÉ

- **Lisez les instructions avant l'utilisation. Conservez les instructions pour toute référence ultérieure.**
- A n'utiliser qu'à l'extérieur ou dans des endroits bien ventilés. L'utilisation de cet appareil dans des endroits fermés est DANGEREUSE et est INTERDITE.
- Un espace bien ventilé doit avoir au moins 25 % de sa surface ouverte. La surface est la somme de la surface des murs.

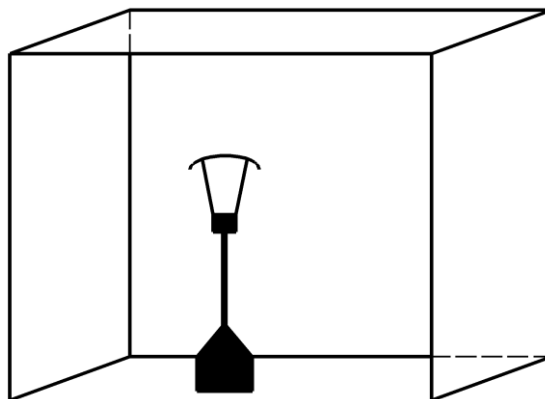


Fig 1 – Zone de ventilation minimale

- Ne déplacez pas l'appareil lorsqu'il fonctionne.
- Fermez le robinet de la bouteille de gaz ou le détendeur avant de déplacer l'appareil.
- En cas de vent violent, il faut prendre des précautions pour ne pas faire basculer l'appareil.
- Cet appareil doit être utilisé, et la bouteille de gaz stockée, conformément à la réglementation en vigueur.
- Le foyer FARO doit être installé et contrôlé chaque année conformément au manuel d'installation ci-dessous ainsi qu'aux lois nationales et locales en vigueur concernant la sécurité du gaz (installation et utilisation).
- Il faut évaluer si les données de la plaque du produit sont conformes au type de gaz et à la pression locale.
- Ne changez pas la structure de l'appareil ou de ses éléments scellés et ne modifiez pas les paramètres par défaut de la cheminée FARO.
- Ne placez pas de blocs d'imitation supplémentaires ni de fragments de charbon incandescent sur le brûleur ou dans la chambre de combustion.
- Un extincteur à CO₂ ou à poudre doit être placé à proximité de l'appareil.
- Lors du premier allumage, le foyer FARO doit être brûlé au maximum pendant quelques heures afin que les éléments acquièrent une température correcte et que les restes de peinture, de laque et de lubrifiant s'évaporent.
- Ne pas déplacer l'appareil pendant qu'il fonctionne.
- FARO a été conçu à des fins décoratives. La surface du foyer FARO, y compris les écrans en verre, peut devenir chaude (jusqu'à 100 degrés Celsius), à l'exception des parois latérales de l'appareil et du panneau de commande.

AVERTISSEMENT !!! Les parties de l'appareil qui sont faciles à atteindre peuvent être très chaudes. Tenez les enfants éloignés de l'appareil.

- Des panneaux de verre doivent être installés lorsque le FARO est utilisé.
- Cet appareil doit être tenu à l'écart des matériaux inflammables pendant son utilisation. Ne placez aucun matériau combustible à moins de 0,3 m de FARO et à 1 m au-dessus de l'appareil (Fig 2).

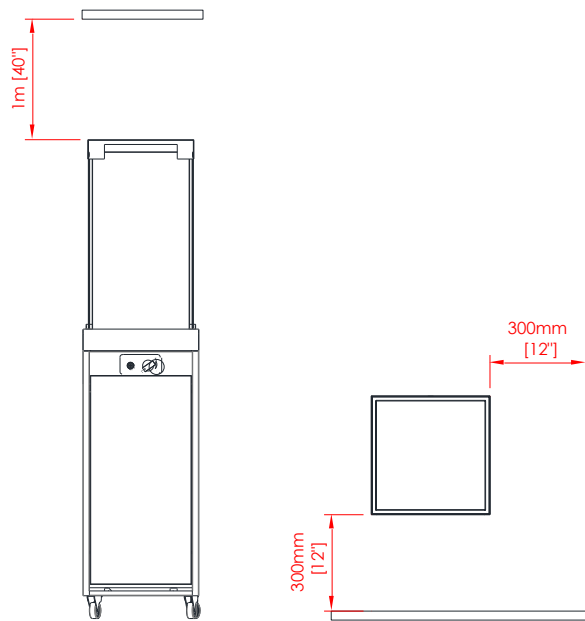


Fig 2 – Distances minimales

- Lorsque le foyer FARO est allumé, il ne doit pas être exposé à la pluie.
- Lorsque le FARO n'est pas utilisé, il doit être protégé des conditions atmosphériques et la vanne principale de la bouteille de gaz doit être fermée.
- Si le FARO n'est pas utilisé pendant une longue période (par exemple en hiver), nous vous conseillons de le ranger à l'intérieur.
- Toutes les pièces du foyer FARO sont fabriquées dans un matériau résistant aux taches.
- Ne laissez jamais un FARO allumé sans surveillance.
- Le foyer FARO doit être installé dans un endroit inaccessible aux enfants, aux personnes non autorisées ou aux animaux pour que le contact direct avec la flamme ou les parties chaudes de l'appareil soit impossible.
- En cas de vent fort, le foyer FARO doit être immédiatement éteint et il faut attendre que le vent passe.
- En cas de fuite de gaz, il faut éteindre le foyer ainsi que le robinet principal de la bouteille de gaz.
- Après utilisation, fermez le robinet de la bouteille de gaz.
- L'environnement d'eau de mer salée accélère le processus de corrosion et contribue à endommager le foyer

2.1. Consigne de sécurité concernant l'utilisation des bouteilles de gaz.

- N'utilisez que le type de gaz et la pression spécifiés par le fabricant.
- Changez la bouteille de gaz dans un endroit bien ventilé, loin de toute source d'inflammation (bougie, cigarette, autres appareils produisant des flammes).
- Ne pas obstruer les orifices de ventilation du boîtier de la bouteille.
- En cas de fuite de gaz, l'appareil ne doit pas être utilisé ou, s'il est enflammé, l'alimentation en gaz doit être coupée et l'appareil doit être examiné et rectifié avant d'être utilisé à nouveau.
- Les bouteilles de gaz doivent toujours être placées en position verticale - pendant l'utilisation et le transport.

- Stockez toujours la bouteille de gaz dans un endroit facilement accessible afin de pouvoir l'éteindre immédiatement.
- Pendant le processus d'installation, ne laissez pas une flamme nue ou un objet enflammé atteindre la bouteille de gaz.
- Les fuites doivent être détectées à l'aide d'un liquide de nettoyage et d'eau. Si des bulles se forment à la surface, cela signifie qu'il y a une fuite.
- Utilisez toujours un régulateur de pression entre la bouteille de gaz et l'appareil. Remplacez le régulateur de pression tous les 5 ans. Les pressions autorisées sont : 30mbar, 37mbar (recommandé), 50 mbar. N'utilisez que des détendeurs conformes à la norme européenne EN16129.
- N'utilisez que des raccords de gaz homologués et certifiés. Remplacez la tringlerie tous les 2 ans.
- Contrôlez le tuyau flexible au moins une fois par mois et à chaque changement de bouteille. S'il présente des signes de fissures, de fentes ou d'autres détériorations, il doit être remplacé par un nouveau tuyau de même longueur et de qualité équivalente.
- Ne pas raccorder la bouteille de gaz directement à l'appareil sans détendeur.
- La tubulure ou le tuyau flexible doit être remplacé dans les intervalles prescrits.
- N'utilisez que le type de gaz et le type de bouteille spécifiés dans ces instructions.
- Le lien élastique reliant le gaz au foyer doit être conduit loin des arêtes vives et des surfaces chaudes. Évitez de plier et de tordre la liaison élastique sur toute sa longueur.
- N'oubliez pas que la bouteille de GPL doit être stockée dans un endroit bien ventilé. Le gaz GPL est plus lourd que l'air et son accumulation près de la surface du fond peut générer un mélange explosif.
- La bouteille de gaz doit être fermée si le foyer n'est pas utilisé.
- Le remplissage des bouteilles de gaz doit être confié à des stations de remplissage de gaz certifiées.
- Le remplacement des bouteilles vides par des bouteilles pleines ne doit être effectué que dans des endroits autorisés.

3. INSTALLATION

3.1. Contenu de la boîte

- 1x complete FARO fireplace
- 4x Tempered glass screens
- 4x Coin en verre
- 8x Tube en verre siliconé
- 1x bag of decorative stones
- 4x Wheels
- 1x AAA battery
- 1x 1,4 metre flexible hose Ø9mm – installed
- 1x pressure regulator (37mbar) – installed
- 1x Wrench
- 1x installation manual and user's manual

3.2. Déballage et installation

- Le contenu des boîtes doit être soigneusement déballé de la feuille de mousse.
- Retirez les sacs contenant les pierres décoratives du réservoir du brûleur et placez-les à l'écart de celui-ci.
- Retirez avec précaution la plaque de verre enveloppée de carton placée à l'intérieur de l'appareil.
- Vérifiez l'intégralité des éléments à l'aide de la liste de contenu.
- Assurez-vous que l'appareil et ses éléments n'ont pas été endommagés pendant le transport (si c'est le cas, prévenez le fournisseur).
- Placez le FARO sur une surface plane et pavée à l'extérieur du bâtiment, de préférence sur le lieu de l'installation finale. Laissez un espace suffisant sur le côté de l'appareil où se trouve le panneau de commande (minimum 1 m).
- Les pierres décoratives doivent être dispersées uniformément autour du réservoir pour recouvrir complètement le brûleur du foyer.

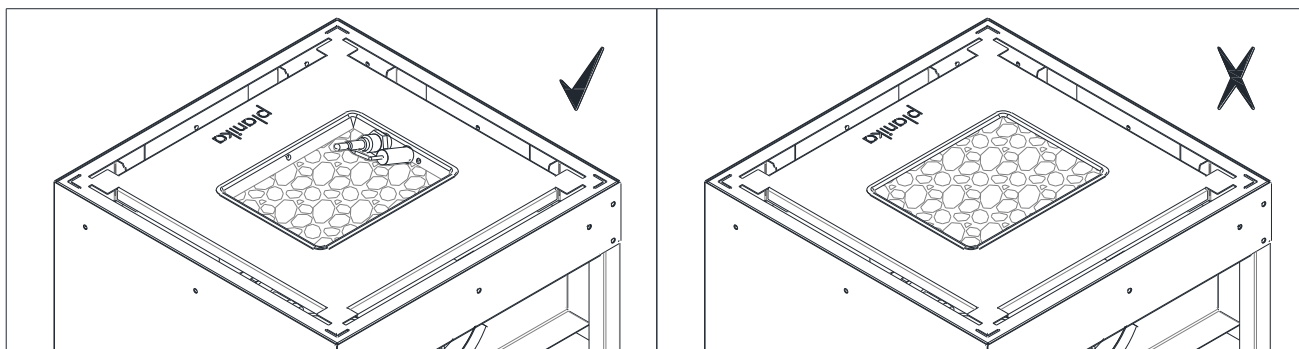


Fig 3 – Pierres décoratives disposées sur le brûleur

3.3. Installation des roues

	<p>Retirez délicatement la porte en la soulevant vers le haut, puis vers l'extérieur. Placez le foyer avec l'ouverture vers le haut.</p> <p>Attention Protégez l'appareil des rayures avant de le placer.</p>
	<p>Insérez la vis de la roue dans le trou situé sous l'appareil (1) et fixez-la avec la rondelle (2) et l'écrou (3) depuis l'intérieur. Utiliser la clé (4) pour serrer la roue.</p>
	<p>Assemblez 2 roues avec freins du côté de la porte du cylindre à gaz et 2 roues sans freins du côté opposé. Remettez le produit en position verticale.</p>

Fig 4 – Installation des roues

3.4. Installation de l'écran en verre

- Retirez soigneusement le carton et la feuille de mousse des écrans en verre.
- Enlevez toutes les contaminations des écrans en verre qui pourraient brûler sur le verre pendant le fonctionnement du FARO (en particulier les empreintes digitales).
- Glissez les tubes de silicium en verre sur les éléments dédiés (détail) et installez les écrans en verre sur les éléments correspondants.
- Assemblez les coins de l'écran en verre sur le dessus du verre (détail) puis installez le capot métallique.
- Ne retirez la protection en verre qu'en cas d'endommagement du verre.

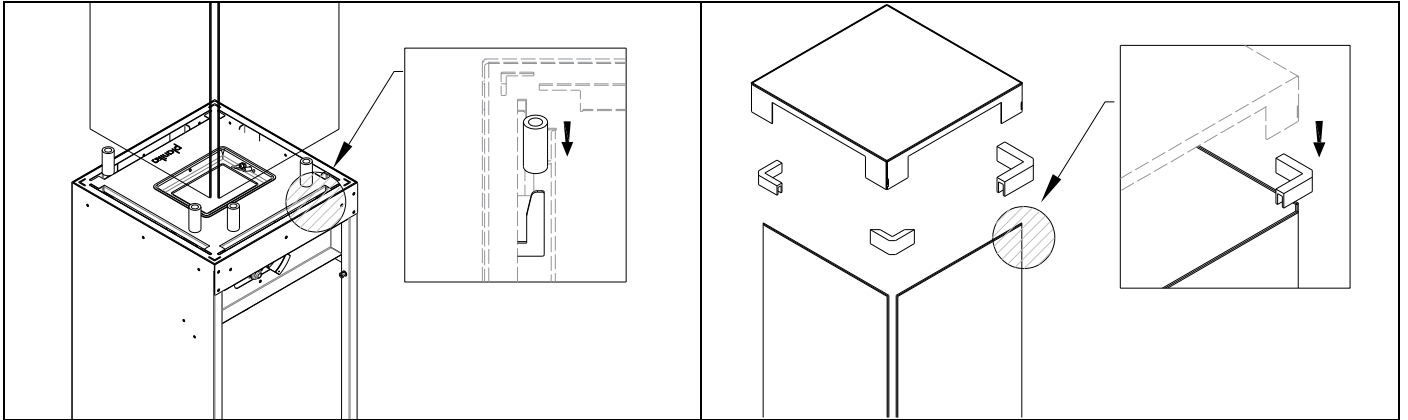


Fig 5- Installation de la vitre dans les fentes et du capot métallique sur la vitre

3.5. Montage de la bouteille de gaz

La tringlerie de gaz fixée à l'appareil permet de placer la bouteille de gaz à une distance maximale d'un mètre du panneau de commande connecté pendant son remplacement. Pendant le fonctionnement, la bouteille de gaz est cachée à l'intérieur de l'appareil derrière des portes facilement amovibles.

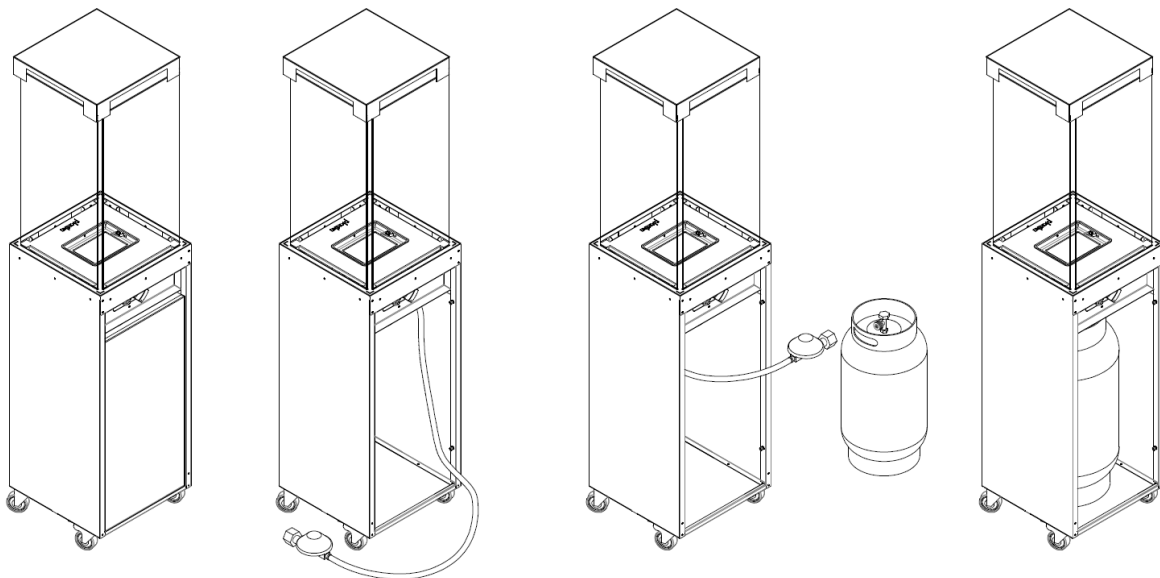


Fig 7- Installation de la bouteille de gaz

- Le boîtier de la bouteille de gaz n'est pas étanche et doit être correctement ventilé. Il est équipé d'une fente de ventilation supérieure au-dessus de la partie supérieure de la bouteille (d'une surface d'au moins 1/100 de la surface de la base du boîtier) et d'une fente de ventilation inférieure (d'une surface d'au moins 1/50 de la surface de la base du boîtier).

ATTENTION !!! Avant de remplacer la bouteille de gaz, veuillez bloquer les roues de l'appareil.

3.5.1. Installation de la tringlerie de gaz et remplacement de la bouteille de gaz

AVERTISSEMENT !!! Le montage et l'entretien doivent être effectués par un professionnel qualifié, une entreprise ou le fournisseur de gaz.

Avant de procéder à la connexion de la bouteille de gaz au foyer, toutes les activités concernant le placement et l'installation corrects du FARO doivent être effectuées. Placez la tringlerie de gaz loin des bords chauds ou coupants et assurez-vous qu'elle n'est pas tordue.

Le FARO est livré avec une tringlerie de gaz élastique qui, à une extrémité, est connectée à la valve de l'appareil et à l'autre extrémité au régulateur de gaz prêt à être connecté à la bouteille de gaz.

Type de réducteur de pression	Pays	Type de raccordement	Diamètre d'entrée	Sortie
Type A	FR, UK, IE	Clip On	27 mm	G1/4"-LH
Type B	ES, DK, NO, FI, EE, PT, CY	Clip On	35 mm	G1/4"-LH
Type C	PL, DE, LT, AL, BE, CZ, SK, SI, LV, HR, CH, UA, RS, MK, BiH	Twist On	23 mm	G1/4"-LH
Type D	IT, GR	Twist On	20 mm	G1/4"-LH

Si votre bouteille de gaz a une taille d'entrée différente ou nécessite un détendeur différent, remplacez le détendeur inclus par le détendeur requis (disponible séparément dans votre marché local).

Il faut contrôler la date de péremption du détendeur et de la tringlerie de gaz et, si nécessaire (par exemple : tringlerie cassée, coupée, rayée), remplacer les composants par de nouveaux, conformément aux normes et standards nationaux.

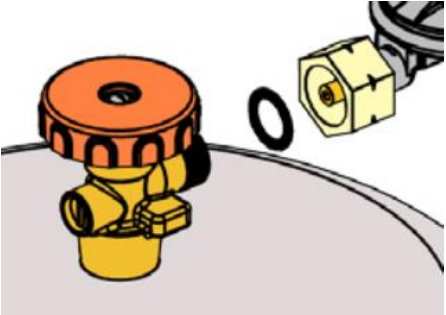


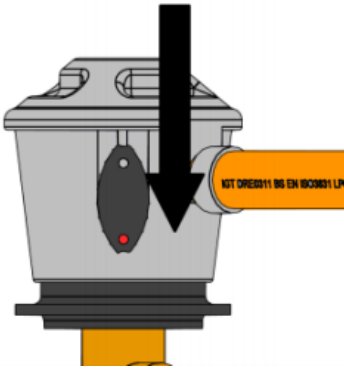
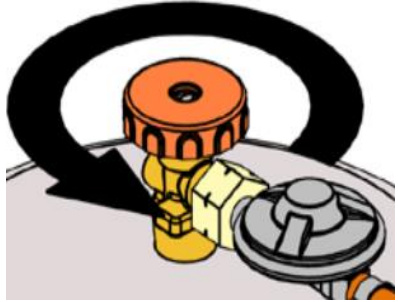
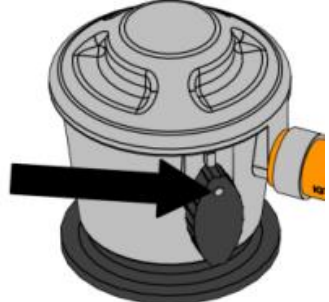
Le foyer FARO peut utiliser des bouteilles en métal ou en acier ou des bouteilles composites remplies de gaz propane-butane ou de gaz propane.

ATTENTION !!! N'utilisez JAMAIS un raccord de gaz instable (sans détendeur).

Les bouteilles de gaz ont deux types de raccords :

- Le raccord à visser : Le plus important est le joint noir. Vérifiez toujours si le joint est présent et s'il n'a pas été endommagé lors du remplacement de la bouteille de gaz. Certains raccords sont munis d'un bouton pour les fixer tandis que d'autres nécessitent l'utilisation d'une clé. Serrez fermement (filetage gauche). En utilisant l'outil, veillez à ne pas trop serrer le raccord, car cela pourrait endommager le joint.
- Raccordement rapide : Pour ce type de connexion, aucun outil n'est nécessaire. La régulation marche/arrêt de la connexion de gaz se fait par un interrupteur sur le régulateur ou sur un connecteur spécial. En cas d'utilisation d'un connecteur avec un régulateur à filetage de type ancien, il convient de vérifier tout particulièrement si l'écrou de connexion a été fermement fixé à l'aide d'une clé.

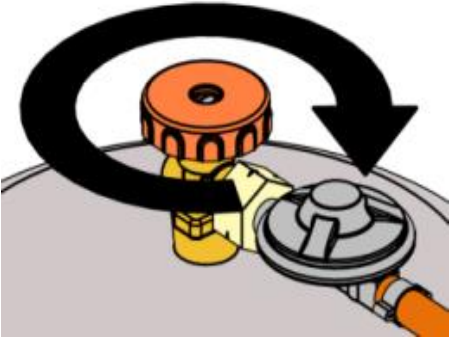


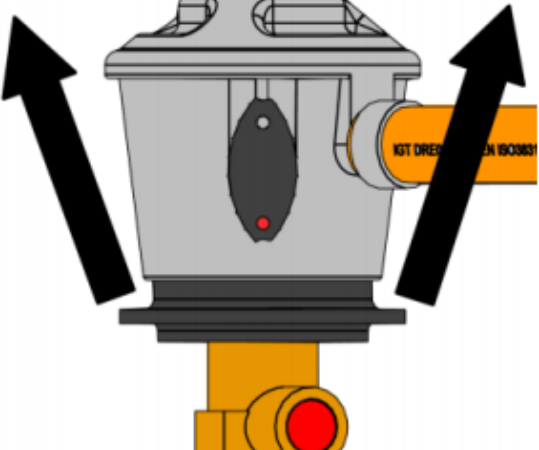
Raccordement de la bouteille de gaz

Twist-on	Quick-release
<ol style="list-style-type: none">1. Vérifiez si le robinet de la bouteille est fermé en le tournant dans le sens des aiguilles d'une montre.2. Retirez l'embout de protection et rangez-le pour une utilisation ultérieure.	<ol style="list-style-type: none">1. Retirez l'embout de protection. N'utilisez aucun outil, laissez l'embout pendre librement.
<ol style="list-style-type: none">3. Avant d'effectuer la connexion, vérifiez que le joint noir n'est pas endommagé. 	<ol style="list-style-type: none">2. Assurez-vous que tous les robinets de l'appareil à gaz sont fermés et que l'interrupteur est sur la position OFF. 
<ol style="list-style-type: none">4. Montez l'écrou de raccordement sur la bouteille à l'aide d'une clé correcte ou du bouton de raccordement. (filetage gauche) Ne laissez pas les raccords de la bouteille de gaz être fixés trop serrés. 	<ol style="list-style-type: none">3. Placez le détendeur rapide sur la valve et appuyez fortement dessus. Si l'interrupteur est correctement fermé, vous entendrez un clic caractéristique. 
<ol style="list-style-type: none">5. Lorsque le débit de gaz est requis, tournez la valve de la bouteille dans le sens inverse des aiguilles d'une montre. 	<ol style="list-style-type: none">4. Pour laisser entrer le gaz, tournez l'interrupteur sur la position ON (ou sur l'image de la flamme). 

AVERTISSEMENT !!! Vérifiez l'absence de fuite au niveau du raccord de gaz. Si quelque chose suggère la présence d'une fuite (par exemple une certaine

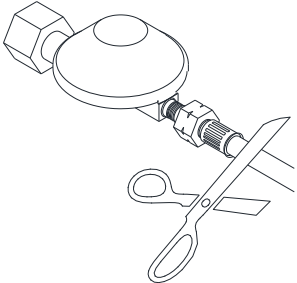
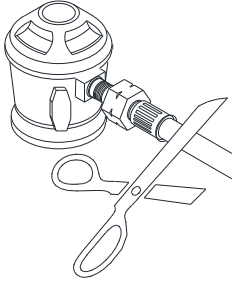
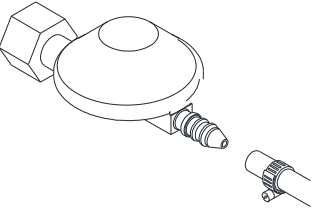
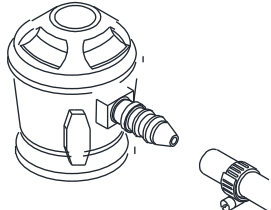
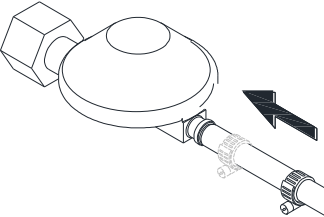
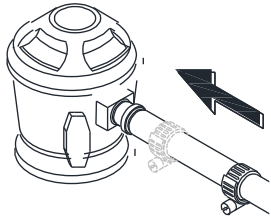
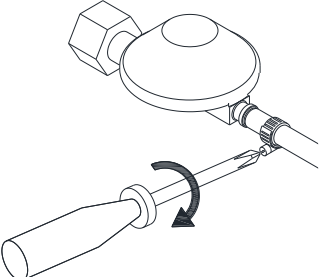
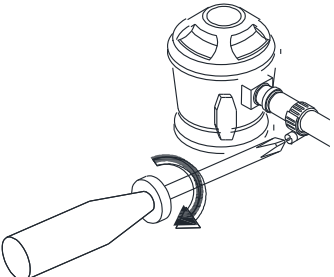
- Après avoir éliminé la fuite, on peut rouvrir le robinet de la bouteille de gaz.

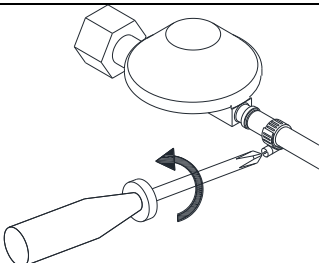
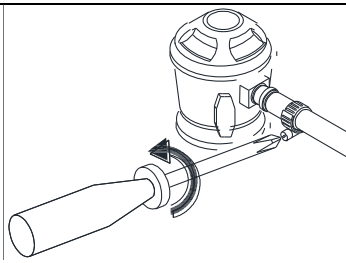
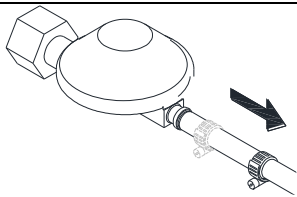
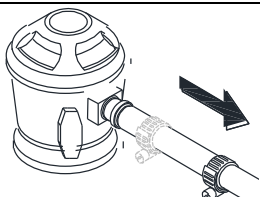
Déconnexion de la bouteille de gaz

Twist-on	Quick-release
<p>1. Éteignez le FARO - mettez-le sur la position OFF. Le brûleur principal doit être éteint.</p>	<p>2. Tournez l'interrupteur sur la position OFF.</p>
<p>2. Tournez le robinet de la bouteille en position OFF (dans le sens des aiguilles d'une montre).</p> 	<p>2. Tournez l'interrupteur sur la position OFF.</p> 
<p>3. NE JAMAIS DÉMONTER le régulateur (ou l'écrou de raccordement) lorsque le robinet de la bouteille est ouvert.</p> <p>4. DÉMONTÉZ le régulateur (ou l'écrou de raccordement) à l'aide d'une clé ou d'un bouton de raccordement.</p> 	<p>3. Retirez le détendeur rapide en appuyant horizontalement sur l'interrupteur et en tirant simultanément l'ensemble du détendeur vers le haut.</p> 
<p>5. REMPLACEZ la fermeture ou le bouchon de la bouteille vide ou partiellement remplie si elle n'est pas utilisée.</p>	<p>4. REMPLACEZ le bouchon de serrage sur la bouteille vide ou partiellement pleine s'il n'est pas utilisé.</p>

3.5.2. Regulator replacement

1. Vous devez toujours utiliser un régulateur de pression entre la bouteille de gaz et l'appareil. Remplacez le régulateur de pression tous les 5 ans. Pressions autorisées : 30 mbar, 37 mbar (recommandé), 50 mbar. Utilisez uniquement les régulateurs conformes à la norme européenne EN16129.
2. Éteignez la FARO — la position « OFF ». Le brûleur principal doit être éteint.
3. Débranchez le détendeur de la bouteille de gaz (description ci-dessus).

	Twist-on	Quick-release
4. Coupez le réducteur de pression attaché ou passez à l'étape 4.1. si vous avez un réducteur de pression avec raccord de serrage.		
5. Remplacez le régulateur par un nouveau avec une connexion de serrage en attachant une nouvelle tringlerie sur le bout du régulateur.		
6. Déplacez la pince dans le talon		
7. Serrez la pince avec un tournevis (philips) ou une clé plate. ATTENTION ! En cas de dommages visibles sur la pince, remplacez-la par une neuve.		

	Twist-on	Quick-release
4.1. Desserrez le collier métallique à l'aide d'un tournevis (philips) ou d'une clé plate.		
4.2. Éloignez la pince du bout du régulateur de gaz et passez à l'étape 5		

- FARO est équipé d'une valve anti-basculement qui arrête l'appareil en cas de basculement ou d'affaissement du foyer. La valve coupe automatiquement l'alimentation en gaz du contrôleur et éteint ainsi la flamme.

AVERTISSEMENT !!! Assurez-vous que la valve anti-basculement est toujours installée en position haute.

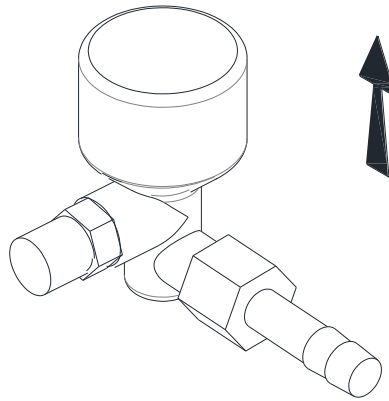


Fig 7– Capteur anti-basculement

4. MANUEL DE L'UTILISATEUR

Le foyer FARO est équipé d'une vanne de contrôle avec un allumage intégré pour le brûleur principal (sans flamme pilote). La hauteur de la flamme du brûleur principal peut être réglée de manière appropriée en tournant le bouton. A côté du bouton se trouve le bouton d'allumage électrique (alimenté par une pile AAA). Le panneau de commande est placé à l'avant, juste au-dessus de la porte du compartiment de la bouteille de gaz.

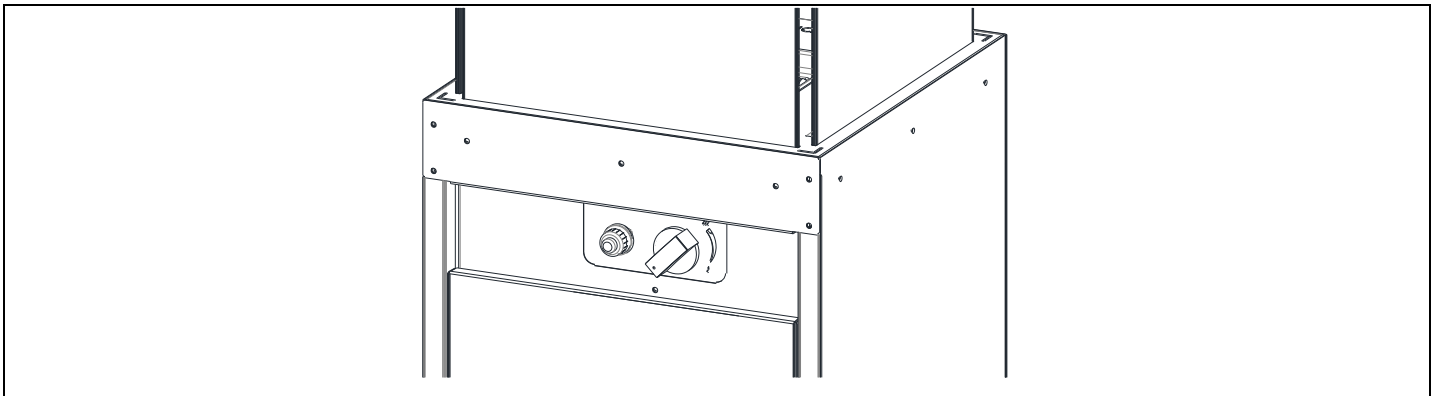


Fig 8– Panneau de commande

4.1. Mise en marche de l'appareil

- Assurez-vous que le bouton est placé en position "OFF" (à fond dans le sens des aiguilles d'une montre)

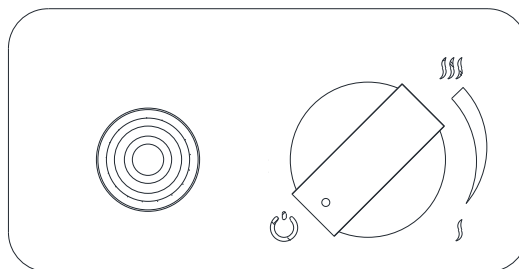


Fig 9 – Position OFF

- Ouvrez le robinet de la bouteille de gaz.

- Appuyez sur le bouton et, tout en continuant à appuyer, tournez-le dans le sens inverse des aiguilles d'une montre de la position (1) à la position (2).

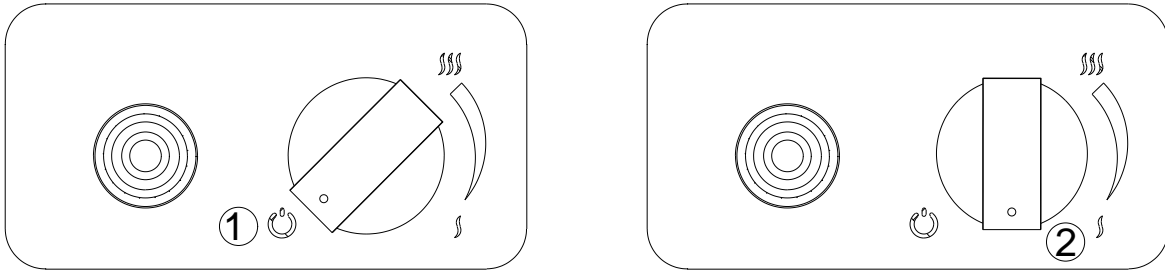


Fig 10 – Mise en marche de l'appareil

- Tout en maintenant le bouton de réglage enfoncé, allumez la flamme en appuyant sur le bouton d'allumage (3).

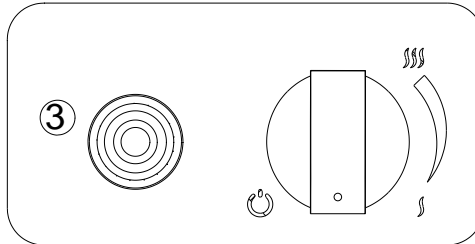


Fig 11 – Appui sur le bouton d'allumage

- Une étincelle apparaît et allume le brûleur principal à la hauteur de flamme minimale. Si la flamme ne s'est pas allumée, répétez ce processus 2 ou 3 fois. Cela sera nécessaire surtout si vous avez remplacé et installé une nouvelle bouteille de gaz GPL.
- Lorsque la flamme est allumée, maintenez le bouton pendant environ 5 secondes jusqu'à ce que le thermocouple, qui maintient la vanne principale en position ouverte, se réchauffe.
- Vous pouvez maintenant relâcher le bouton. Si toutefois la flamme s'éteint, répétez le processus une fois de plus jusqu'à ce que vous obteniez une flamme stable.

ATTENTION !!! Après 2-3 tentatives infructueuses, arrêtez et vérifiez les connexions. Réessayez dans 10 minutes. Si la bouteille de gaz installée est neuve ou si le foyer n'a pas été utilisé pendant une longue période, la première chose à faire est de libérer l'air de la liaison gaz. Dans ce cas, il faudra effectuer quelques essais jusqu'à ce que la flamme s'allume.

4.2. Réglage de la taille de la flamme

- Lorsque la flamme brûle, la hauteur souhaitée de la flamme peut être ajustée et régulée en tournant le bouton dans le sens des aiguilles d'une montre ou dans le sens inverse.
- Pour obtenir une flamme plus haute, tournez le bouton dans le sens inverse des aiguilles d'une montre jusqu'à la position "Hi". Pour obtenir une flamme plus basse, tournez le bouton dans le sens des aiguilles d'une montre sur la position "Lo".

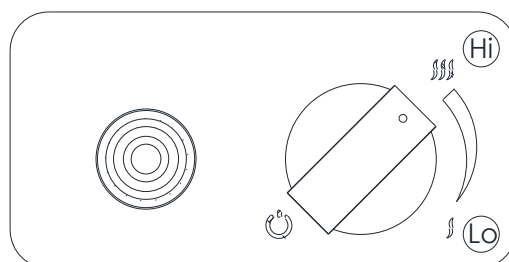


Fig 12 – Réglage de la flamme haute

4.3. Arrêt de l'appareil

- Pour éteindre l'appareil, appuyez et tournez simultanément le bouton dans le sens des aiguilles d'une montre (Fig 14). L'alimentation en gaz sera coupée et la flamme du brûleur sera éteinte.

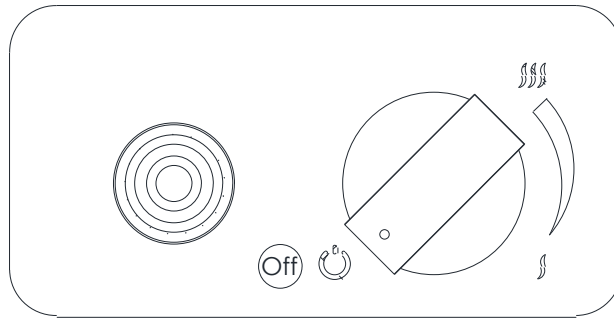


Fig 13 – Mise à l'arrêt de l'appareil

- En outre, fermez également le robinet de la bouteille de gaz.

4.4. Remplacement de la pile

Si la pile est mal insérée, l'allumeur électronique peut être irrémédiablement endommagé. Ne remplacez la pile que lorsque l'appareil est complètement éteint.

La pile est placée dans le récipient situé sur le panneau de commande, à côté du bouton de réglage de la flamme.

- Dévissez le bouton d'allumage
- Retirez la pile et placez la nouvelle pile dans le récipient.

ATTENTION ! N'oubliez pas de polariser correctement la pile.

- Vissez le couvercle du compartiment de la pile.

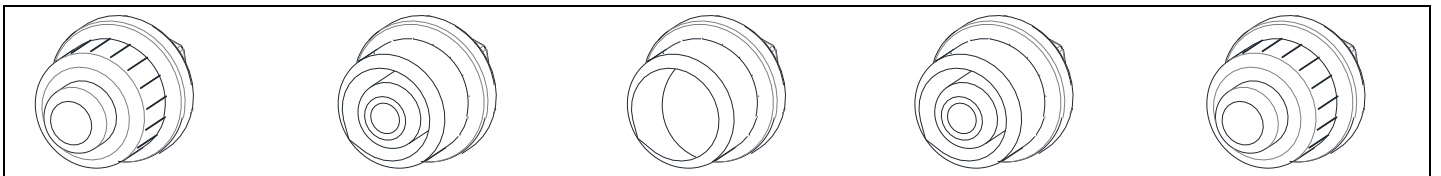


Fig 14 – Remplacement de la pile

5. TEST

AVERTISSEMENT !!! Ne jamais allumer l'appareil si l'odeur caractéristique du gaz est perceptible.

En cas de fuite de gaz, l'appareil ne doit pas être utilisé ou, s'il est allumé, l'alimentation en gaz doit être coupée et l'appareil doit être examiné et rectifié avant d'être utilisé à nouveau. Si vous sentez une odeur de gaz pendant le fonctionnement du foyer, éteignez immédiatement l'appareil et coupez l'alimentation en gaz de la bouteille de gaz en fermant son robinet.

5.1. Contrôle des fuites de gaz.

- Vérifiez si tous les raccords sont étanches.
- Pour ce faire, appliquez tous les raccords avec de l'eau savonneuse (ou de l'eau avec une autre substance mousseuse) ou avec un spray professionnel pour la détection des fuites.
- Si des bulles d'air sont présentes, cela signifie que le raccordement a une fuite.
- Éliminez les fuites dans les espaces identifiés.
- Vérifiez à nouveau l'absence de fuites.
- Après l'inspection, séchez les raccords inspectés.
- L'appareil ne peut être réutilisé qu'après avoir éliminé toutes les fuites.
- **Si le problème se reproduit, veuillez contacter le revendeur.**

5.2. Contrôle de l'aspect de la flamme.

- Faites brûler le FARO à la hauteur maximale de la flamme et vérifiez l'apparence de la flamme.
- La flamme doit être répartie uniformément sur toute la surface du brûleur principal.
- Si des trous sont visibles ou s'il y a des différences substantielles dans la hauteur de la flamme, éteignez le foyer et après que l'appareil ait refroidi, ajustez le placement des pierres décoratives de manière à ce qu'elles soient placées de manière égale sur toute la surface du brûleur principal.
- Allumez le foyer et vérifiez à nouveau l'apparence de la flamme.

6. MAINTENANCE ET ENTRETIEN

Nous vous recommandons de nettoyer l'allumeur, le thermocouple et le brûleur principal avant de remettre l'appareil en marche après l'avoir sorti de l'entrepôt pendant la période hivernale.

6.1 Contrôle et nettoyage

Please Veuillez contrôler et nettoyer si nécessaire :

- Le brûleur principal - si nécessaire, retirez les parties cassées des pierres et la poussière existante.
- Le thermocouple (si nécessaire, enlevez les sédiments existants). En cas de dommages visibles, contactez votre revendeur.
- Allumeur - l'espace entre l'allumeur et le brûleur ne doit pas être supérieur à 5 mm.
- Ecran en verre - vérifiez l'absence de taches de saleté, de rayures ou de fissures éventuelles. Si des fissures sont présentes, remplacez la vitre par une nouvelle. Pour ce faire, contactez votre revendeur.
- Liaison gaz et régulateur de pression (si leur date d'expiration n'est pas valable, remplacez ces accessoires par des neufs).
- Si vous rencontrez des problèmes avec le régulateur, la tringlerie de gaz, le brûleur ou les vannes de régulation, n'essayez pas de réparer ces pièces. Contactez un vendeur, un service agréé ou un importateur afin d'obtenir des pièces de rechange. Pour garantir le bon fonctionnement de l'appareil, utilisez uniquement des pièces de rechange d'origine.

6.2 Nettoyage des écrans en verre

La plupart des types de taches existants peuvent être essuyés avec un chiffon sec. En cas de taches plus importantes, vous pouvez utiliser des liquides normalement appliqués sur les carreaux de céramique ou les fenêtres. Séchez toujours l'écran en verre pour éviter les taches humides qui pourraient s'incruster de manière irréversible dans le verre.

AVERTISSEMENT !!! Évitez de laisser des empreintes digitales sur le verre. Elles s'incrusteront dans le verre et vous ne pourrez pas les nettoyer.

7 GARANTIE

Planika Sp. z o.o. accorde au Client une garantie de qualité pour le bon fonctionnement des biens spécifiés sur le document de vente. La garantie est déterminée pour une période donnée à partir de la date d'achat (sur la base de la carte de garantie jointe au reçu d'achat). La période de garantie commence au moment de l'achat du produit original par le premier utilisateur final. Le produit peut être constitué de plusieurs pièces distinctes et les différentes pièces peuvent être couvertes par des périodes de garantie différentes. Le fabricant accorde une garantie de 2 ans à compter de la date d'achat d'un insert pour son bon fonctionnement. L'étanchéité du foyer est couverte par la garantie pour une période de 1 an à compter de la date d'achat de l'appareil. La garantie ne couvre pas les bûches/pierres de céramique décoratives et le verre. L'utilisation de l'insert de cheminée et les conditions de fonctionnement doivent être conformes au manuel d'utilisation et à la réglementation en vigueur. La base de la réparation gratuite couverte par la garantie est une carte de garantie. La carte de garantie expirera sans date, cachets, signatures, ainsi que les modifications apportées par des personnes non autorisées. Le droit du client à la garantie expire automatiquement : après la période de garantie. Tout dommage causé par une mauvaise manipulation, stockage, d'un mauvais entretien, incompatible avec les conditions prévues dans le manuel et pour d'autres raisons non dues à la faute du fabricant, annulera la garantie. En cas de réclamation, contactez toujours votre revendeur. Le fournisseur contactera la société Planika, s'il le juge nécessaire. La garantie du fabricant est valable pendant 2 ans à compter de la date d'achat. Les détails de la garantie sont disponibles sur le site <https://www.planikafires.com/warranty-cards/>.

8 DÉPANNAGE

Avertissement ! Le montage, l'entretien et le service doivent être effectués par un professionnel qualifié ayant la qualification appropriée, une entreprise appropriée ou le fournisseur de gaz.

PROBLÈME	CAUSE POSSIBLE	ACTION CORRECTRICE
ODEUR DE GAZ	FERMEZ IMMÉDIATEMENT LE ROBINET DE LA BOUTEILLE DE GAZ. N'UTILISEZ PAS L'APPAREIL TANT QUE LES FUITES N'ONT PAS ÉTÉ ÉLIMINÉES.	
Fuite détectée au niveau de la bouteille, du régulateur ou d'une autre connexion.	<ol style="list-style-type: none"> 1. Une tringlerie de détendeur desserrée. 2. Fuite dans la tringlerie du gaz, dans le détendeur ou sur les boutons de gaz. 	<ol style="list-style-type: none"> 1. Serrez-le et testez-le. 2. Signalez ce problème au service après-vente.
Le brûleur ne s'allume pas	<ol style="list-style-type: none"> 1. La bouteille est vide. 2. La tringlerie de l'allumeur n'est pas connectée. 3. Pas d'étincelle d'allumage. 4. L'électrode de l'allumeur est placée incorrectement en face de l'allumeur. 5. Les buses de gaz sont bloquées. 6. La tringlerie de gaz est tordue. 7. La liaison du régulateur de pression est desserrée. 	<ol style="list-style-type: none"> 1. Remplacer la bouteille de gaz. 2. Connectez la tringlerie de l'allumeur. 3. Remplacer l'allumeur. 4. Réalignez l'électrode et enlevez tous les débris environnants de la zone. 5. Démontez le brûleur, nettoyez la buse. 6. Redresser la tringlerie. Maintenir la tringlerie éloignée du boîtier. 7. Serrez la tringlerie. Vérifiez l'absence de fuites.
L'allumeur ne fonctionne pas	<ol style="list-style-type: none"> 1. Le fil de l'allumeur n'est pas connecté. 2. Electrode mal alignée sur le brûleur de la veilleuse 3. Mauvais fonctionnement de l'allumeur 4. La batterie est épuisée 	<ol style="list-style-type: none"> 1. S'assurer que le fil de l'électrode pilote est connecté. 2. Réalignez l'électrode et dégagez tous les débris environnants de la zone. 3. Remplacer l'allumeur 4. Remplacer la batterie
Faible efficacité, bruits de "craquement"	<ol style="list-style-type: none"> 1. La bouteille est vide. 2. Les gicleurs du brûleur sont obstrués. 	<ol style="list-style-type: none"> 1. Remplacer la bouteille de gaz. 2. Démontez le brûleur, nettoyez la buse.
Bruits sourds émis par le détendeur.	Le robinet de la bouteille s'est ouvert rapidement.	Dévissez lentement le robinet de la bouteille.
Une flamme vive/ orange vif et fumante du brûleur.	Trous bouchés dans l'appareil produisant le mélange de gaz et d'air	Démontez le brûleur et nettoyez/débouchez les trous de l'appareil.

9 SPÉCIFICATION TECHNIQUE

Catégorie d'application		I3P			I3B/P			I3+	
Gaz de référence		G31			G30			G30	G31
Pression d'entrée	[mbar]	30	37	50	30	37	50	28-30	37
Diamètre de l'injecteur	[mm]	1,2			1,2			1,2	
Consommation de gaz	[kg/h]	0,4	0,45	0,5	0,4	0,45	0,5	0,4	0,45
Apport de chaleur nominal (Hi)	[kW]	4,5	5,0	6,4	5,1	6,4	7,4	5,1	5,1
Apport de chaleur nominal (Hs)	[kW]	5,0	5,5	7	5,6	7	8	5,6	5,6
Dispositif de sécurité	Thermocouple								
Soupape de contrôle du gaz	BS190								
Tuyau flexible (1,4 m)	Ø9mm								

VENDEUR	
Nom :	Sceau et signature du vendeur
Adresse :	
Tél/fax :	
Date de la vente :	
ACHETEUR	
Nom :	
Adresse :	
Tél/fax :	
Date d'achat :	
<p>Le foyer à gaz doit être installé par un installateur qualifié, conformément aux réglementations nationales applicables en matière de construction et aux directives contenues dans les manuels d'installation et d'utilisation.</p>	
<p>Je déclare avoir pris connaissance du manuel de l'utilisateur et des conditions de garantie.</p> <p style="text-align: center;">Date et signature lisible de l'Acheteur</p>	
INSTALLER	
Nom :	
Adresse :	
Tél/fax :	
Date de mise en service :	
<p>Je déclare par la présente que le foyer à gaz installé par mon entreprise a été installé conformément aux règlements de construction applicables et aux directives contenues dans les manuels d'installation et d'utilisation.</p> <p>Le foyer à gaz installé est prêt à fonctionner en toute sécurité.</p>	
Sceau et signature de l'installateur	

È OBBLIGATORIO LEGGERE E CONSERVARE QUESTE ISTRUZIONI.

INDICE DEI CONTENUTI

1. INTRODUZIONE	75
2. ISTRUZIONI DI SICUREZZA	76
2.1 Istruzioni di sicurezza sull'uso delle bombole di gas.....	77
3. MONTAGGIO	78
3.1. Contenuto della confezione	78
3.2. Disimballaggio e montaggio.....	79
3.3. Montaggio delle route	79
3.4. Montaggio dello schermo di vetro.....	80
3.5. Montaggio delle bombole di gas.....	80
3.5.1. Montaggio della connessione del gas e sostituzione della bombola del gas	81
3.5.2 Sostituzione del regolatore	84
4. MANUALE D'USO	85
4.1 Spegnimento del dispositivo.....	85
4.2 Regolazione della dimensione della fiamma	86
4.3 Spegnimento del dispositivo.....	87
4.4. Sostituzione della batteria	87
5. CONTROLLI	87
5.1 Controllo delle perdite di gas.....	88
5.2 Controllo dell'aspetto della fiamma.....	88
6. MANUTENZIONE E MANTENIMENTO	88
6.1. Controlli e pulizia	88
6.2. Pulizia degli schermi di vetro	89
7. GARANZIA	89
8. RISOLUZIONE DEI PROBLEMI	90
9. TECHNICAL SPECIFICATION	90

1. INTRODUZIONE

Il caminetto KF 22 è un apparecchio decorativo a gas ad effetto combustibile destinato esclusivamente all'uso all'aperto o in aree ampiamente ventilate. È obbligatorio prendere conoscenza delle seguenti istruzioni per l'installazione e del manuale d'uso, prima di impegnarsi nell'installazione e nell'uso del caminetto KF 22. Questo manuale deve essere conservato con cura per tutta la durata di vita dell'apparecchio.

Dichiarazione di conformità CE

Con la presente dichiariamo che sia la progettazione che la costruzione di un dispositivo di riscaldamento a gas prodotto da **Planika Sp. z o.o. (con sede legale in Bydgoskich Przemysłowców 10 85-862 Bydgoszcz, Polonia)** Regolamento (UE) 2016/462 del Parlamento Europeo e del Consiglio del 9 marzo 2016 (GAR) sugli apparecchi che bruciano combustibili gassosi.

Prodotto: Riscaldatori per patio

Tipo: KF 22

Regolamento: 2016/426

Norme: PN-EN 14543:2017-09

Organismo notificato: Kiwa Nederland B.V, Wilmersdorf 50, P.O. Box 137, 7300 AC APELDOORN, The Netherland (NB0476) sulla base dell'esame UE del tipo (tipo di produzione) - modulo B in conformità all'allegato III, punto 1 del suddetto regolamento ha rilasciato il certificato di esame UE del tipo n. 19GR0374_01 il 04/06/2021.

La supervisione della produzione nel modulo C2 è effettuata dall'ISTITUTO DEL PETROLIO E DEL GAS - Istituto Nazionale di Ricerca, PL 31-501 Cracovia, via Lubicza (NB1450) e NR 25 del certificato di supervisione n. 1450-GAR-027 il 21 ottobre 2021 sec. fino al 10/06/2022.

Il sistema di controllo della qualità dell'azienda garantisce che i dispositivi prodotti in serie soddisfino i requisiti essenziali delle Direttive e dei Regolamenti applicabili, nonché gli standard in essi contenuti. La presente dichiarazione viene annullata se vengono apportate modifiche al dispositivo senza il previo consenso scritto di Planika.


PREZES ZARZĄDU
Jarosław Dąbrowski

Chairman of the Board

Jarosław Dąbrowski

2. ISTRUZIONI DI SICUREZZA

- **Leggete le istruzioni prima dell'uso. Conservate le istruzioni per riferimenti futuri.**
- Da usare solo all'aperto o in aree ampiamente ventilate. L'uso di questo apparecchio in aree chiuse è PERICOLOSO ed è VIETATO.
- Un'area ampiamente ventilata deve avere almeno il 25% della superficie aperta. La superficie è la somma della superficie delle pareti.

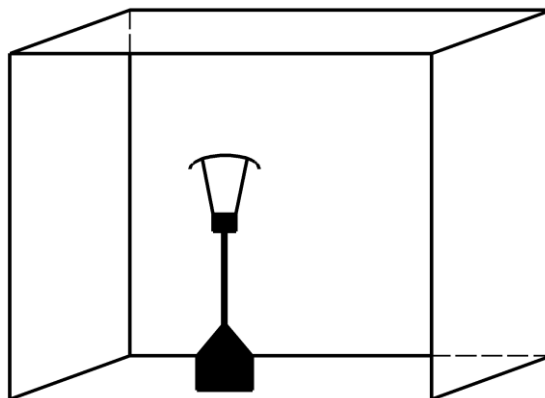


Fig 1 – Area di ventilazione minima

- Non spostare l'apparecchio quando è in funzione.
- Chiudete la valvola della bombola del gas o del regolatore prima di spostare l'apparecchio.
- In caso di vento violento, bisogna prendere delle precauzioni per evitare il ribaltamento dell'apparecchio.
- Questo apparecchio deve essere utilizzato, e la bombola del gas conservata, secondo le norme in vigore.
- Il caminetto FARO deve essere installato e controllato annualmente secondo il manuale d'installazione che segue e le leggi nazionali e locali vigenti in materia di sicurezza del gas (installazione e uso).
- Bisogna valutare se i dati della targhetta del prodotto sono conformi al tipo di gas e alla pressione locale.
- Non cambiare la struttura dell'apparecchio o i suoi elementi sigillati e non modificare le impostazioni predefinite del caminetto FARO.
- Non mettere ulteriori blocchi d'imitazione né frammenti di carbone incandescente sul bruciatore o nella camera di combustione.
- Un estintore a CO₂ o a polvere deve essere posto vicino all'apparecchio.
- Durante la prima accensione il caminetto FARO deve essere acceso al massimo livello per alcune ore affinché gli elementi acquisiscano la giusta temperatura e affinché i resti di vernice, lacche e lubrificanti evaporino.
- Non spostare l'apparecchio mentre è in funzione.
- Il FARO è stato progettato per scopi decorativi. La superficie del caminetto FARO compresi gli schermi di vetro può diventare calda (fino a 100 gradi Celsius) ad eccezione delle pareti laterali dell'apparecchio e del pannello di controllo.
- **ATTENZIONE!!!** Le parti del dispositivo che sono facili da raggiungere possono essere molto calde. Tenere i bambini lontani dal dispositivo.
- I pannelli di vetro devono essere installati durante l'utilizzo del FARO.

- Questo apparecchio deve essere tenuto lontano da materiali infiammabili durante l'uso. Non collocare alcun materiale combustibile entro una distanza di 0,3 m da FARO e 1 m sopra l'apparecchio (Fig 2).

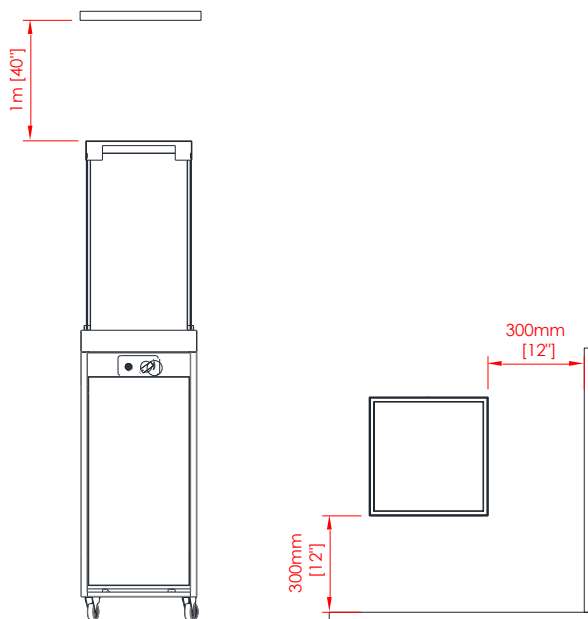


Fig 2 – Distanze minime

- Quando il caminetto FARO è acceso non deve essere esposto alla pioggia.
- Quando non viene usato, il FARO deve essere protetto dalle condizioni atmosferiche e la valvola principale della bombola del gas deve essere chiusa.
- Se il FARO non viene utilizzato per un lungo periodo di tempo (ad esempio in inverno), vi consigliamo di riporlo all'interno.
- Tutte le parti del caminetto FARO sono fatte di materiale resistente alle macchie.
- Non lasciate mai un FARO acceso senza sorveglianza.
- Il caminetto FARO deve essere installato in un luogo inaccessibile ai bambini, alle persone non autorizzate o agli animali affinché sia impossibile il contatto diretto con la fiamma o con le parti calde dell'apparecchio.
- In caso di vento forte, il caminetto FARO deve essere immediatamente spento e bisogna aspettare che il vento forte passi.
- Se si notano delle perdite di gas, bisogna spegnere sia il caminetto che la valvola principale della bombola del gas.
- Dopo l'uso, spegnete la valvola della bombola del gas.
- L'ambiente marino salato accelera il processo di corrosione e contribuisce al danneggiamento del caminetto

2.1 **Istruzioni di sicurezza sull'uso delle bombole di gas.**

- Usate solo il tipo di gas e la pressione specificati dal produttore.
- Cambiate la bombola di gas in una zona ampiamente ventilata, lontano da qualsiasi fonte di accensione (candela, sigarette, altri apparecchi che producono fiamme).
- Non ostruire i fori di ventilazione dell'alloggiamento della bombola.
- In caso di perdita di gas, l'apparecchio non deve essere utilizzato o, se è acceso, l'alimentazione del gas deve essere interrotta e l'apparecchio deve essere esaminato e corretto prima di essere utilizzato di nuovo.
- Le bombole di gas devono essere sempre posizionate in verticale - durante l'uso e il trasporto.

- Conservate sempre la bombola di gas in un luogo facilmente accessibile per permetterne lo spegnimento immediato.
- Durante il processo di installazione non permettete che una fiamma aperta o qualsiasi oggetto infiammato raggiunga la bombola del gas.
- Le perdite devono essere trovate con l'uso di un liquido di pulizia e acqua. Se si formano delle bolle sulla superficie, significa che c'è una perdita esistente.
- Usate sempre un regolatore di pressione tra la bombola di gas e l'apparecchio. Sostituite il regolatore di pressione ogni 5 anni. Le pressioni consentite sono: 30mbar, 37mbar (consigliato), 50 mbar. Utilizzate solo regolatori conformi alla norma europea EN16129.
- Usate solo raccordi per il collegamento del gas approvati e certificati. Sostituite il raccordo ogni 2 anni.
- Controllate il tubo flessibile almeno una volta al mese e ogni volta che la bombola viene cambiata. Se mostra segni di crepe, spaccature o altri deterioramenti, deve essere sostituito con un tubo nuovo della stessa lunghezza e di qualità equivalente.
- Non collegare la bombola di gas direttamente all'apparecchio senza regolatore.
- La tubazione o il tubo flessibile devono essere sostituiti entro gli intervalli prescritti.
- Utilizzate solo il tipo di gas e il tipo di bombola specificati in queste istruzioni.
- Il collegamento elastico che collega il gas al caminetto deve essere condotto lontano da spigoli taglienti e superfici calde. Evitate di piegare e torcere il collegamento elastico su tutta la sua lunghezza.
- Ricordate che la bombola di GPL deve essere conservata in un luogo ben ventilato. Il gas GPL è più pesante dell'aria e il suo accumulo vicino alla superficie inferiore può generare una miscela esplosiva.
- La bombola di gas deve essere chiusa se il caminetto non viene utilizzato.
- Il riempimento delle bombole di gas deve essere affidato a stazioni di rifornimento certificate.
- La sostituzione delle bombole vuote con quelle piene deve essere effettuata solo in luoghi autorizzati.

3. MONTAGGIO

3.1. Contenuto della confezione

- 1x caminetto FARO completo
- 4x schermi in vetro temperato
- 4x Angolo di vetro
- 8x Tubo di vetro in silicone
- 1x sacchetto di pietre decorative
- 4x ruote
- 1x batteria AAA
- 1x 1,4 metri di tubo flessibile Ø9mm - installato
- 1x regolatore di pressione (37mbar) - installato
- 1x chiave inglese
- 1x manuale di installazione e manuale d'uso

3.2. Disimballaggio e montaggio

- Il contenuto delle confezioni deve essere accuratamente disimballato dalla pellicola di schiuma.
- Togliete i sacchetti con le pietre decorative dal serbatoio del bruciatore e metteteli lontano da esso.
- Estraete con attenzione lo schermo di vetro imballato nel cartone posto all'interno dell'apparecchio
- Verificate la completezza degli elementi con la lista del contenuto.
- Assicuratevi che l'apparecchio e i suoi elementi non siano stati danneggiati durante il trasporto (se lo sono stati, avvisate il fornitore).
- Posizionate il FARO su una superficie piana e pavimentata all'esterno dell'edificio, preferibilmente sul luogo d'installazione finale. Lasciate uno spazio sufficiente sul lato dell'apparecchio dove si trova il pannello di controllo (minimo 1 m).
- Le pietre decorative devono essere distribuite uniformemente nell'apposito foro per coprire completamente il bruciatore del camino.

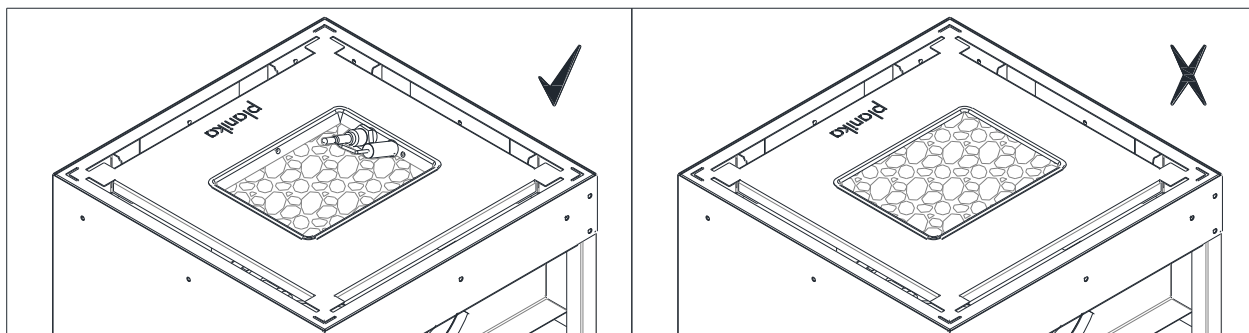


Fig 3 – Pietre decorative disposte sul bruciatore

3.3. Montaggio delle ruote

	<p>Togliere delicatamente la porta sollevandola verso l'alto e poi verso l'esterno. Posizionare il caminetto con l'apertura rivolta verso l'alto.</p> <p>Attenzione Proteggere l'apparecchio da eventuali graffi prima di posizionarlo.</p>
	<p>Inserire la vite della ruota attraverso il foro sul fondo dell'unità (1) e fissarla con la rondella (2) e il dado (3) dall'interno. Utilizzare la chiave (4) per serrare la ruota.</p>
	<p>Montare 2 ruote con freni sul lato della porta del cilindro a gas e 2 ruote senza freni sul lato opposto. Riportare il prodotto in posizione verticale.</p>

Fig 4 – Montaggio delle ruote

3.4. Montaggio dello schermo di vetro

- Rimuovere con cura il cartone e la pellicola di schiuma dagli schermi di vetro.
- Rimuovere dagli schermi di vetro tutte le impurità che potrebbero bruciare sul vetro durante il funzionamento del FARO (in particolare le impronte digitali).
- Inserire i tubi di vetro siliconico sugli elementi dedicati (dettaglio) e installare gli schermi di vetro nei corrispondenti
- Montare gli angoli dello schermo di vetro sopra il vetro (dettaglio) e poi installare la calotta metallica.
- Rimuovere lo schermo di vetro solo in caso di danneggiamento del vetro.

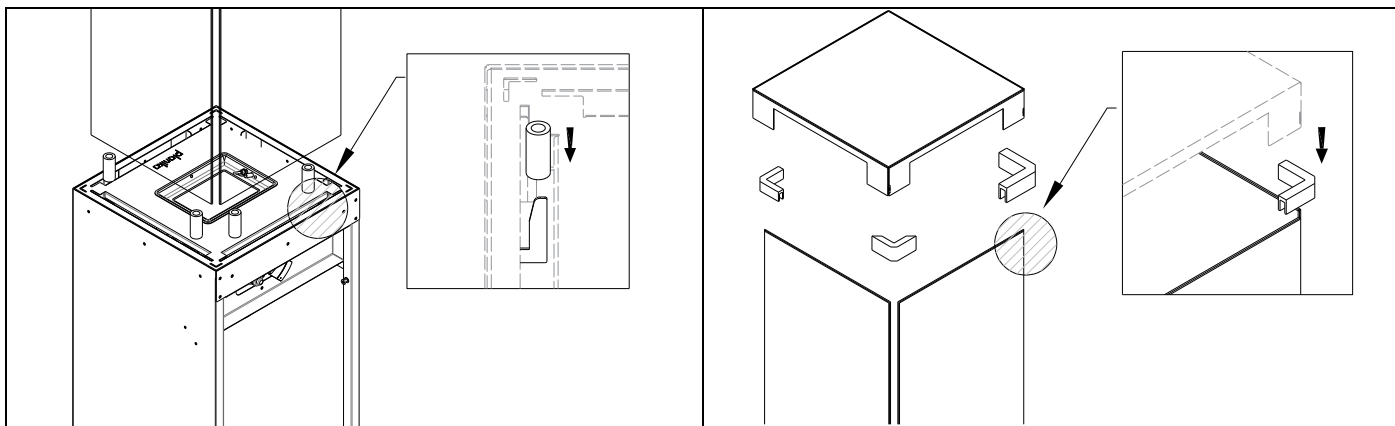


Fig 5- Installazione del vetro nelle fessure e della calotta metallica sul vetro

3.5. Montaggio delle bombole di gas

Il collegamento del gas attaccato al dispositivo permette di posizionare la bombola di gas al massimo 1 metro di distanza dal pannello di controllo collegato durante la sua sostituzione. Durante il funzionamento, la bombola di gas è nascosta all'interno del dispositivo dietro porte facilmente rimovibili.

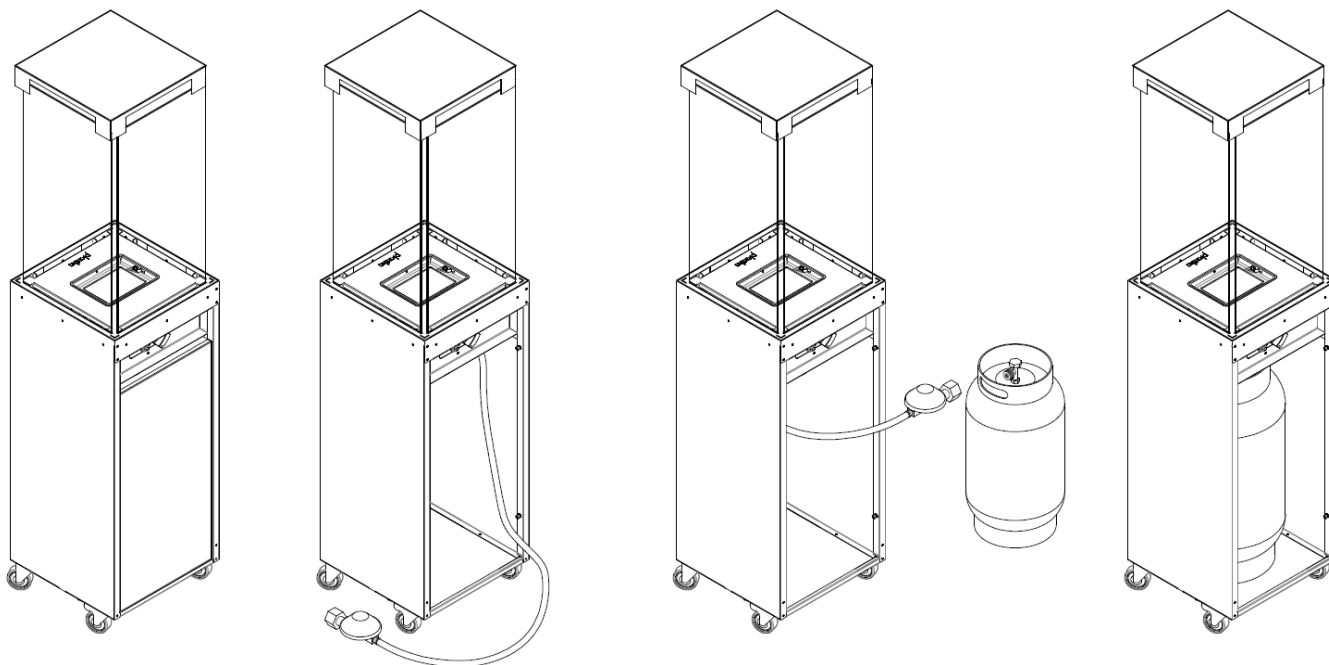


Fig 6- Montaggio delle bombole di gas

- L'alloggiamento della bombola di gas non è ermetico e deve essere adeguatamente ventilato. È dotato di una fessura di ventilazione superiore, sopra la parte superiore del cilindro (con un'area di almeno 1/100 della superficie della base dell'alloggiamento) e una fessura di ventilazione inferiore (con un'area di almeno 1/50 della superficie della base dell'alloggiamento).

ATTENZIONE!!! Prima di sostituire la bombola del gas, si prega di bloccare le ruote del dispositivo.

3.5.1. Montaggio della connessione del gas e sostituzione della bombola del gas

ATTENZIONE!!! L'installazione e la manutenzione devono essere eseguite da un professionista qualificato, da un'azienda o dal fornitore di gas.

Prima di procedere al collegamento della bombola del gas al caminetto, devono essere già state eseguite tutte le attività relative al corretto posizionamento e all'installazione del FARO. Posizionare il raccordo del gas lontano da bordi caldi o taglienti e assicurarsi che non sia attorcigliato.

Il FARO viene consegnato insieme a un raccordo elastico per il gas che, da un lato, è collegato alla valvola dell'apparecchio e, dall'altro, al regolatore del gas pronto per essere collegato alla bombola del gas.

Pressure reducer type	Country	Connection Type	Inlet Diameter	Output
Type A	FR, UK, IE	Clip On	27 mm	G1/4"-LH
Type B	ES, DK, NO, FI, EE, PT, CY	Clip On	35 mm	G1/4"-LH
Type C	PL, DE, LT, AL, BE, CZ, SK, SI, LV, HR, CH, UA, RS, MK, BiH	Twist On	23 mm	G1/4"-LH
Type D	IT, GR	Twist On	20 mm	G1/4"-LH

Se la bombola del gas ha una dimensione di ingresso diversa o richiede un regolatore diverso, sostituire il regolatore in dotazione con quello richiesto (disponibile separatamente sul mercato locale).

È necessario controllare la data di scadenza sia del regolatore che del raccordo del gas e, se necessario (ad esempio: raccordo rotto, tagliato, graffiato), sostituire i componenti con altri nuovi secondo gli standard e le norme nazionali.

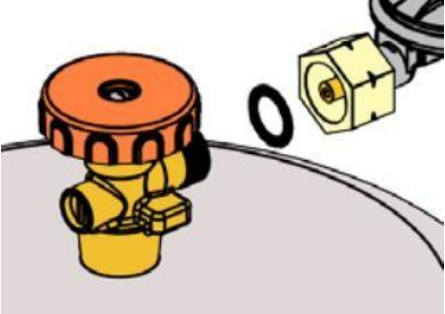


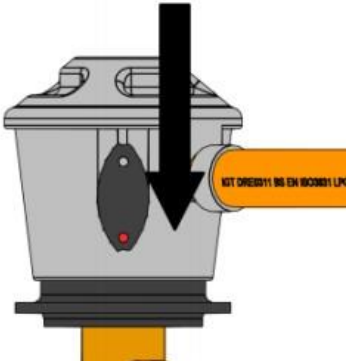
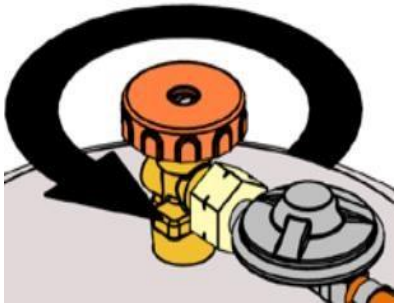

Il caminetto FARO può utilizzare bombole di metallo o acciaio o bombole composite riempite con gas propano-butano o gas propano.

ATTENZIONE!!! Non utilizzare MAI un collegamento del gas instabile (senza regolatore).

Le bombole di gas hanno due tipi di connettori:

- Connessione a rotazione: La cosa più importante è la guarnizione nera. Controllate sempre se la guarnizione è presente e se non è stata danneggiata durante la sostituzione della bombola del gas. Alcuni collegamenti hanno una manopola per fissarli in posizione, mentre altri richiedono l'uso di una chiave. Serrate saldamente (filettatura sinistra). Usando l'attrezzo, fate attenzione a non stringere troppo la connessione perché questo potrebbe danneggiare la guarnizione.
- Sgancio rapido: Per questo tipo di collegamento non è necessario alcun attrezzo. La regolazione on/off del collegamento del gas avviene tramite un interruttore sul regolatore o su un connettore speciale. Nel caso in cui si utilizzi un connettore con un regolatore a filettatura di vecchio tipo, è necessario controllare se il dado di collegamento è stato ben fissato con l'aiuto di una chiave.

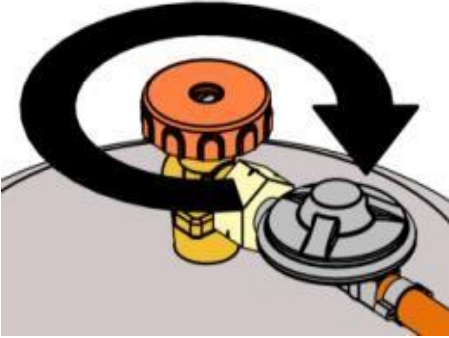
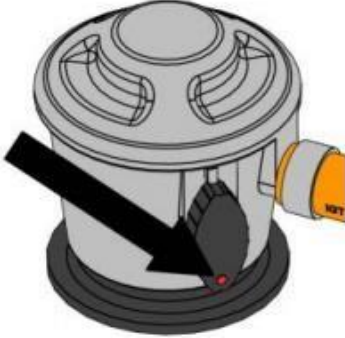

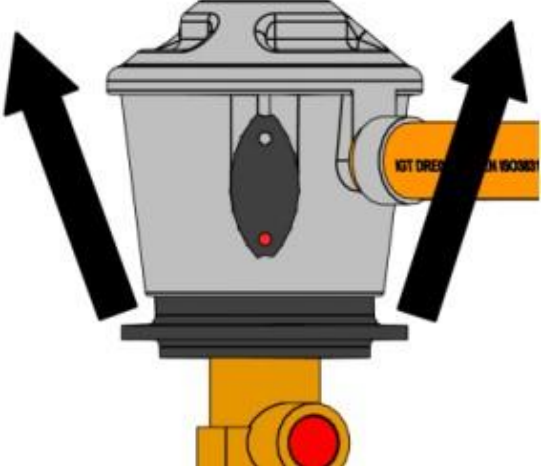
Collegamento della bombola del gas

Connessione a rotazione	Sgancio rapido
<ol style="list-style-type: none">1. Verificate se la valvola della bottiglia è SPENTA ruotandola in senso orario2. Rimuovete il puntale di protezione e conservatelo per un uso successivo.	<ol style="list-style-type: none">1. Rimuovete la punta di protezione. Non utilizzare alcuno strumento, lasciate la punta appesa liberamente.
<ol style="list-style-type: none">3. Prima di effettuare il collegamento controllate che la guarnizione nera non sia danneggiata. 	<ol style="list-style-type: none">2. Assicuratevi che tutti i rubinetti del dispositivo a gas siano chiusi e che l'interruttore sia in posizione OFF. 
<ol style="list-style-type: none">4. Montate il dado di collegamento alla bombola con l'uso di una chiave corretta o della manopola di collegamento (filettatura sinistra). Non stringere troppo i connettori delle bombole di gas. 	<ol style="list-style-type: none">3. Posizionate il regolatore a sgancio rapido sulla valvola e premetelo con forza. Se l'interruttore è stato spento correttamente si sentirà un caratteristico clic. 
<ol style="list-style-type: none">5. Quando il flusso di gas è richiesto, ruotate la valvola della bottiglia in senso antiorario. 	<ol style="list-style-type: none">4. Per far fluire il gas, mettete l'interruttore in posizione ON (o nell'immagine della fiamma). 

ATTENZIONE!!! Controllate il collegamento del gas per individuare eventuali perdite. Se qualcosa suggerisce la presenza di una perdita (per esempio un odore caratteristico di gas), chiudete la valvola della bombola del gas e in nessun caso accendete l'apparecchio prima di aver eliminato la perdita.

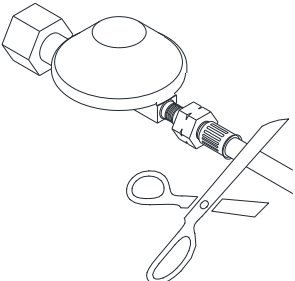
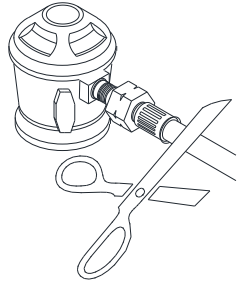
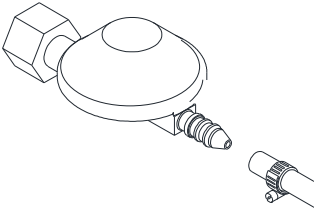
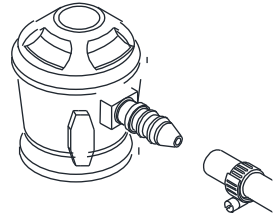
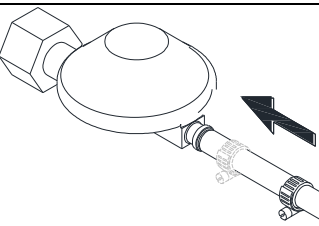
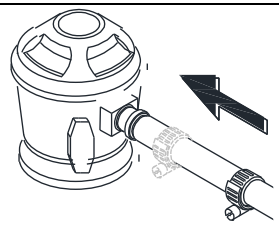
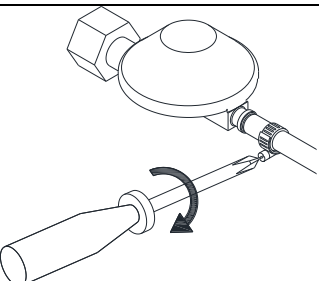
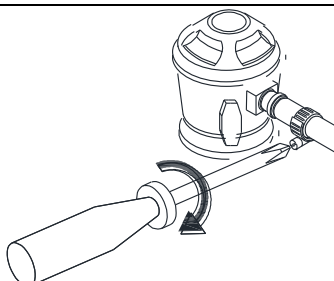
- Dopo aver rimosso la perdita si può riaprire la valvola della bombola del gas.

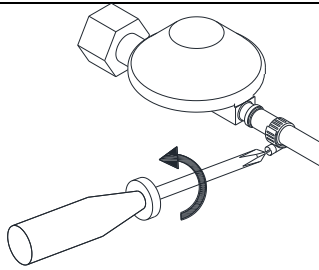
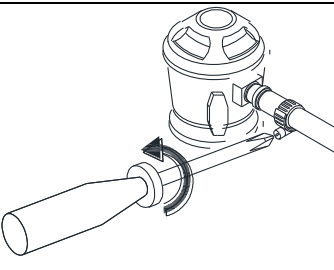
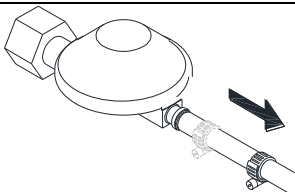
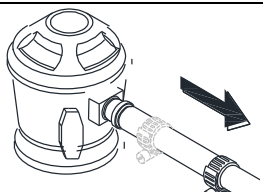
Scollegamento della bombola del gas

Connessione a rotazione	Sgancio rapido
<p>1. Spegnete il FARO - mettetelo in posizione OFF. Il bruciatore principale deve essere spento.</p> <p>2. Ruotate la valvola della bottiglia in posizione OFF (in senso orario).</p> 	<p>2. Mettete l'interruttore in posizione OFF.</p> 
<p>3. Non rimuovere MAI il regolatore (o il dado di collegamento) mentre la valvola della bombola è aperta.</p> <p>4. Rimuovete il regolatore (o il dado di collegamento) usando una chiave o una manopola di collegamento.</p> 	<p>3. Rimuovete il regolatore a sgancio rapido premendo l'interruttore orizzontalmente mentre tirate l'intero regolatore verso l'alto.</p> 
<p>5. SOSTITUIRE la chiusura o il tappo della bottiglia vuota o parzialmente piena se non viene utilizzata.</p>	<p>4. SOSTITUIRE il tappo di chiusura su una bottiglia vuota o parzialmente piena se non viene utilizzata.</p>

3.5.2. Sostituzione del regolatore

1. Utilizzate sempre un regolatore di pressione tra la bombola del gas e l'apparecchio. Il regolatore di pressione dovrebbe essere sostituito ogni 5 anni. Pressioni ammissibili: 30 mbar, 37 mbar (raccomandato), 50 mbar. Utilizzate solo regolatori conformi alla norma europea EN16129.
2. Spegnete il FARO - la posizione "OFF". Il bruciatore principale deve essere spento.
3. Scollegate il regolatore dalla bombola del gas (descrizione sopra).

	Connessione a rotazione	Sgancio rapido
4. Tagliate il regolatore di pressione fornito o andate alla sezione 4.1 se avete un regolatore di pressione con una connessione a morsetto.		
5. Sostituite il regolatore con uno nuovo con collegamento a morsetto attaccando il nuovo collegamento sulla punta del regolatore.		
6. Spostate il morsetto nella punta.		
7. Stringete il morsetto con un cacciavite (philips) o una chiave piatta. ATTENZIONE! In caso di danni visibili sul morsetto, sostituitelo con uno nuovo.		

	Connessione a rotazione	Sgancio rapido
4.1. Allentare il morsetto metallico con un cacciavite (philips) o una chiave piatta.		
4.2 Allontanare il morsetto dal raccordo del regolatore del gas e passare al punto 5.		

- FARO è dotato di una valvola antiribaltamento che spegne l'apparecchio nel caso in cui il caminetto sia inclinato o collassato. La valvola interrompe automaticamente la fornitura di gas al controllore e questo spegne la fiamma.

ATTENZIONE!!! Assicuratevi che la valvola antiribaltamento sia sempre installata in posizione verticale.

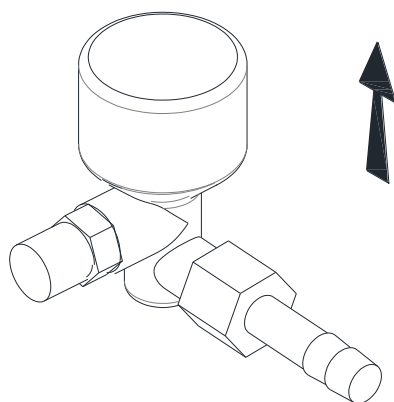


Fig 7– Sensore antiribaltamento

4. MANUALE D'USO

Il caminetto FARO ha una valvola di controllo con un'accensione incorporata per il bruciatore principale (senza fiamma pilota). L'altezza della fiamma del bruciatore principale può essere opportunamente regolata girando la manopola. Accanto alla manopola si trova il pulsante di accensione elettrica (alimentato da una batteria AAA). Il pannello di controllo si trova di fronte, appena sopra lo sportello del vano della bombola del gas.

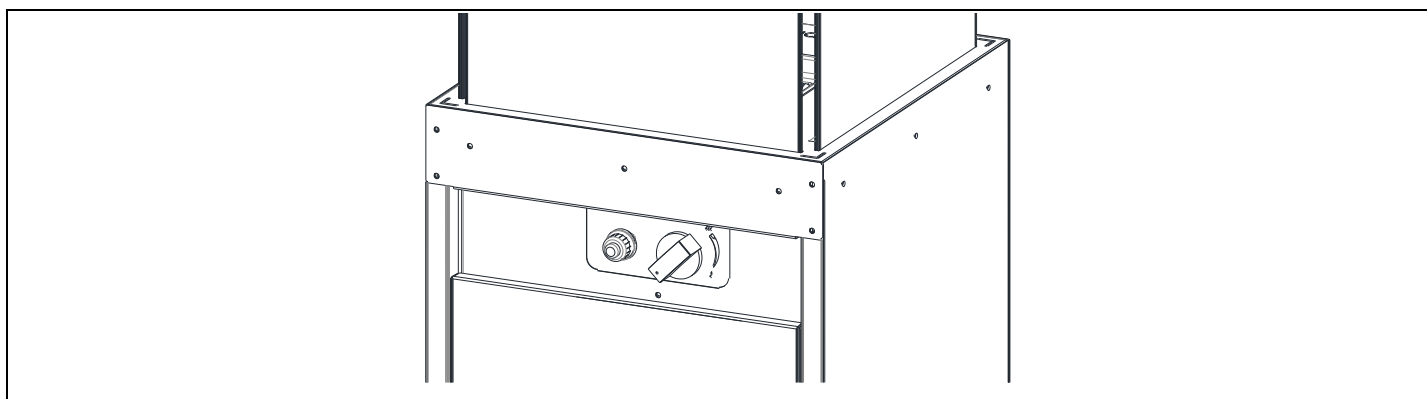


Fig 8– Pannello di controllo

4.1. Spegnimento del dispositivo

- Assicuratevi che la manopola sia posta in posizione "OFF" (tutta in senso orario) (Fig 10).

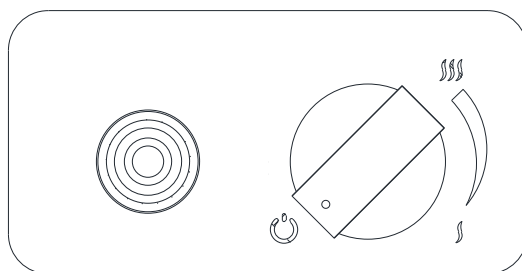


Fig 9 – Posizione di spegnimento

- Aprite la valvola della bombola del gas.

- Premete la manopola e, sempre premendo, ruotatela in senso antiorario dalla posizione (1) alla posizione (2)

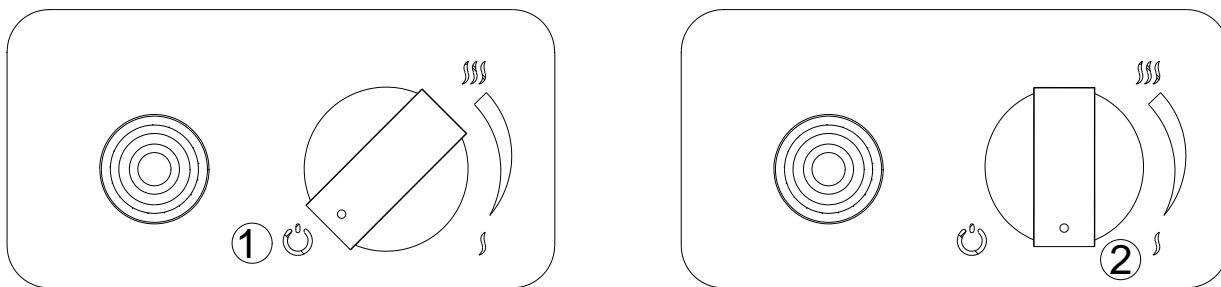


Fig 10 – Accensione del dispositivo

- Tenendo la manopola ancora premuta, accendete la fiamma premendo il pulsante di accensione (3).

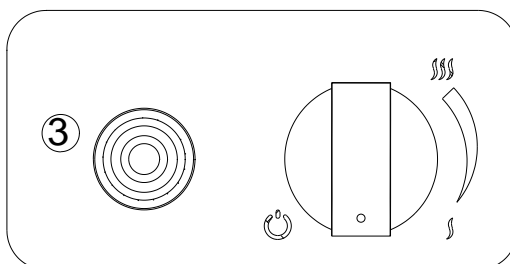


Fig 11 – Premendo il pulsante "on"

- Apparirà una scintilla che accende il bruciatore principale all'altezza minima della fiamma. Se la fiamma non si è accesa, ripetete questo processo 2-3 volte. Questo sarà necessario soprattutto quando avete sostituito e installato una nuova bombola di gas GPL.
- Quando la fiamma si è accesa, tenete la manopola per circa 5 secondi finché la termocoppia, che manterrà la valvola principale in posizione aperta, si riscalda.
- Ora potete rilasciare la manopola. Se però la fiamma si spegne, ripetete ancora una volta il processo fino ad ottenere una fiamma stabile

ATTENZIONE!!! Dopo 2-3 tentativi infruttuosi terminate e controllate le connessioni. Riprovate tra 10 minuti. Se la bombola del gas installata è nuova o se il caminetto non è stato usato per un lungo periodo, la prima cosa da fare è quella di far uscire l'aria dal collegamento del gas. In questo caso saranno necessari alcuni tentativi fino all'accensione della fiamma.

4.2. Regolazione della dimensione della fiamma

- Quando la fiamma è accesa, l'altezza desiderata della fiamma può essere regolata ruotando la manopola in senso orario o antiorario.
- Per ottenere una fiamma più alta, ruotate la manopola in senso antiorario fino alla posizione "Hi". Per ottenere una fiamma più bassa, ruotate la manopola in senso orario fino alla posizione "Lo".

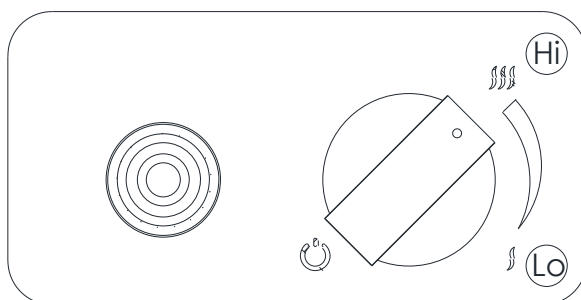


Fig 12 – Regolazione della fiamma alta

4.3. Spegnimento del dispositivo

- Per spegnere l'apparecchio, premete e ruotate contemporaneamente la manopola in senso orario (fig. 14). L'alimentazione del gas sarà interrotta e la fiamma del bruciatore sarà spenta.

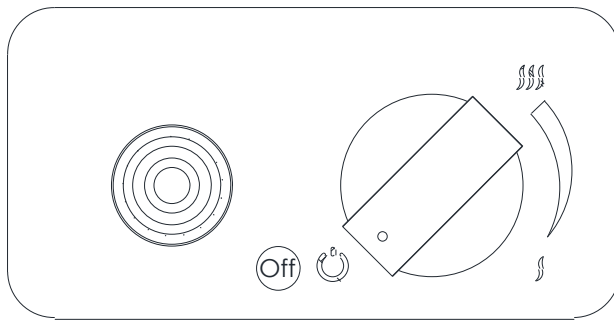


Fig 13 – Spegnimento del dispositivo

- Inoltre, chiudete anche la valvola della bombola del gas.

4.4. Sostituzione della batteria

Se la batteria viene inserita in modo sbagliato, l'accenditore elettronico può essere danneggiato irreparabilmente. Sostituite la batteria solo dopo aver spento completamente l'apparecchio.

La batteria si trova nel contenitore situato sul pannello di controllo accanto alla manopola di regolazione della fiamma.

- Svitare il pulsante di accensione
- Rimuovete la batteria e mettete quella nuova nel contenitore.
ATTENZIONE!!! Ricordate di polarizzare correttamente la batteria.
- Avvitare il coperchio del contenitore delle batterie.

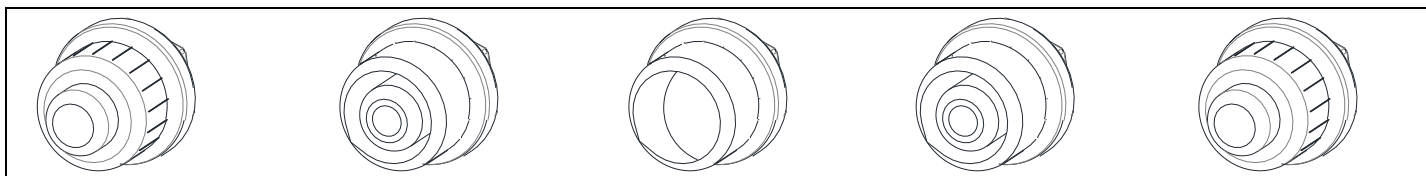


Fig 14 – Sostituzione della batteria

5. CONTROLLI

ATTENZIONE!!! NON ACCENDERE MAI L'APPARECCHIO SE SI PERCEPISCE L'ODORE CARATTERISTICO DEL GAS.

In caso di perdita di gas, l'apparecchio non deve essere utilizzato o, se acceso, l'alimentazione del gas deve essere interrotta e l'apparecchio deve essere esaminato e rettificato prima di essere utilizzato di nuovo. Se si sente odore di gas durante il funzionamento del caminetto, si deve immediatamente spegnere l'apparecchio e interrompere l'alimentazione del gas dalla bombola chiudendo la sua valvola.

5.1. Controllo delle perdite di gas.

- Controllate se tutte le connessioni sono ermetiche.
- Per farlo, applicate tutte le connessioni con acqua saponata (o acqua con un'altra sostanza schiumosa) o con uno spray professionale per il rilevamento delle perdite.
- Se sono presenti bolle d'aria, significa che la connessione ha una perdita.
- Rimuovete le perdite negli spazi identificati.
- Controllate ancora una volta la presenza di perdite.
- Dopo l'ispezione asciugate le connessioni ispezionate.
- Il dispositivo può essere utilizzato di nuovo solo dopo aver rimosso tutte le perdite.
- **Se il problema si ripresenta, contattate il rivenditore.**

5.2. Controllo dell'aspetto della fiamma.

- Bruciate il FARO all'altezza massima della fiamma e controllate l'aspetto della fiamma.
- La fiamma deve essere disposta uniformemente su tutta la superficie del bruciatore principale.
- Se sono presenti spazi vuoti visibili o ci sono differenze sostanziali nell'altezza della fiamma, spegnete il caminetto e, dopo che l'apparecchio si è raffreddato, regolate il posizionamento delle pietre decorative in modo tale che siano disposte uniformemente su tutta la superficie del bruciatore principale.
- Accendete il caminetto e controllate ancora una volta l'aspetto della fiamma.

6. MANUTENZIONE E MANTENIMENTO

Si raccomanda di pulire l'accenditore, la termocoppia e il bruciatore principale prima di rimettere in funzione l'apparecchio dopo che è stato rimosso dal magazzino durante il periodo invernale.

6.1. Controlli e pulizia

Si prega di controllare e pulire se necessario:

- Il bruciatore principale - se necessario, rimuovete le parti rotte delle pietre e la polvere esistente.
- La termocoppia (se necessario, rimuovete il sedimento esistente). In caso di danni visibili contattate il vostro rivenditore.
- Accenditore - lo spazio tra l'accenditore e il bruciatore non dovrebbe essere più grande di 5 mm.
- Schermo di vetro - controllate che non ci siano macchie di sporco o possibili graffi o crepe. Se ci sono crepe, sostituite lo schermo di vetro con uno nuovo. Per fare questo contattate il vostro rivenditore.
- Collegamento del gas e regolatore di pressione (se la loro data di scadenza non è valida, sostituite questi accessori con altri nuovi).
- Se avete riscontrato problemi con il regolatore, il collegamento del gas, il bruciatore o le valvole di regolazione, non cercate di riparare queste parti. Contattate un venditore, un servizio autorizzato o un importatore per acquistare i pezzi di ricambio. Per garantire un funzionamento efficiente dell'apparecchio, utilizzate solo pezzi di ricambio originali.

6.2. Pulizia degli schermi di vetro

La maggior parte dei tipi di macchie esistenti possono essere puliti con un panno asciutto. Per le sbavature più consistenti si può usare un liquido da applicare normalmente alle piastrelle di ceramica o alle finestre. Asciugate sempre lo schermo di vetro per evitare macchie umide che potrebbero conficcarsi irreversibilmente nel vetro.

ATTENZIONE!!! Evitate di lasciare impronte digitali sul vetro. Saranno incorporate nel vetro e non sarà possibile pulirle.

7. GARANZIA

Planika Sp. z o.o. concede al Cliente la garanzia di qualità per il buon funzionamento dei beni specificati nel documento di vendita. La garanzia è determinata per un determinato periodo dalla data di acquisto (sulla base della scheda di garanzia insieme alla ricevuta di acquisto). Il periodo di garanzia inizia al momento dell'acquisto del prodotto originale da parte del primo utente finale. Il prodotto può essere composto da più parti separate e le diverse parti possono essere coperte da un periodo di garanzia diverso. Il produttore fornisce una garanzia di 2 anni dalla data di acquisto di un inserto per il suo buon funzionamento. L'impermeabilizzazione del caminetto è coperta da garanzia per un periodo di 1 anno dalla data di acquisto dell'apparecchio. La garanzia non copre i ceppi/pietre decorative in ceramica e il vetro. L'uso dell'inserto per caminetto e le condizioni di funzionamento devono essere conformi al manuale d'uso e alle normative vigenti. La base per la riparazione gratuita coperta da garanzia è una scheda di garanzia. Il certificato di garanzia scadrà senza data, timbri, firme e modifiche apportate da persone non autorizzate. Il diritto del cliente alla garanzia scadrà automaticamente: dopo il periodo di garanzia. Eventuali danni causati da uso improprio, immagazzinamento, scarsa manutenzione, incompatibilità con le condizioni stabilite nel manuale e per altri motivi non imputabili al produttore, annulleranno la garanzia. In caso di reclamo, rivolgersi sempre al proprio rivenditore. Il fornitore contatterà la società Planika, se lo riterrà necessario. La garanzia di fabbrica è valida per 2 anni dalla data di acquisto. I dettagli della garanzia sono disponibili sul sito <https://www.planikafires.com/warranty-cards/>.

8. RISOLUZIONE DEI PROBLEMI

ATTENZIONE!!! Il montaggio, la manutenzione e l'assistenza devono essere condotti da un professionista qualificato con una qualifica adeguata, da un'azienda adeguata o dal fornitore del gas.

PROBLEMA	CAUSA POSSIBILE	AZIONE CORRETTIVA
ODORE DI GAS	CHIUDETE IMMEDIATAMENTE LA VALVOLA DELLA BOMBOLA DEL GAS. NON UTILIZZARE L'APPARECCHIO FINO A QUANDO NON SIANO STATE ELIMINATE LE PERDITE	
Perdita rilevata alla bombola, regolatore o altra connessione	Un collegamento del regolatore allentato Perdita nel collegamento del gas, nel regolatore o sulle manopole del gas	Stringete e testate Segnalate questo problema al servizio di assistenza
Il bruciatore non si accende	La bombola è vuota. Il collegamento dell'accenditore non è collegato. Nessuna scintilla di accensione. 4. L'elettrodo dell'accenditore è posizionato in modo sbagliato di fronte all'accenditore. Gli ugelli del gas sono bloccati. Il collegamento del gas è attorcigliato. 7. Il collegamento del regolatore di pressione è allentato.	Sostituite la bombola del gas. Collegate il collegamento dell'accenditore. Sostituite l'accenditore. Riallineate l'elettrodo e rimuovete dall'area tutti i detriti circostanti. Smontate il bruciatore, pulite l'ugello. 6. Raddrizzate il leveraggio. Tenete il leveraggio lontano dall'alloggiamento. 7. Stringete il collegamento. Controllate se ci sono perdite.
L'accenditore non funziona	1. Filo dell'accenditore non collegato. 2. Elettrodo disallineato sul bruciatore pilota 3. Malfunzionamento dell'accenditore 4. La batteria si è esaurita	Assicuratevi che il filo dell'elettrodo pilota sia collegato. Riallineate l'elettrodo e rimuovete dall'area tutti i detriti circostanti. Sostituite l'accenditore Sostituite la batteria
Prestazioni ridotte, suoni "scoppiettanti"	La bombola è vuota. Gli ugelli del gas sono bloccati.	Sostituite la bombola del gas. Smontate il bruciatore, pulite l'ugello.
I suoni rimbombanti prodotti dal regolatore.	La valvola della bombola si è aperta rapidamente.	Allentate lentamente la valvola della bottiglia.
Una fiamma vivida/arancione brillante e fumosa del bruciatore.	Fori bloccati nell'apparecchio che produce la miscela di gas e aria.	Smontate il bruciatore e pulite/sbloccate i fori dell'apparecchio.

9. TECHNICAL SPECIFICATION

Categoria Appliance		I3P			I3B/P			I3+	
Gas di riferimento		G31			G30			G30	G31
Pressione di ingresso	[mbar]	30	37	50	30	37	50	28-30	37
Diametro dell'iniettore	[mm]	1,2			1,2			1,2	
Consumo di gas	[kg/h]	0,4	0,45	0,5	0,4	0,45	0,5	0,4	0,45
Apporto termico nominale (Hi)	[kW]	4,5	5,0	6,4	5,1	6,4	7,4	5,1	5,1
Apporto termico nominale (Hs)	[kW]	5,0	5,5	7	5,6	7	8	5,6	5,6
Dispositivo di sicurezza	Termocoppia								
Valvola di controllo del gas	BS190								
Tubo flessibile (1,4 m)	Ø9mm								

VENDITORE	
Nome:	Timbro e firma del venditore
Indirizzo:	
Tel/fax:	
Data di vendita:	
ACQUIRENTE	
Nome:	
Indirizzo:	
Tel/fax:	
Data di acquisto:	
<p>Il caminetto a gas deve essere installato da un installatore qualificato in conformità alle norme nazionali vigenti in materia di edilizia e secondo le direttive contenute nei manuale d'installazione e d'uso.</p>	
<p>Il sottoscritto dichiara di aver letto il manuale d'uso e le condizioni di garanzia.</p> <p style="text-align: center;">Data e firma leggibile dell'acquirente</p>	
INSTALLATORE	
Nome:	
Indirizzo:	
Tel/fax:	
Data di messa in servizio:	
<p>Il sottoscritto dichiara che il caminetto a gas installato dalla sua azienda è stato installato in conformità alle norme edilizie vigenti e secondo le direttive contenute nel manuale d'installazione e d'uso.</p> <p>Il caminetto a gas installato è pronto per un funzionamento sicuro.</p>	
<p style="text-align: right;">Timbro e firma dell'installatore</p>	

ZAPOZNANIE SIĘ Z NINIEJSZĄ INSTRUKCJĄ I JEJ PRZECHOWYWANIE JEST OBOWIĄZKOWE.

SPIS TREŚCI

1.	WSTĘP	93
2.	INSTRUKCJE BEZPIECZEŃSTWA	94
2.1	Instrukcje bezpieczeństwa dotyczące użytkowania butli gazowej.	95
3.	INSTALACJA	96
3.1.	Zawartość kartonu	96
3.2.	Rozpakowywanie i instalacja	97
3.3.	Montaż kół	97
3.4.	Montaż szyb	98
3.5.	Montaż butli z gazem	98
3.5.1.	Podłączanie i wymiana butli z gazem.....	99
3.5.2	Wymiana Reduktora	102
4.	INSTRUKCJA OBSŁUGI	103
4.1	Uruchamianie urządzenia	103
4.2	Regulacja wielkości płomienia	104
4.3	Wyłączanie urządzenia.....	105
4.4.	Wymiana baterii.....	105
4.	SPRAWDZENIE.....	105
5.1	Sprawdzanie wycieków gazu.....	106
5.2	Sprawdzenie wyglądu płomienia	106
5.	KONSERWACJA.....	106
5.1.	Sprawdzanie i czyszczenie.....	106
5.2.	Czyszczenie paneli.....	106
6.	GWARANCJA	107
7.	ROZWIĄZYWANIE PROBLEMÓW.....	107
8.	SPECYFIKACJA TECHNICZNA	108

1. WSTĘP

Kominek KF 22 jest urządzeniem gazowym z dekoracyjnym efektem spalania przeznaczonym tylko i wyłącznie do użycia w przestrzeniach zewnętrznych lub dobrze wentylowanych. Obligatoryjnie należy dokładnie zapoznać się poniższą instrukcją instalacji i obsługi przed przystąpieniem do instalacji i użytkowania kominka KF 22. Niniejszą instrukcję należy zachować przez cały okres eksploatacji urządzenia.

Deklaracja zgodności CE

Niniejszym oświadczamy, że zarówno projekt jak i konstrukcja gazowego urządzenia grzewczego wyprodukowanego przez Planika Sp. z o.o. (**Bydgoskich Przemysłowców 10 85-862 Bydgoszcz**) spełniają wymogi zasadnicze zawarte w Rozporządzeniu Parlamentu Europejskiego i Rady (UE) 2016/462 z dnia 9 marca 2016 r. (GAR) w sprawie urządzeń spalających paliwa gazowe

Produkt: Ogrzewacz tarasowy

Typ: KF 22

Rozporządzenie: 2016/462

Normy: PN-EN 14543:2017-09

Jednostka notyfikująca: Kiwa Nederland B.V, Wilmersdorf 50, P.O. Box 137, 7300 AC APELDOORN, The Netherland (NB0476) na podstawie przeprowadzonego badania typu UE (typ produkcji) - moduł B zgodnie z załącznikiem III pkt 1 ww. Rozporządzenia wydał certyfikat badania typu UE nr 19GR0374_01 w dniu 04.06.2021

Nadzór nad produkcją w module C2 prowadzi INSTYTUT NAFTY I GAZU – Państwowy Instytut Badawczy, PL 31-501 Kraków ul. Lubicz 25A (NB1450) i wydała świadectwo nadzoru nr N R 1 4 5 0 - G A R - 0 2 7 w dn. 21.10.2021 ważny do 06.10.2022

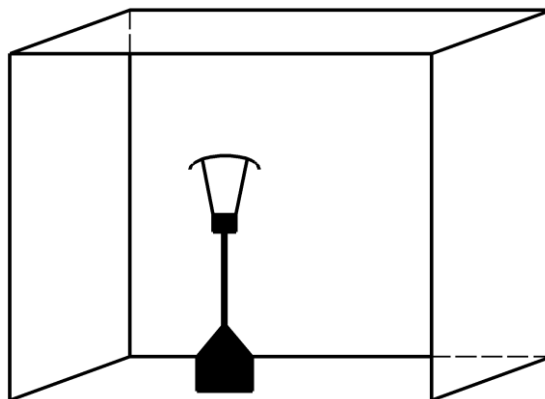
Zakładowy system kontroli jakości w firmie gwarantuje, że urządzenia produkowane seryjnie spełniają zasadnicze wymogi obowiązujących Dyrektyw i Rozporządzenia oraz zawarte w nich normy. Niniejsza Deklaracja ulega unieważnieniu w przypadku wprowadzenia jakichkolwiek modyfikacji w zakresie urządzenia bez wcześniejszej pisemnej zgody firmy Planika.

 **PREZES ZARZĄDU**
Jarosław Dąbrowski

Prezes Zarządu
Jarosław Dąbrowski

2. INSTRUKCJE BEZPIECZEŃSTWA

- **Przeczytaj instrukcję przed użyciem. Zachowaj instrukcje do wykorzystania w przyszłości.**
- Do użytku tylko na zewnątrz lub w dobrze wentylowanych pomieszczeniach. Korzystanie z tego urządzenia w pomieszczeniach zamkniętych jest NIEBEZPIECZNE i ZABRONIONE.
- Obszary o dużej wentylacji muszą mieć co najmniej 25% otwartej powierzchni. Pole powierzchni jest sumą powierzchni ścian.

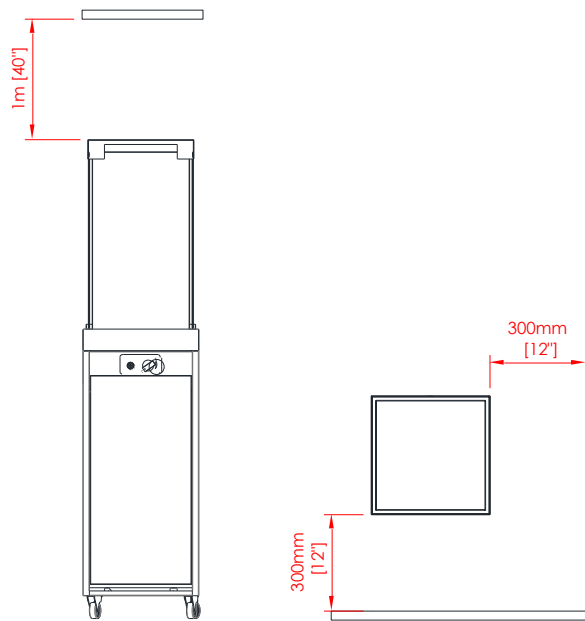


Rys. 1 – Minimalna przestrzeń

- Nie przemieszczaj urządzenia podczas pracy.
- Przed przemieszczeniem urządzenia należy wyłączyć zawór butli gazowej lub reduktora.
- W przypadku gwałtownego wiatru należy przedsięwziąć środki ostrożności przed przechyleniem się urządzenia.
- Użytkowanie urządzenia oraz przechowywanie butli gazowej muszą być zgodne z obowiązującymi przepisami.
- Kominek FARO powinien być instalowany i kontrolowany co roku zgodnie z niniejszymi instrukcjami instalacji, a także obowiązującymi krajowymi i miejscowymi przepisami (instalacyjnymi i korzystania) o bezpieczeństwie gazowym
- Należy sprawdzić czy dane na tabliczce znamionowej są zgodne z lokalnym typem krajowego gazu i ciśnienia.
- Nie wolno zmieniać konstrukcji urządzenia oraz jego zaplombowanych elementów, ani modyfikować ustawień fabrycznych kominka FARO.
- Nie należy ustawiać dodatkowych bloków imitacyjnych ani żarzących się węgla na palniku bądź w komorze spalania.
- W pobliżu urządzenia musi znajdować się gaśnica śniegowa (CO₂) lub proszkowa.
- Przy pierwszym włączeniu kominek FARO należy na kilka godzin zapalić na maksymalnym poziomie, aby elementy wygrzały się i odparowały pozostałości farb, lakierów i smarów.
- Nie przesuwaj urządzenia w trakcie jego działania.
- Kominek FARO został zaprojektowany do celów dekoracyjnych. Powierzchnia kominka FARO, w tym szyby, mogą silnie nagrzać się w trakcie użytkowania (ponad 100°C), z wyjątkiem ścianek bocznych i elementów obsługi.

UWAGA!!! Dostępne części urządzenia mogą być bardzo gorące. Trzymaj dzieci z dala od urządzenia.

- Należy zawsze podczas użytkowania stosować szklane osłony dołączone razem z urządzeniem.
- Stosować z dala od materiałów palnych. Nie umieszczać żadnych materiałów palnych w odległości 0,3 m od kominka FARO oraz 1 m ponad urządzeniem (Rys. 2).



Rys. 2 – Odległości minimalne

- Kiedy kominek FARO jest włączony, nie należy narażać go na działanie deszczu.
- Jeśli kominek FARO nie jest używany, należy chronić go przed warunkami atmosferycznymi oraz zakręcić zawór główny na butli z gazem.
- Jeśli kominek FARO nie jest używany przez dłuższy okres, zalecamy przechowywanie go wewnątrz budynku.
- Wszystkie części kominka FARO są zbudowane z materiałów odpornych na rdzę.
- Nigdy nie należy pozostawiać włączonego kominka FARO bez nadzoru.
- Kominek FARO należy zainstalować w miejscu niedostępnym dla dzieci, osób niepowołanych i zwierząt, tak aby niemożliwy był bezpośredni kontakt z płomieniem i gorącymi częściami kominka.
- W przypadku silnego wiatru kominek FARO należy bezzwłocznie wyłączyć, odczekać aż ostygnie i ustawić go w sposób uniemożliwiający zdmuchnięcie płomienia przez wiatr lub poczekać na ustanie silnych podmuchów wiatru.
- W przypadku wyczucia jakichkolwiek przecieków gazu należy natychmiast wyłączyć kominek i zakręcić główny zawór na butli gazowej.
- Po użyciu należy zakręcić zawór na butli z gazem.
- Środowisko słonej wody morskiej przyspiesza proces korozji i przyczynia się do uszkodzenia kominka

2.1 Instrukcje bezpieczeństwa dotyczące użytkowania butli gazowej.

- Należy stosować tylko i wyłącznie rodzaj gazu i ciśnień określonych przez producenta.
- Butlę z gazem należy zmieniać w dobrze wentylowanym miejscu, z dala od źródła zapłonu (świeca, papierosy, oraz innych urządzeń wytwarzających płomień).
- Nie należy zasłaniać otworów wentylacyjnych obudowy butli gazowej.
- W przypadku wycieku gazu urządzenie nie powinno być używane, a jeśli jest zapalone, należy wyłączyć dopływ

gazu. Urządzenie powinno zostać sprawdzone a wyciek usunięty przed ponownym użyciem.

- Butle gazowe powinny zawsze znajdować się w pozycji pionowej - podczas użycia i transportu.
- Zawsze umieszczaj butlę w miejscu łatwo dostępnym, aby możliwe było jej natychmiastowe zamknięcie.
- Podczas instalacji nigdy nie zbliżać płomienia ani zapalonego przedmiotu do butli gazowej.
- Przecieki należy lokalizować za pomocą mieszanki z płynu czyszczącego i wodą. Powstające pęcherzyki powietrza oznaczają przeciek.
- Zawsze należy używać reduktora ciśnienia między butlą a urządzeniem. Wymieniać reduktor ciśnienia co 5 lat. Dopuszczalne ciśnienia: 30mbar, 37mbar (zalecane), 50mbar. Używać tylko reduktorów spełniających wymagania Europejskiej Normy EN16129
- Stosować tylko zatwierdzone i certyfikowane przewody połączeniowe gazu. Wymieniać je co 2 lata.
- Sprawdzaj elastyczny wąż przynajmniej raz w miesiącu i za każdym razem, gdy zmieniana jest butla. Jeżeli wykazuje oznaki pęknięcia, rozszczepienia lub innego zużycia, należy go wymienić na nowy o tej samej długości i takiej samej jakości.
- Nie należy podłączać butli z gazem bezpośrednio do urządzenia bez regulatora.
- Przewód lub elastyczny wąż należy wymienić w określonych odstępach czasu.
- Używaj tylko takich rodzajów gazu i butli gazowych jakie określone są w niniejszej instrukcji.
- Wąż elastyczny doprowadzający gaz do urządzenia poprowadzić z dala od ostrych krawędzi i gorących powierzchni. Unikać zagięć i skręceń połączeń elastycznych na całej ich długości.
- Należy pamiętać, że butla z gazem LPG powinna być przechowywana w miejscach dobrze wentylowanych. Gaz LPG jest cięższy od powietrza i jego nagromadzenie się przy podłożu może prowadzić do wytworzenia się mieszanki wybuchowej.
- Należy zamykać butlę gazową, jeśli urządzenie nie jest używane.
- Napełnianie butli gazowych zlecać certyfikowanym stacjom napełniania gazu.
- Wymianę pustych butli na pełne należy dokonywać tylko w autoryzowanych punktach.

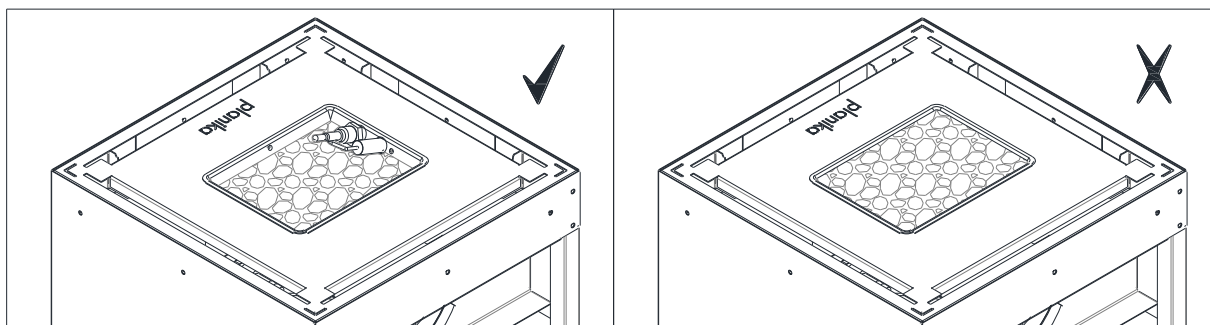
3. INSTALACJA

3.1. Zawartość kartonu

- 1x kompletny kominek gazowy FARO
- 4x szyby ze szkła hartowanego
- 4x narożnik do szyb
- 8x rurka silikonowa do szyb
- 1x worek z kamieniami
- 4x kółka
- 1x bateria AAA
- 1x gumowy wąż gazowy 1,4 m; Ø9mm – zainstalowany
- 1x reduktor (37mbar) – zainstalowany
- 1x klucz płaski
- 1x instrukcja montażu i obsługi

3.2. Rozpakowywanie i instalacja

- Zawartość kartonu należy starannie odwinąć z folii piankowej.
- Wyjąć worki z kamieniami z rynny paleniska oraz odłożyć je na bok.
- Ostrożnie wyjąć zapakowane w karton szyby, umieszczone wewnątrz urządzenia.
- Sprawdzić kompletność elementów w oparciu o spis elementów.
- Upewnić się czy kominek oraz jego elementy nie zostały uszkodzone podczas transportu (jeżeli tak należy zgłosić ten fakt dostawcy).
- Ustawić kominek FARO na płaskiej i twardej powierzchni na zewnątrz budynku, najlepiej od razu w miejscu, w którym będzie używany. Zostawić wystarczającą przestrzeń po stronie kominka po której znajduje się zawór regulujący oraz układ zapalający (min 1m)
- Kamienie dekoracyjne należy rozsypać równomiernie w rynnie tak by całkowicie zakryć palenisko kominka.



Rys. 3 – Kamienie dekoracyjne

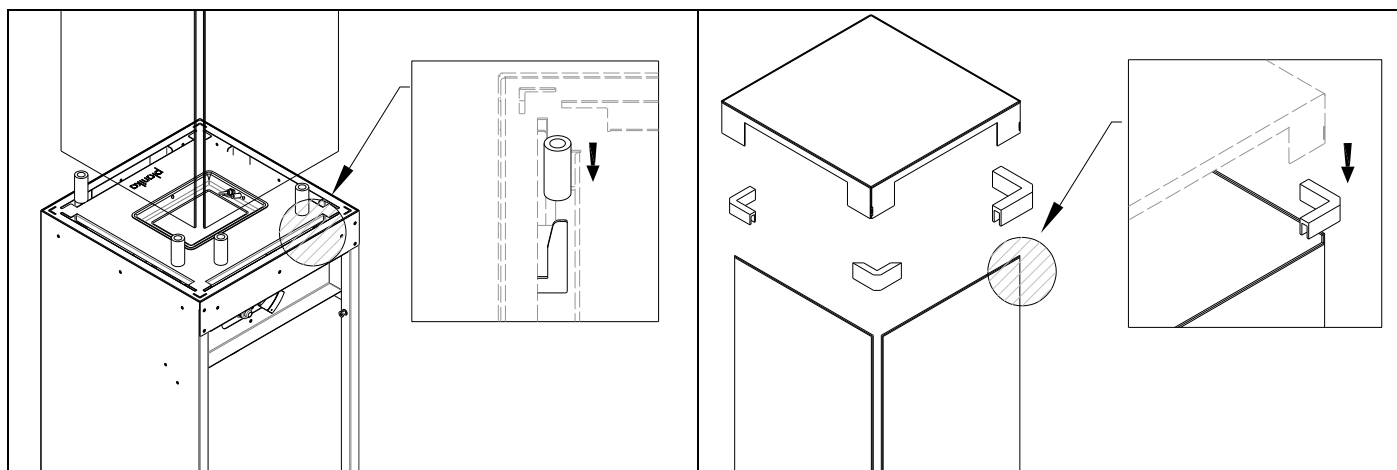
3.3. Montaż kół

	<p>Delikatnie zdejmij drzwiczki, podnosząc je do góry, a następnie na zewnątrz. Umieścić kominek otworem skierowanym do góry.</p> <p>Ostrzeżenie Przed umieszczeniem urządzenia należy zabezpieczyć je przed zarysowaniem.</p>
	<p>Włożyć śrubę koła przez otwór w dolnej części urządzenia (1) i zabezpieczyć ją podkładką (2) i nakrętką (3) od wewnątrz. Użyj klucza (4), aby dokręcić koło.</p>
	<p>Zamontować 2 kółka z hamulcami po stronie drzwiczek cylindra gazowego i 2 kółka bez hamulców po przeciwnej stronie.</p> <p>Ustaw produkt z powrotem w pozycji pionowej.</p>

Rys. 4 – Instalacja kół

3.4. Montaż szyb

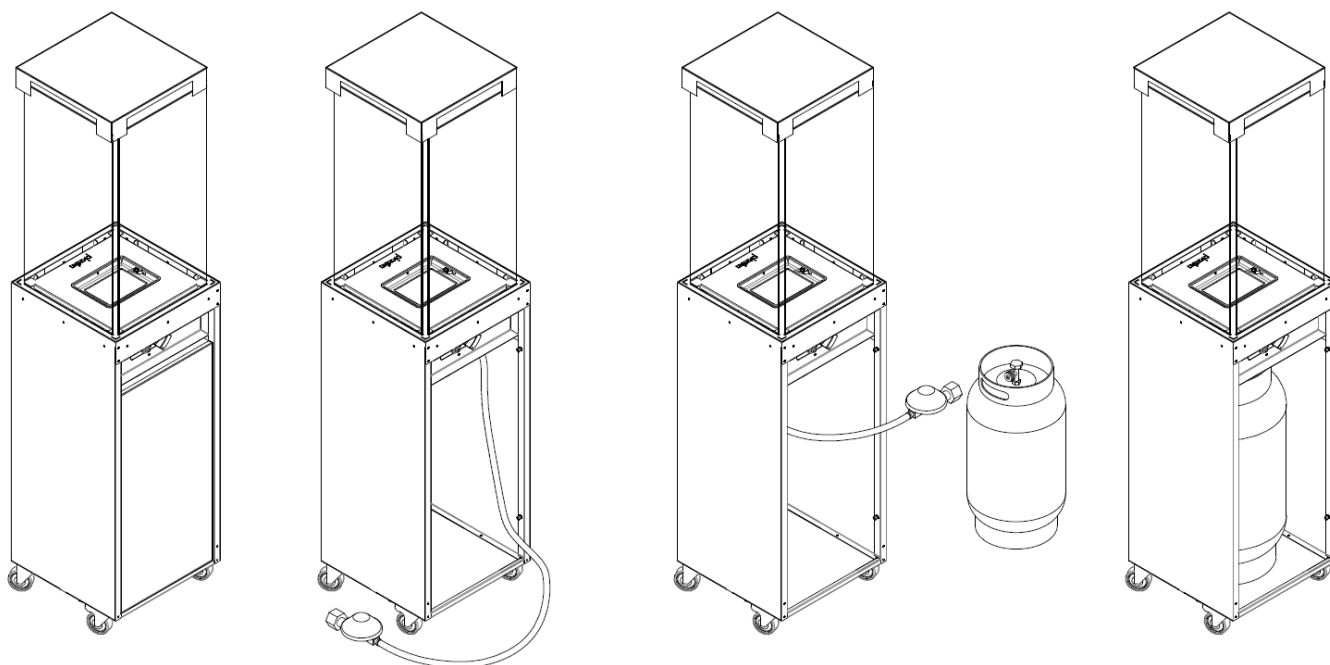
- Ostrożnie usuń karton i folię piankową ze szklanych osłon.
- Usunąć z osłon szklanych wszelkie zanieczyszczenia, które mogłyby wypalić się na szkło podczas pracy urządzenia FARO (w szczególności odciski palców).
- Wsuń szklane rurki silikonowe na dedykowane elementy (szczegół) i zainstaluj szklane osłony w odpowiednich miejscach.
- Zamontuj narożniki szklanej osłony na szybie (szczegół), a następnie zamontuj metalową górę.
- Zdejmij szklaną osłonę tylko w przypadku uszkodzenia szkła.



Rys. 5- Montaż szyb w szczelinach i metalowego kaptura na szybie

3.5. Montaż butli z gazem

Dołączony do urządzenia elastyczny wąż pozwala na umieszczenie butli z gazem podczas jej wymiany maks. 1 metr od urządzenia. Podczas pracy butla gazowa jest ukryta wewnątrz urządzenia za wyjmowanymi drzwiami.



Rys. 6 – Montaż butli z gazem

- Obudowa butli z gazem nie jest szczelna i musi być prawidłowo wentylowana. Wyposażona jest w górną szczelinę wentylacyjną powyżej górnej części butli (o powierzchni min 1/100 powierzchni podstawy obudowy) i dolną szczelinę wentylacyjną (o powierzchni min 1/50 powierzchni obszaru podstawa obudowy).

UWAGA!!! Przed wymianą butli z gazem należy zablokować koła urządzenia.

3.5.1. Podłączanie i wymiana butli z gazem

UWAGA!!! Montaż i serwisowanie musi wykonywać przeszkolony monter z odpowiednimi uprawnieniami, firma usługowa lub dostawca gazu.

Przed przystąpieniem do podłączania butli z gazem muszą być wykonane wszystkie czynności związane z poprawnym umiejscowieniem i instalacją kominka FARO. Przewód gazu należy umieścić z dala od gorących i ostrych powierzchni i upewnić się, że nie jest on skręcony.

FARO dostarczany jest razem z elastycznym węzłem gazowym z jednej strony podłączonym do zaworu urządzenia, z drugiej strony zakończony zainstalowanym reduktorem gotowym do podłączenia do butli gazowej.

Typ reduktora	Kraj	Rodzaj połączenia	Średnica wejścia	Wyjście
Type A	FR, UK, IE	Clip On	27 mm	G1/4"-LH
Type B	ES, DK, NO, FI, EE, PT, CY	Clip On	35 mm	G1/4"-LH
Type C	PL, DE, LT, AL, BE, CZ, SK, SI, LV, HR, CH, UA, RS, MK, BiH	Twist On	23 mm	G1/4"-LH
Type D	IT, GR	Twist On	20 mm	G1/4"-LH

Jeśli butla gazowa ma inny rozmiar wlotu lub wymaga innego regulatora, należy wymienić dołączony regulator na odpowiedni (dostępny osobno na lokalnym rynku).

Należy kontrolować datę ważności zarówno reduktora, jak i węzła gazowego i w razie konieczności (np.: popękany, przecięty, przetarty węzł) wymienić komponenty na nowe zgodne z krajowymi standardami lub normami.

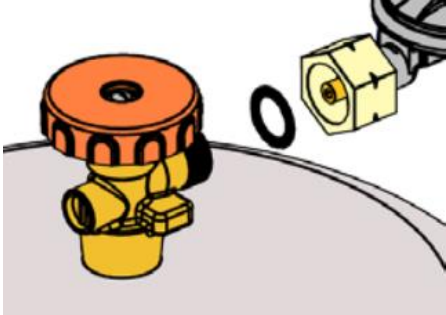
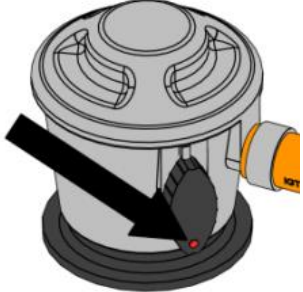

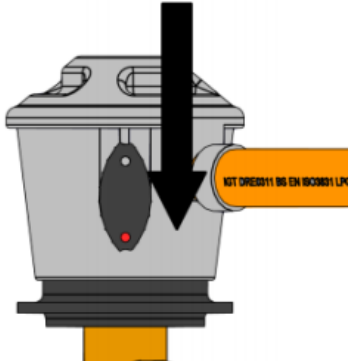

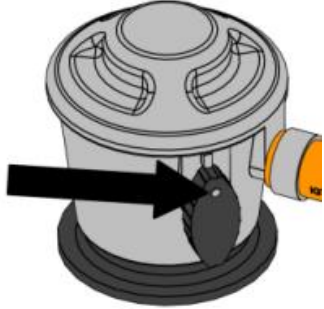
FARO może wykorzystywać butle metalowe/stalowe lub butle kompozytowe wypełnione gazem propan-butan lub propanem.

UWAGA!!! NIGDY nie należy używać niestabilizowanego dopływu gazu (bez regulatora).

Butle z gazem posiadają złączki dwóch typów:

- Złączka nakręcana: Najważniejszą częścią jest czarna uszczelka. Zawsze sprawdzać, czy uszczelka ta jest obecna oraz czy nie została uszkodzona podczas wymiany butli. Niektóre złączki posiadają pokrętko służące do dokręcania, w innych zaś do tego celu trzeba wykorzystać klucz. Mocno dokręcić (gwint lewy). Wykorzystując klucz, nie dopuścić do przekręcenia, gdyż może to spowodować uszkodzenie uszczelki.
- Szybkozłączka: Do tego typu złązek niewymagane są jakiegokolwiek narzędzia. Regulacja włączająca/wyłączająca dopływ gazu dokonywana jest przy pomocy przełącznika na regulatorze lub na specjalnym łączniku. W przypadku wykorzystania łącznika z regulatorem gwintowym starego typu, zwróć szczególną uwagę, aby nakrętka łącząca została mocno dokręcona do łącznika przy pomocy klucza.

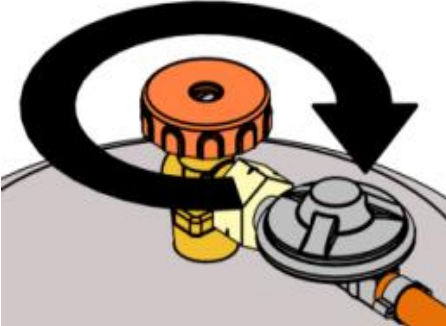
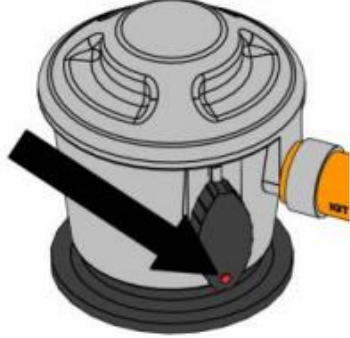

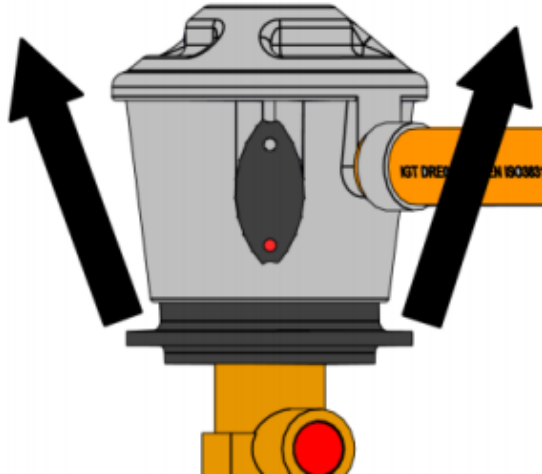
Podłączanie butli

Złączka nakręcana	Szybkozłączka
<ol style="list-style-type: none">1. Sprawdź, czy zawór butli jest WYŁĄCZONY kręcąc go zgodnie z ruchem wskazówek zegara.2. Usuń nasadkę ochronną i zachowaj ją na później.	<ol style="list-style-type: none">1. Zdejmij nasadkę ochronną. Nie stosuj żadnych narzędzi, pozostaw luźno wiszącą nasadkę.
<ol style="list-style-type: none">3. Przed podłączeniem sprawdź, czy czarna uszczelka nie jest uszkodzona. 	<ol style="list-style-type: none">2. Upewnij się, że wszystkie kurki na urządzeniu gazowym są zamknięte oraz czy przełącznik jest w pozycji wyłączonej. 
<ol style="list-style-type: none">4. Dopasuj nakrętkę łączącą do cylindra przy pomocy właściwego klucza lub łączącego pokrętła. (Gwint lewy). Nie dopuść do przekręcenia złączy butli z gazem. 	<ol style="list-style-type: none">3. Umieść „szybko mocujący” regulator na zaworze i mocno naciśnij w dół. Jeśli przełącznik jest prawidłowo zamknięty, będzie można usłyszeć charakterystyczne kliknięcie. 
<ol style="list-style-type: none">5. Gdy wymagane jest włączenie dopływu gazu, przekręć zawór butli w kierunku przeciwnym do ruchów wskazówek zegara. 	<ol style="list-style-type: none">4. Aby włączyć dopływ gazu, przekręć przełącznik do pozycji ON (lub symbolu płomienia). 

UWAGA!!! Należy sprawdzić całe przyłącze gazu pod kątem ewentualnych wycieków. Jeżeli cokolwiek wskazuje na istnienie nieszczelności (np. charakterystyczny zapach gazu) zamknąć zawór na butli i pod żadnym pozorem nie włączać urządzenia przed usunięciem nieszczelności.

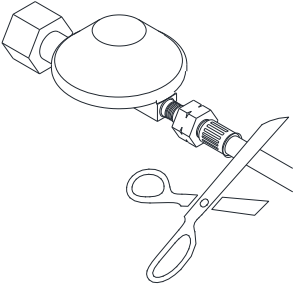
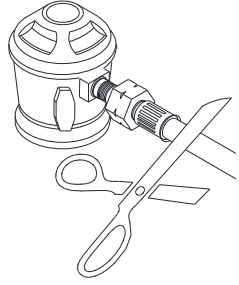
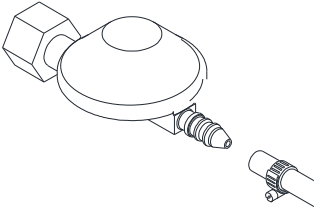
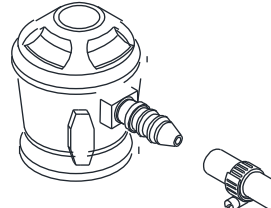
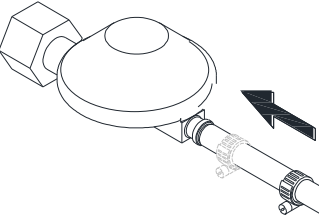
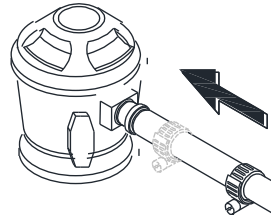
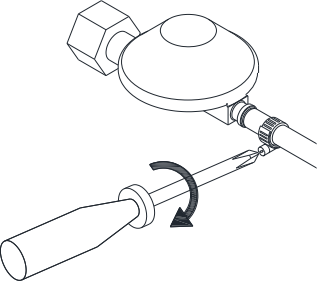
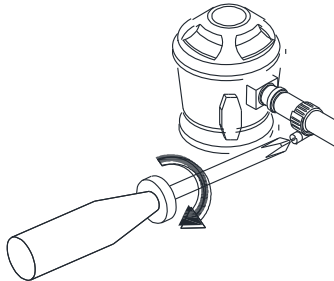
- Po usunięciu nieszczelności można ponownie otworzyć zawór na butli gazowej.

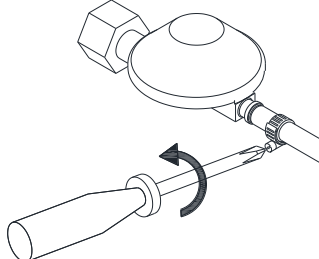
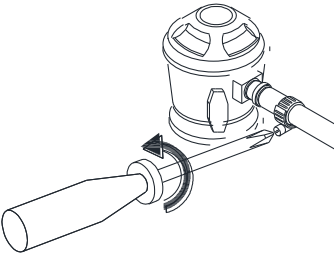
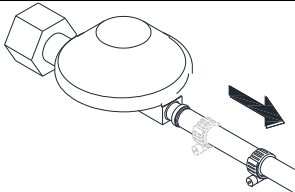
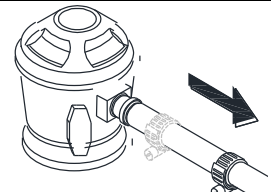
Odłączanie butli

Złączka nakręcana	Szybkozłączka
<p>1. Wyłącz urządzenie – Pozycja OFF. Palnik główny i pilotowy muszą być wyłączone.</p> <p>2. Przekręć zawór butli na pozycję WYŁĄCZONĄ (zgodnie z ruchem wskazówek zegara).</p>	<p>2. Przekręć przełącznik na pozycję WYŁĄCZONĄ - OFF.</p>
	
<p>3. NIGDY NIE ZDEJMUJ regulatora (lub nakrętki łączącej) przy otwartym zaworze butli.</p> <p>4. ZDEJMJ regulator (lub nakrętkę łączącą) przy pomocy klucza lub łączącego pokrętła (gwint lewy).</p>	<p>3. Zdejmij „szybko łączący” regulator poprzez poziome naciśnięcie przełącznika i jednocześnie pociągnięcie w górę całego regulatora.</p>
	
<p>5. WYMIENIĆ zaślepkę lub nasadkę na pustej butli lub częściowo wypełnionej butli, jeśli nie jest ona używana.</p>	<p>4. WYMIENIĆ nasadkę uszczelniającą na pustej butli lub częściowo wypełnionej butli, jeśli nie jest ona używana.</p>

3.5.2. Wymiana Reduktora

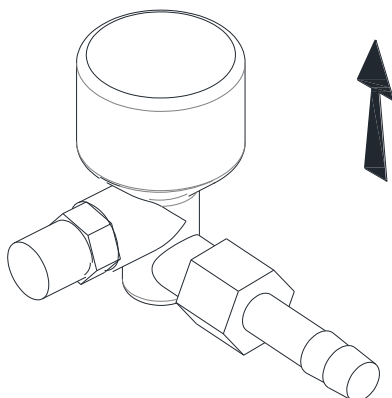
1. Zawsze należy używać reduktora ciśnienia między butlą a urządzeniem. Wymieniać reduktor ciśnienia co 5 lat. Dopuszczalne ciśnienia: 30mbar, 37mbar (zalecane), 50mbar. Używać tylko reduktorów spełniających wymagania Europejskiej Normy EN16129.
2. Wyłącz FARO – Pozycja OFF. Palnik główny i pilotowy muszą być wyłączone.
3. Odłącz regulator od butli gazowej (opis powyżej).

	Złączka nakręcana	Szybkozłączka
4. Odetnij przewód reduktora. Jeżeli posiadasz reduktor z opaską zaciskową, przejdź do kroku 4.1 (poniżej).		
5. Wymień reduktor na nowy, posiadający opaskę zaciskową.		
6. Załóż nowy wąż z opaską na króciec reduktora.		
7. Zamocuj opaskę za pomocą śrubokręta (philips) lub klucza płaskiego (uwaga! W przypadku widocznego uszkodzenia opaski, należy wymienić ją na nową).		

	Złączka nakręcana	Szybkozłączka
4.1. Poluzuj za pomocą śrubokręta (philips) lub klucza płaskiego metalową opaskę zaciskową.		
4.2. Przesuń opaskę zaciskową poniżej króćca reduktora gazu. Następnie postępuj zgodnie z instrukcjami od punktu 5.		

- FARO wyposażony jest w zawór antyprzechyłowy, który wyłącza urządzenie w przypadku, gdy kominiek jest przechylony lub przewrócony. Zawór automatycznie odcina dopływ gazu do zaworu głównego, dzięki czemu płomień wygasa się.

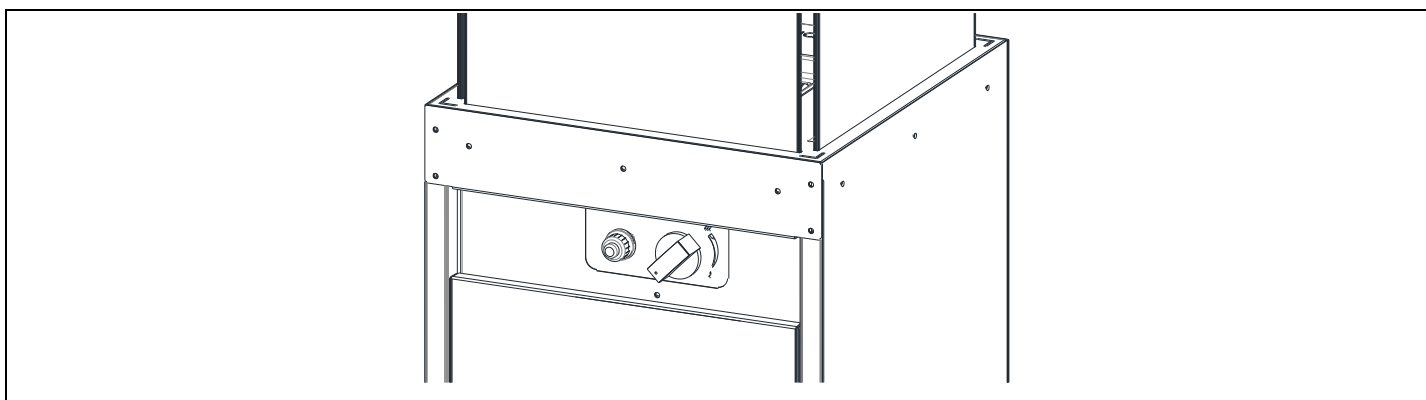
UWAGA!!! Upewnij się, że zawór antyprzechyłowy jest zawsze zainstalowany w pozycji pionowej.



Rys. 7 – Zawór antyprzechyłowy

4. INSTRUKCJA OBSŁUGI

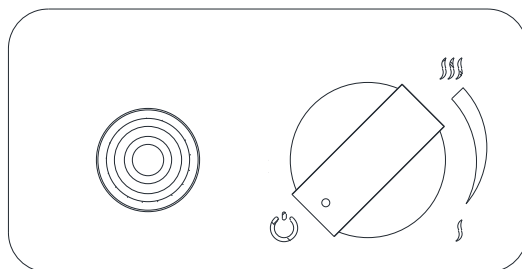
FARO wyposażony jest w zawór sterujący z wbudowanym zapłonem głównego palnika (bez płomienia pilota) oraz płynną regulacją wysokości płomienia paleniska głównego, która regulowana jest za pomocą pokrętła. Obok pokrętła znajduje się elektryczny przycisk zapłonu (zasilany baterią AAA). Panel sterowania znajduje się nad drzwiami komory butli z gazem.



Rys. 8 – Panel sterowania

4.1. Uruchamianie urządzenia

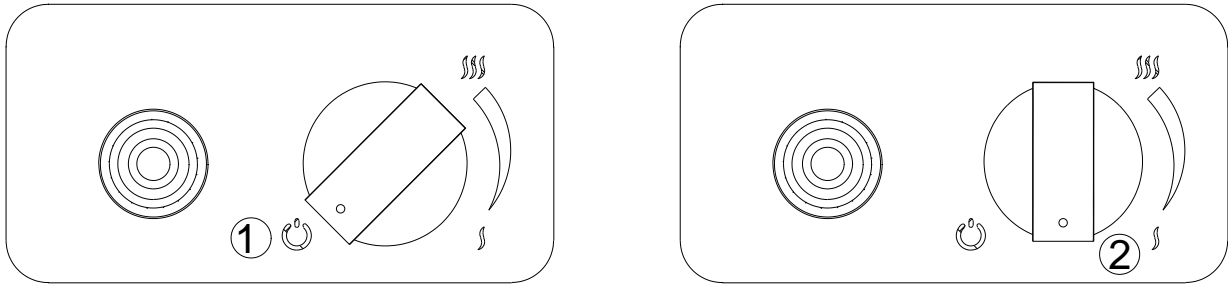
- Upewnij się, że pokrętło znajduje się w pozycji „OFF” (do oporu, zgodnie z kierunkiem ruchu wskazówek zegara) (Rys. 10).



Rys. 9 – Kominiek wyłączony

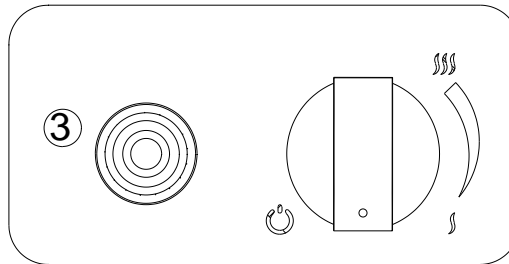
- Otworzyć zawór na butli gazowej.

- Naciśnij pokrętło i jednocześnie naciskając, obróć je w kierunku przeciwnym do ruchu wskazówek zegara z pozycji (1) do pozycji (2).



Rys. 10 – Włączanie urządzenia

- Przytrzymując pokrętło, zapal płomień na palenisku naciskając przycisk iskrownika (3).



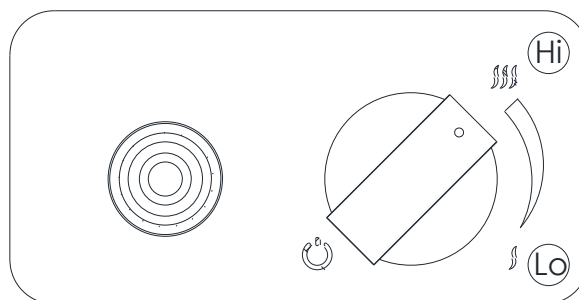
Rys. 11 – Proces włączania

- Pojawi się iskra, która zapali płomień na palniku głównym na minimalnym jego poziomie. Jeśli płomień nie zapalił się powtórz ten proces 2-3 razy. Będzie to szczególnie wymagane po wymianie i montażu nowej butli z gazem LPG.
- Kiedy płomień zostanie zapalony trzymaj pokrętło zapłonowe jeszcze przez ok 5 s aż do momentu rozgrzania się termopary, która będzie podtrzymywała zawór główny w pozycji otwartej.
- Można teraz puścić pokrętło. Jeśli jednak płomień zgaśnie, należy powtórzyć proces jeszcze raz aż do momentu stabilnego rozpalenia płomienia na palniku.

UWAGA!!! Po 2-3 nieudanych próbach przerwij i sprawdź połączenia. Ponów próby po 10 min. Jeśli zainstalowana butla z gazem jest nowa lub kominek nie był używany przez dłuższy okres czasu, najpierw trzeba wypuścić powietrze z przewodu gazowego. W tym przypadku konieczne będzie przeprowadzenie kilku prób, aż do stabilnego zapłonu płomienia.

4.2. Regulacja wielkości płomienia

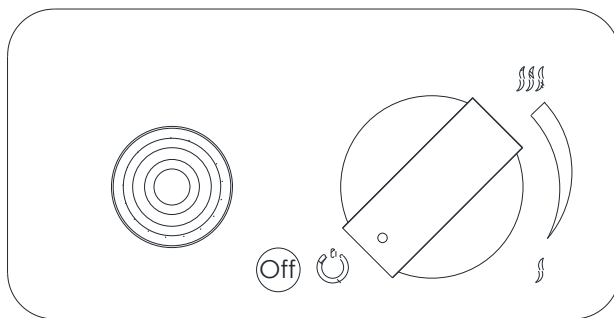
- Gdy płomień na palniku jest już włączony, żadaną wysokość płomienia można regulować, obracając pokrętło zgodnie lub przeciwnie do ruchu wskazówek zegara.
- Dla uzyskania wyższego płomienia, obróć pokrętło przeciwnie do ruchu wskazówek zegara do pozycji „Hi”. Aby uzyskać niższy płomień, przekręć pokrętło zgodnie z ruchem wskazówek zegara do pozycji „Lo”



Rys. 12 – Regulacja wysokości płomienia

4.3. Wyłączenie urządzenia

- Aby wyłączyć urządzenie, naciśnij i obróć, do oporu, pokrętło zgodnie z ruchem wskazówek zegara do pozycji „OFF”. Dopływ gazu zostanie odcięty, a płomień na palniku zostanie wyłączony.



Rys. 13 – Wyłączenie urządzenia

- Zamknij także zawór na butli gazowej.

4.4. Wymiana baterii

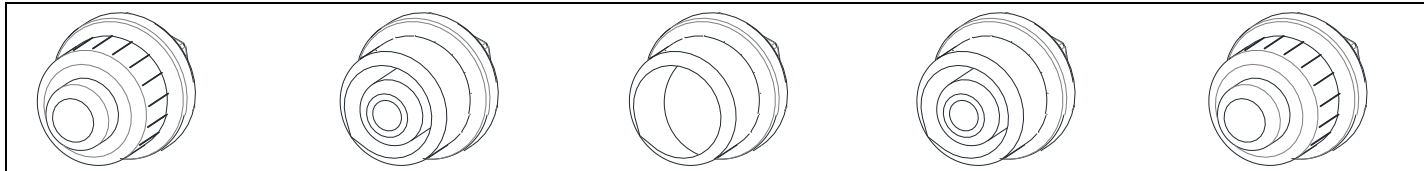
Jeżeli baterie są niepoprawnie zainstalowane, iskrownik może zostać nieodwracalnie uszkodzony. Należy wymieniać baterie tylko gdy urządzenie jest wyłączone.

Bateria umieszczona jest w pojemniku znajdującym się na panelu sterowania obok pokrętła regulacji płomienia.

- Odkręć przycisk zapłonu.
- Wyjmij baterię i włóż nową do pojemnika.

UWAGA! Należy pamiętać o prawidłowej polaryzacji wymienianej baterii.

- Przykręć ponownie pokrywę pojemnika na baterie.



Rys. 14 – Wymiana baterii

5. SPRAWDZENIE

UWAGA!!! NIGDY NIE ODPALAJ KOMINKA JESLI WYCZUWALNY JEST CHARAKTERYSTYCZNY ZAPACH GAZU.

W przypadku wycieku gazu, nie zezwala się na używanie kominka. Kominek należy natychmiast wyłączyć, a przed kolejnym użyciem należy zbadać źródło przecieku. Jeśli wyczujesz gaz podczas gdy kominek jest w trybie pracy, natychmiast należy wyłączyć urządzenie i odciąć dopływ gazu z butli gazowej przez zakręcenie jej zaworu.

5.1. Sprawdzanie wycieków gazu

- Należy sprawdzić wszystkie połączenie pod kątem szczelności.
- Aby to wykonać, należy zmoczyć wszystkie połączenie wodą z mydłem (lub innym pieniącym się środkiem) lub specjalistycznym środkiem w sprayu do wykrywania nieszczelności.
- Jeśli widoczne będą pojawiające się pęcherzyki, oznacza to, że w tym miejscu jest przeciek.
- Usunąć nieszczelności w miejscach przecieków.
- Ponownie sprawdzić szczelność.
- Po kontroli należy wysuszyć sprawdzane przyłącza.
- Urządzenie można użyć ponownie dopiero po usunięciu wszystkich przecieków.
- **Jeśli problem będzie się pojawiał skontaktuj się z dystrybutorem.**

5.2. Sprawdzenie wyglądu płomienia

- Zapalić urządzenie na maksymalnym poziomie i sprawdzić wygląd płomienia.
- Płomień powinien mieć formę linii ognia i być rozmieszczony równomiernie na całej długości palnika głównego.
- Jeśli widoczne są wyraźne przerwy lub znaczące różnice w wysokości płomienia, wyłącz kominek i po wystudzeniu popraw rozmieszczenie kamieni dekoracyjnych tak, aby były one równomiernie rozłożone na całej powierzchni palnika głównego.
- Odpal kominek i ponownie sprawdź wygląd płomienia palnika głównego.

6. KONSERWACJA

Zalecamy wyczyszczenie iskrownik, termopary i zespołu palnika głównego przed ponownym użyciem urządzenia po wyjęciu go z miejsca przechowywania po okresie zimowym.

6.1. Sprawdzanie i czyszczenie

Należy sprawdzić i wyczyścić w razie konieczności:

- Główny palnik (w razie potrzeby usunąć pokruszone części kamieni i powstały pył).
- Termoparę (w razie potrzeby usunąć powstały osad). W razie widocznych uszkodzeń skontaktuj się z dystrybutorem.
- Panele szklane – pod kątem zanieczyszczeń lub ewentualnych zadrapań i pęknięć. W przypadku wykrycia pęknięć należy wymienić panele na nowe. W tym celu skontaktuj się z dystrybutorem.
- Przewód gazowy i reduktor ciśnienia (w razie przekroczenia daty ważności, wymienić podzespoły na nowe).
- Jeśli pojawią się problemy z regulatorem, przewodem gazu, palnikiem lub zaworami regulacyjnymi, nie próbuj naprawiać tych części. Skontaktuj się ze sprzedawcą, autoryzowanym serwisem lub importerem w celu uzyskania części zamiennych. Aby zapewnić optymalną wydajność urządzenia, stosuj wyłącznie oryginalne części zamienne.

6.2. Czyszczenie paneli

Większość powstałych osadów można usunąć suchą ściereczką. W przypadku większych zabrudzeń do czyszczenia szyby można użyć płynu do czyszczenia płyt ceramicznych lub szyb okiennych. Należy zawsze dobrze wysuszyć szybę, ponieważ powstałe na jej powierzchni zacieki mogą nieodwracalnie wtopić się w szkło.

UWAGA!!! Należy unikać pozostawiania odcisków palców na szybie. Zostaną one na niej wypalone po uruchomieniu urządzenia i nie będzie można ich usunąć.

7. GWARANCJA

Firma Planika Sp. z o.o. udziela Klientowi gwarancji jakości na sprawne działanie towaru wyszczególnionego na dokumencie sprzedaży. Gwarancja jest określona na dany okres od daty zakupu (na podstawie karty gwarancyjnej z dokumentem zakupu). Okres gwarancji rozpoczyna się z chwilą zakupu oryginalnego produktu przez pierwszego użytkownika końcowego. Produkt może składać się z wielu odrębnych części i dla różnych części będą miały zastosowanie inne okresy gwarancji. Producent udziela 2 lat gwarancji od momentu zakupu wkładu na jego sprawne działanie. Uszczelnienie kominka objęte jest gwarancją na okres 1 roku od momentu zakupu wkładu. Gwarancją nie są objęte kamienie dekoracyjne oraz szyby. Zastosowanie kominkowego, sposób podłączenia oraz warunki eksploatacji muszą być zgodne z Instrukcją Obsługi oraz z obowiązującymi przepisami. Podstawę do bezpłatnego wykonania napraw gwarancyjnych stanowi karta gwarancyjna. Karta gwarancyjna traci ważność bez daty, pieczęci, podpisów, jak również z poprawkami dokonanymi przez osoby nieupoważnione. Uprawnienia Klienta z tytułu udzielonej gwarancji wygasają automatycznie: po upływie okresu gwarancji. Wszelkie uszkodzenia powstałe wskutek niewłaściwej obsługi, magazynowania, nieumiejętnej konserwacji, niezgodne z warunkami określonymi w instrukcji obsługi i eksploatacji oraz wskutek innych przyczyn, niezawinionych przez producenta, powoduje utratę gwarancji. W razie reklamacji należy zawsze kontaktować się z dostawcą. Dostawca skontaktuje się z firmą Planika, jeśli uzna to za konieczne. Gwarancja fabryczna obowiązuje przez 2 lata od daty zakupu. Szczegóły gwarancji dostępne są na stronie <https://www.planikafires.com/warranty-cards/>

8. ROZWIĄZYWANIE PROBLEMÓW

UWAGA! Montaż, naprawy i serwisowanie musi wykonywać przeszkolony monter z odpowiednimi uprawnieniami, firma usługowa lub dostawca gazu.

USTERKA	MOŻLIWA PRZYCZYNA	NAPRAWA
ZAPACH GAZU	ZAMKNIJ NATYCHMIAST ZAWÓR GAZU NA BUTLI. NIE UŻYWAJ URZĄDZENIA DO USUNIĘCIA WYCIEKÓW	
Wyciek na butli, reduktorze lub innym połączeniu.	1. Luźne złącze regulatora. 2. Wyciek w węży gazowym, regulatorze lub kurkach gazowych.	1. Dokręć i zrób test 2. Zgłoś się do centrum serwisowego.
Palnik nie zapala się	1. Pusta butla. 2. Przewód zapalnika niepodłączony. 3. Brak iskry zapalającej 4. Elektroda zapalnika źle ustawiona względem palnika. 5. Dysze zablokowane 6. Wąż gazowy jest skręcony. 7. Połączenie regulatora luźne	1. Wymień butlę. 2. Podłącz przewód. 3. Wymiana 4. Ustaw elektrodę. 5. Wymontuj palnik, wyczyść dysze. 6. Wyprostuj wąż. Utrzymuj wąż z dala od obudowy. 7. Dokręć połączenie. Sprawdź wyciek.
Brak iskry	1. Przerwa w obwodzie elektrycznym. 2. Awaria modułu elektronicznego 3. Usterka elektrody 4. Zużyta bateria	1. Podłącz przewód. 2. Wymiana 3. Wymiana 4. Wymiana baterii
Słabnąca wydajność, "strzelający" odgłos	1. Pusta butla. 2. Dysze palnika zablokowane.	1. Wymień butlę. 2. Wymontuj palnik, wyczyść dysze.
Huczący odgłos regulatora.	Zawór cylindra otwarty gwałtownie.	Odkręcaj zawór butli powoli.
Intensywnie pomarańczowy i dymiący płomień palnika.	Zablokowane otwory w aparacie wytwarzającym mieszkankę gaz/powietrze	Wymontuj palnik i wyczyść/odblokuj otwory aparatu.

9. SPECYFIKACJA TECHNICZNA

TYP URZĄDZENIA		I3P			I3B/P			I3+	
Kategoria gazu		G31			G30			G30	G31
Ciśnienie nominalne	[mbar]	30	37	50	30	37	50	28-30	37
Dysza głównego palnika	[mm]	1,2			1,2			1,2	
Zużycie gazu	[kg/h]	0,4	0,45	0,5	0,4	0,45	0,5	0,4	0,45
Nom. Input (Hi)	[kW]	4,5	5,0	6,4	5,1	6,4	7,4	5,1	5,1
Nom. Input (Hs)	[kW]	5,0	5,5	7	5,6	7	8	5,6	5,6
Urządzenie zabezpieczające	Termopara								
Zawór gazowy	BS190								
Przyłącze gazu (1,4 m)	Ø9mm								

SPRZEDAWCA	
Nazwa:	Pieczeńć i podpis Sprzedawcy
Adres:	
Tel/fax:	
Data sprzedaży:	
NABYWCA	
Nazwa:	
Adres:	
Tel/fax:	
Data kupna:	
<p>Kominek gazowy powinien być zainstalowany przez Instalatora posiadającego stosowne uprawnienia, zgodnie z obowiązującymi w Kraju przeznaczenia przepisami i regulacjami prawa budowlanego oraz zgodnie z wytycznymi zawartymi w Instrukcji Montażu i Obsługi.</p>	
<p>Oświadczam, iż zapoznałem się z Instrukcją Obsługi oraz Warunkami Gwarancji.</p> <p style="text-align: center;">Data i czytelny podpis Nabywcy</p>	
INSTALATOR	
Nazwa:	Pieczeńć i podpis Instalatora
Adres:	
Tel/fax:	
Data uruchomienia:	
<p>Potwierdzam, iż zainstalowany przez moją Firmę kominek gazowy zainstalowany został zgodnie z obowiązującymi przepisami i regulacjami prawa budowlanego oraz zgodnie z wytycznymi zawartymi w instrukcji montażu i obsługi.</p> <p style="text-align: center;">Zainstalowany wkład jest gotowy do bezpiecznego użytkowania.</p>	