

Installation Guide

Urfeuer 50/66

©2023

BRUNNER[®]
made in germany.

CONTENTS

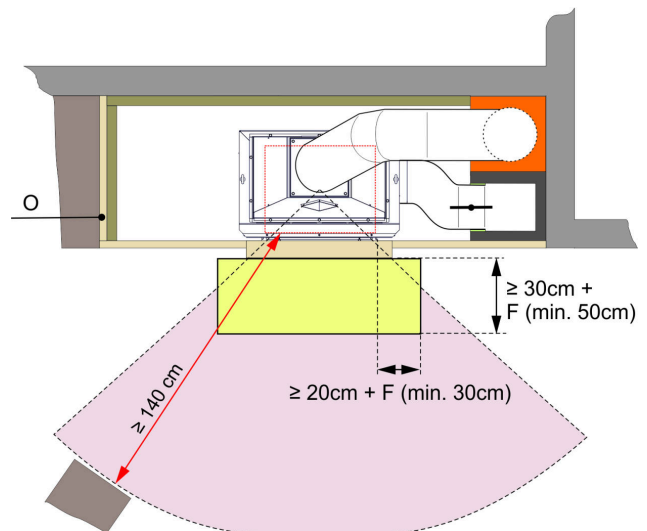
1	Urfeuer 50/66.....	1
2	Basic information.....	3
3	Product description.....	4
4	Precautionary statements.....	4
5	Delivery contents.....	5
6	Assemblies.....	6
7	Assembly.....	10
7.1	Setting up.....	10
7.2	The deflector plates.....	13
7.3	Preparation of combustion chamber.....	13
7.4	Combustion chamber.....	15
7.5	Mounting frame.....	18
7.6	Ember retainer.....	20
8	Drawings and technical data.....	22

Replacement for the chapter 'In the radiant area of the fireplace insert' from 'General construction information' of the Brunner products ment for the stove fitters':

In the radiation area of the Urfeuer fireplace

Parts made of flammable building materials or with combustible components (48) also built-in furniture (49) must have in front of the combustion chamber opening, upwards and from the sides at least a distance of **140 cm**. If these parts are shielded by a double-sided ventilated radiation protection, a distance of **70 cm** is sufficient.

O = not active surface; F = height between floor and combustion chamber



2 BASIC INFORMATION



All instructions delivered with products must be observed. We do not accept any warranty claim or liability for damage resulting from failure to observe these installation instructions!

Improper installation can cause injury and material damage!

The installation has to be carried out by an authorized stove fitter.

All installed “Urfeuers” have to be approved on site by the local chimney sweeper and the definition of the product line is the following:

“Urfeuers” are:

- decorative wood fires
- for occasionally use
- with no heating function
- which can only be used as an open fireplace

As producer, BRUNNER provides manufacturer's data to insure fire security and the right dimensions of the chimney system. With this information, the responsible regional chimney sweepers are able to approve and permit the installation of an Urfeuer.

Before installing the fireplace, consult the district chimney sweep master!

The floor space of the room must have a suitable structure and sufficient dimensions to ensure proper functioning of the fireplace. Please note, that other installation and assembly instructions are included in other packaging units!

Dimensioning of downstream heat accumulator must be according to valid stove-setting rules. During installation of the fireplace, all dimensions and minimal clearances of the fireplace casing must be held as specified by the manufacturer.

All binding national or EU standards and local regulations for the installation of fireplaces must be observed. All valid stove fitting rules and regulations of local construction law must be observed and followed. Please follow the relevant regulations of your country.

When these instructions are followed and all works are done properly, this will ensure a safe, energy-saving and environmentally friendly operation of the stove. Pictures shown are not to be considered as complete representations of any kind.

Subject to technical and assortment changes.

Please notify your supplier of any damage which might have occurred during transport. Please keep these instructions.

Please also take note of the online product documentation provided by:

[General instructions of the Brunner products installation for the stove construction.](https://www.brunner.de/produktdownloads/kachelofen-kamine/allgemeine-hinweise-fuer-den-aufbau_de.pdf)

(https://www.brunner.de/produktdownloads/kachelofen-kamine/allgemeine-hinweise-fuer-den-aufbau_de.pdf) laden können.



3 PRODUCT DESCRIPTION

The Urfeuer fireplaces can be installed together with the optional combustion air intake from outside the building. In this case, the combustion air is supplied via a separate connecting piece. The external air supply must include a tight flap or valve for closing. There are four possible variants of this flap or valve:

1. Single manual flap 250mm, part no. N003055-01
2. Single motorized flap 250mm, part no. N003055-02
3. Double manual flap 250mm, part no. N003085-01
4. Double motorized flap 250mm, part no. N003085-02

All Urfeuer fireplaces are designed for direct chimney connection and provided with a spark mesh, a protection against glowing embers and an integrated shut-off flap.

4 PRECAUTIONARY STATEMENTS



Initial operation

The paint coat of the stove is not completely hardened before reaching normal operating temperature for the first time. Smoke emissions and unpleasant odours cannot be excluded. Therefore, provide sufficient ventilation of the room when lighting the fire. Open doors and windows, use an electric fan if necessary, to ensure faster air exchange within the room. During first operation try to avoid staying in this room for too long, if possible.



Combustion air supply

Structural means for combustion air supply cannot be modified. Functionality must be ensured by regular checks.



Allowable fuels

Please use only fuels of quality and quantity described in this manual. Other fuels are not allowed.



Risk of burns

The external surfaces are getting hot. Do not touch - risk of burns! Remember to warn your children about this. Basically, children should stay away from a burning stove.

For operation use always the attached operating tool!

Fire hazard

**Distance to furnishings**

Objects made of flammable materials may not be placed on external casing surfaces of the fireplace.

Between the surfaces of the stove casings from ceramic tiles or plaster and flammable materials, a minimal distance of **5 cm** must be kept. This distance must allow for air circulation. A much greater distance must be kept from fireplace surfaces made of metal.

**Prohibited fuels**

Never use petrol or alcohol as aids for lighting fire!

Not suitable fuel types, qualities or amounts can lead to damages.

**Removing ashes**

Only cold ashes should be removed from the fireplace; store the ashes in a fire-resistant container for at least 24 hours before disposal. Glowing embers can be found in ashes for a very long time.

**Chimney fire**

In case of fire call the fire brigade immediately!

In the case of chimney fire move all flammable parts and elements away from the chimney. Watch out for flying sparks.

**Cleaning and maintenance**

The functionality and the safe operation of the fireplace depend on regular cleaning and proper maintenance.

**Spilling out embers**

To prevent spilling out of embers, use the provided protection strip when the Urfeuer fireplace is in use.

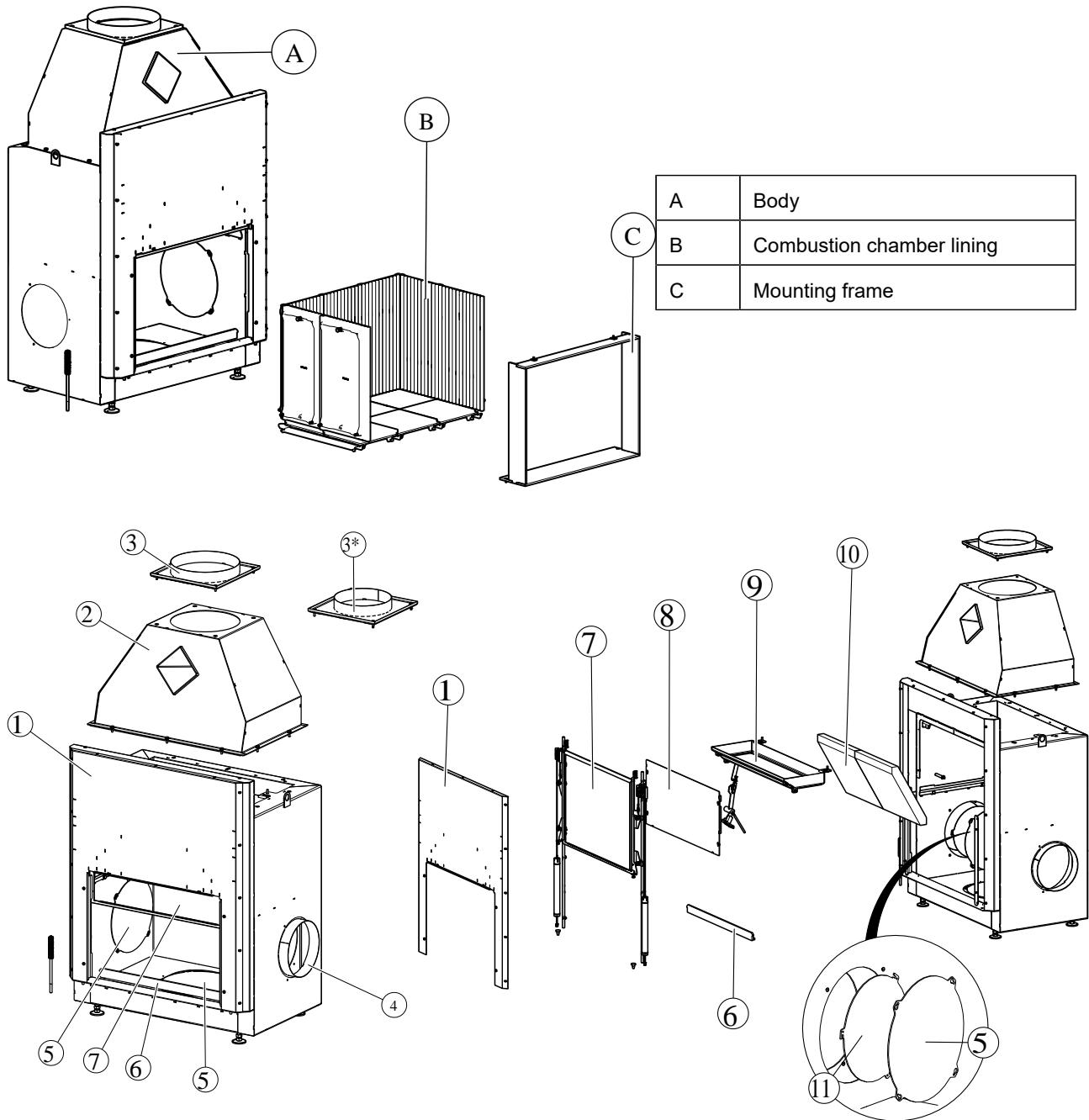
The fireplace can be used only under supervision!

5 DELIVERY CONTENTS

The basic device is delivered preassembled on a pallet. The combustion chamber linings are attached as a separate packing unit. Other components (combustion chamber extension plates, mounting frame, etc.) are delivered in further packing units.

6 ASSEMBLIES

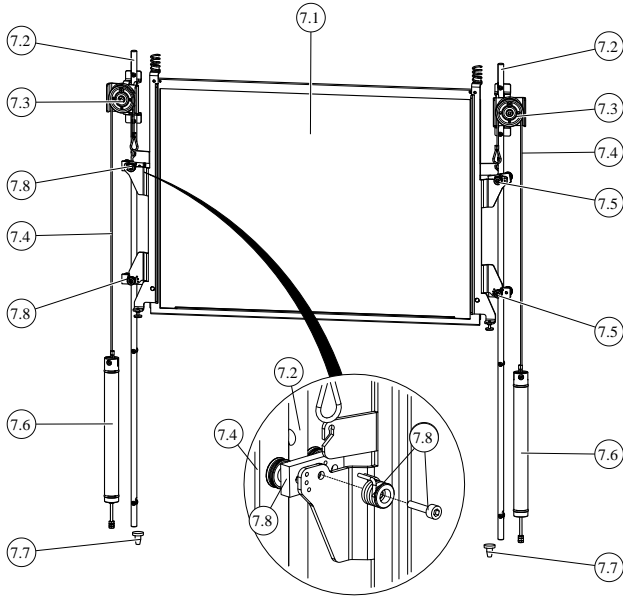
Overview



Item	Article	Designation	Pcs	Item	Article	Designation	Pcs
1	D015016	Front plate assembly	1	2	D015007	Smoke collector assembly	1
3	I008223	300 mm smoke pipe assembly	1	3*	D015042	Air intake nozzle D250 (optional)	1
4	D015120	Air connection d250	1	5	D015097	Blind cover 280	3
6	D015008-02	Spark protection	1	7	D015012	Spark protection assembly	1

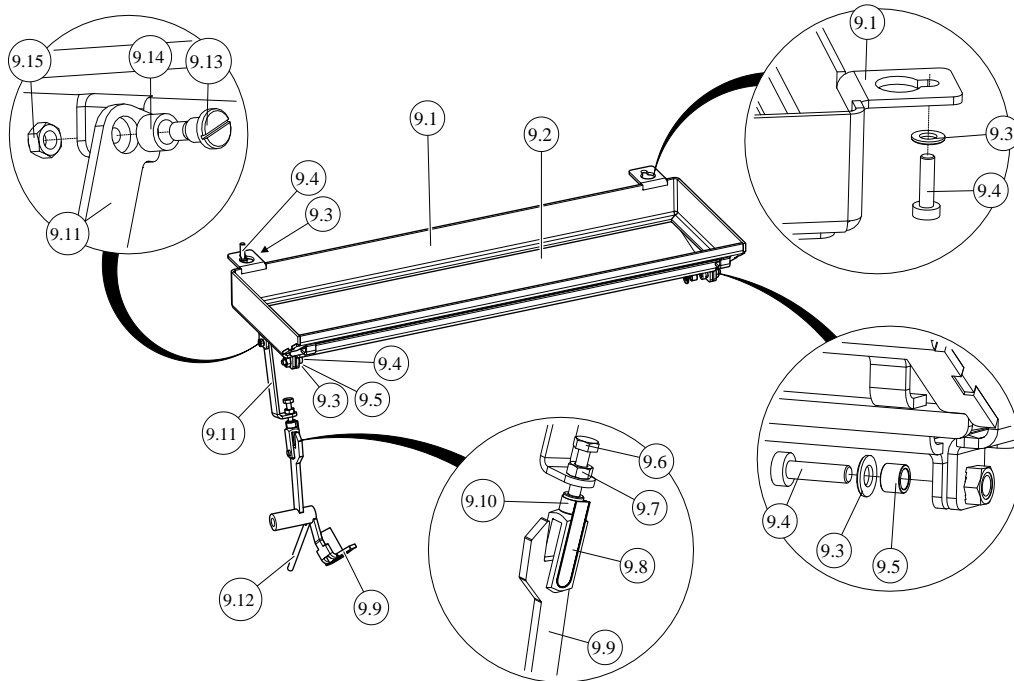
8	D015026	Cover plate assembly	1	9	D015117	Shut-off flap assembly	1
10	D015019	Deflector assembly	1	11	D015096	Blind cover d250	2

Spark protection



Item	Article	Designation	Pcs
7.1	D015013	Spark mesh bend assembly	1
7.2	D015258	Slide spark protection	2
7.3	I047124	Pulley plates assembly D60	2
7.4	2000467	Cable counterweights double side, loop L = 775mm	2
7.5	I003247	Guide roller bearing assembly right	2
7.6	D015259	Counterweights spark protection	2
7.7	I001149	Bottom door stop	2
7.8	I003212	Guide roller bearing assembly left	2

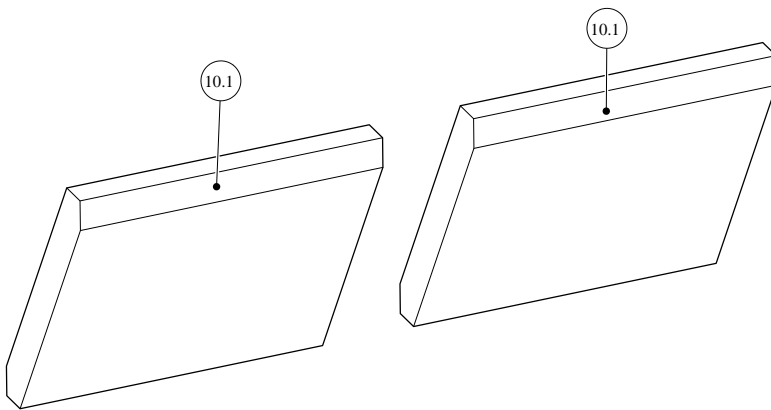
Shut-off flap



Item	Article	Designation	Pcs	Item	Article	Designation	Pcs
9.1	D015123	Frame flap assembly	1	9.2	D015087	Exhaust gas flap	1
9.3	00605	Shim D8,4	4	9.4	800176	Cylinder screw M8x25	4
9.5	800534	Plain bearing bush	2	9.6	800257	Hexagon screw M8x40	1

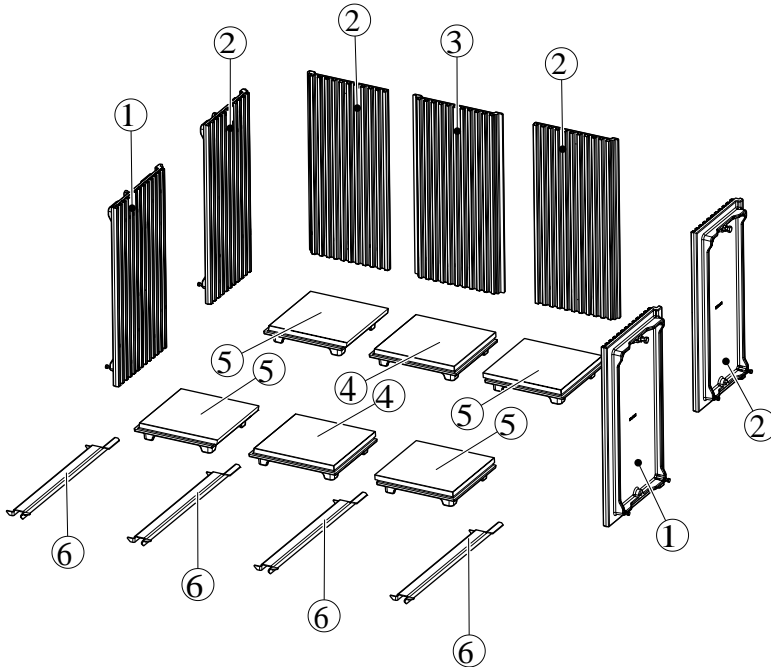
9.7	800386	Hexagon nut M8	1	9.8	800453	Fork head	1
9.9	D023040	Reversing lever shut-off flap assembly	1	9.10	900826	Spring clip with groove 8x32	1
9.11	D015115	Shut-off flap linkage, part 1	1	9.12	D023042	Signal pin	1
9.13	800423	Flat-head screw M6x8	1	9.14	800315	Plain bearing bush AMS100.064	1
9.15	800279	Hexagon nut M6	1				

Deflector



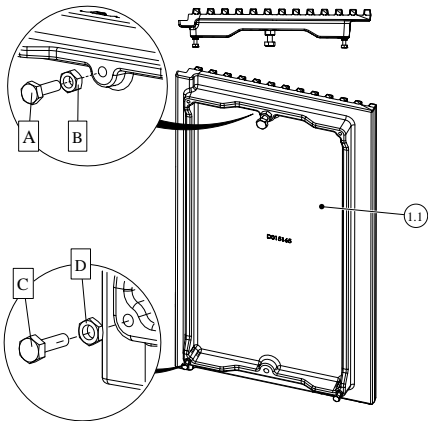
Item	Article	Designation	Pcs
10.1	D015082	Deflector	2

Combustion chamber

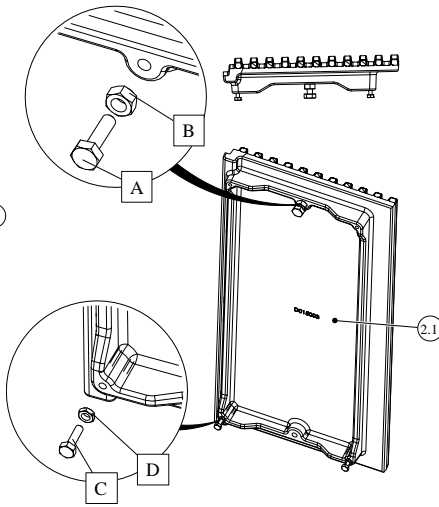


Item	Article	Designation	Pcs
1	D015166	Fire protection plate 3 assembly	2
2	D015102	Fire protection plate 2 assembly	4
3	D015101	Fire protection plate 1 assembly	1
4	D015005	Cast iron fireplace bottom plate 1	2
5	D015091	Cast iron fireplace bottom plate 2	4
6	D015018	Fireplace bottom spacer	4

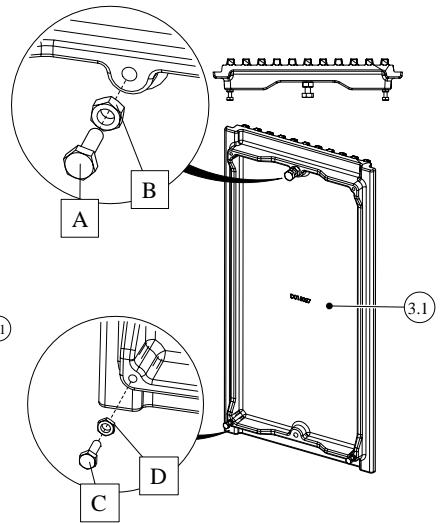
BG-8 (D015166)



BG-9 (D015102)

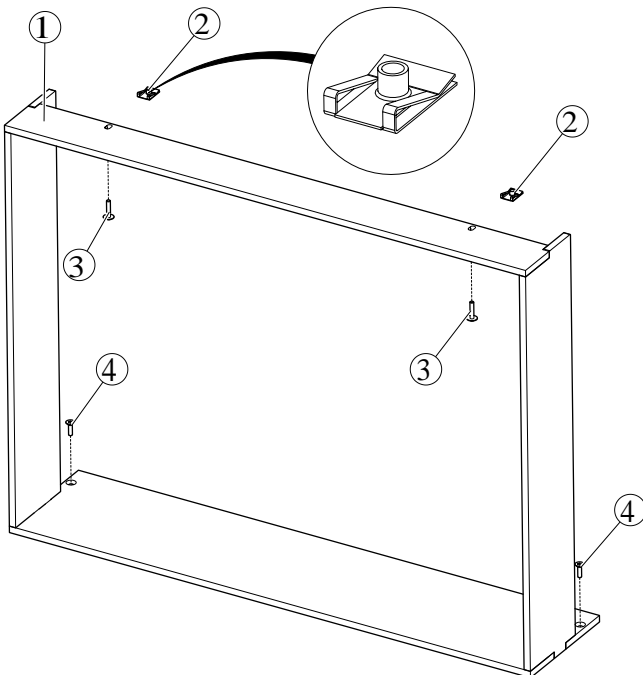


BG-10 (D015101)



Item	Article	Designation	Pcs	Item	Article	Designation	Pcs
1.1	D015165	Combustion chamber wall lining 3	2	2.1	D015003	Combustion chamber wall lining 2	4
3.1	D015027	Combustion chamber wall lining 1	1	A	800387	Hexagon screw M8x25	7
B	800386	Hexagon nut M8	7	C	800299	Hexagon screw M5x16	14
D	800002	Hexagon nut M5	14				

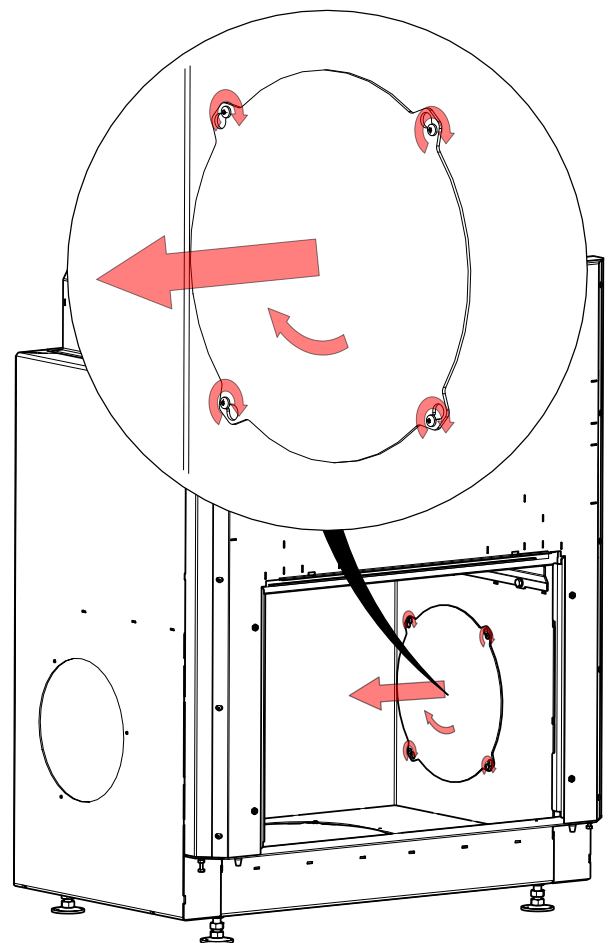
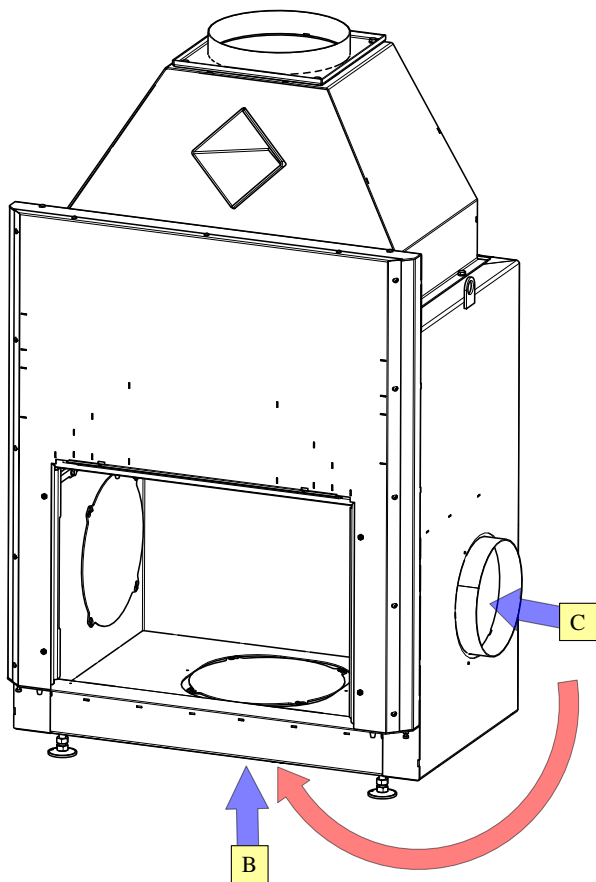
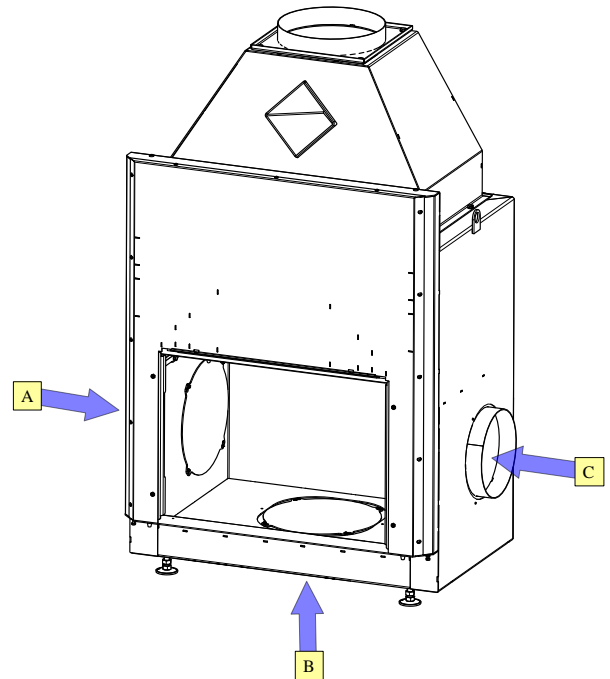
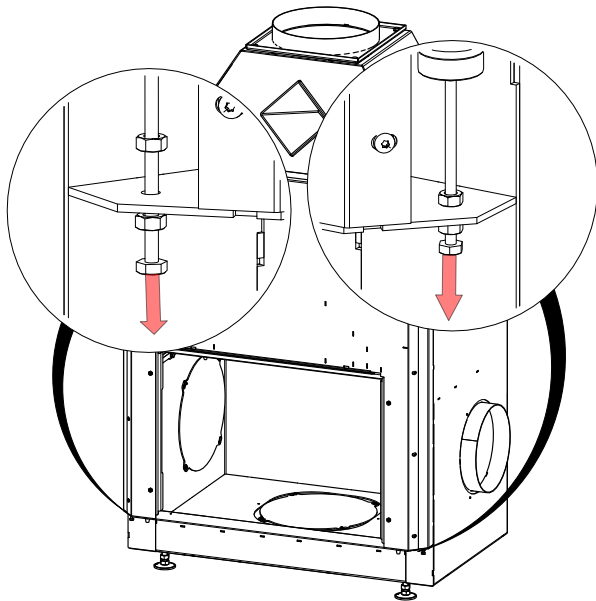
Anbaurahmen

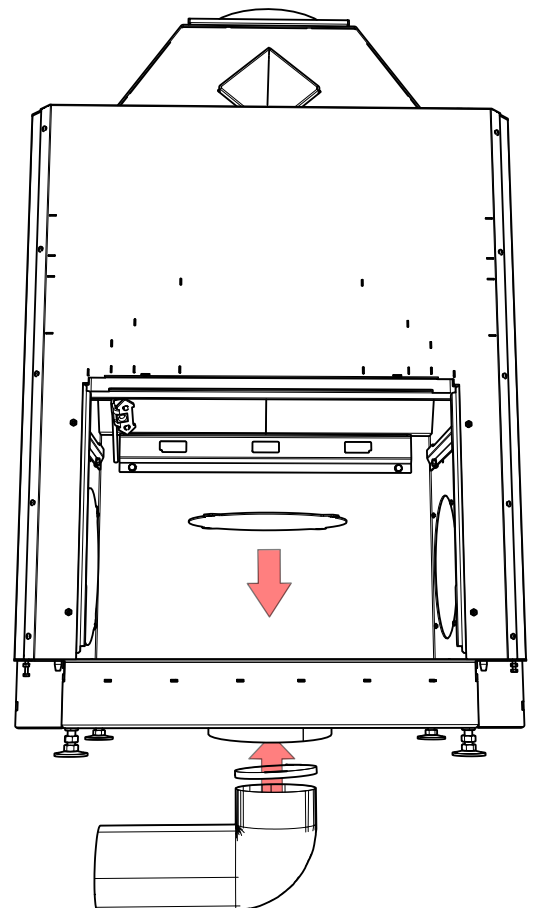
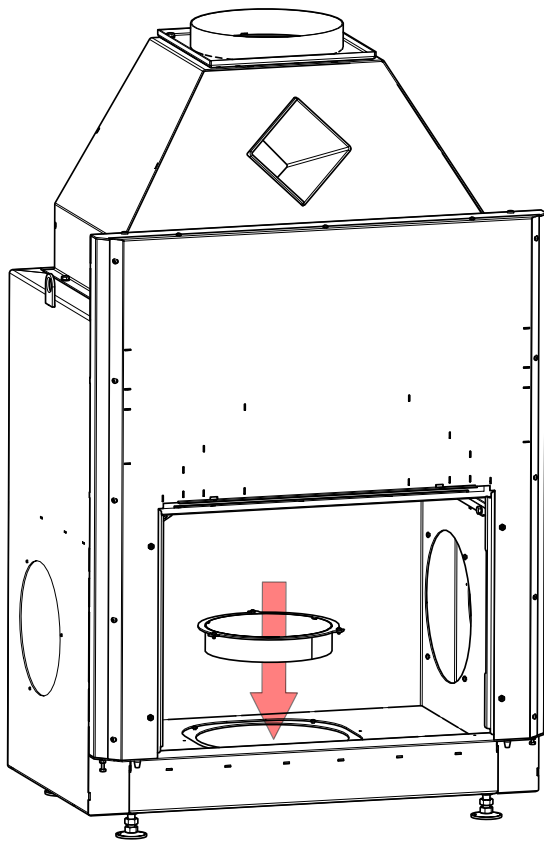
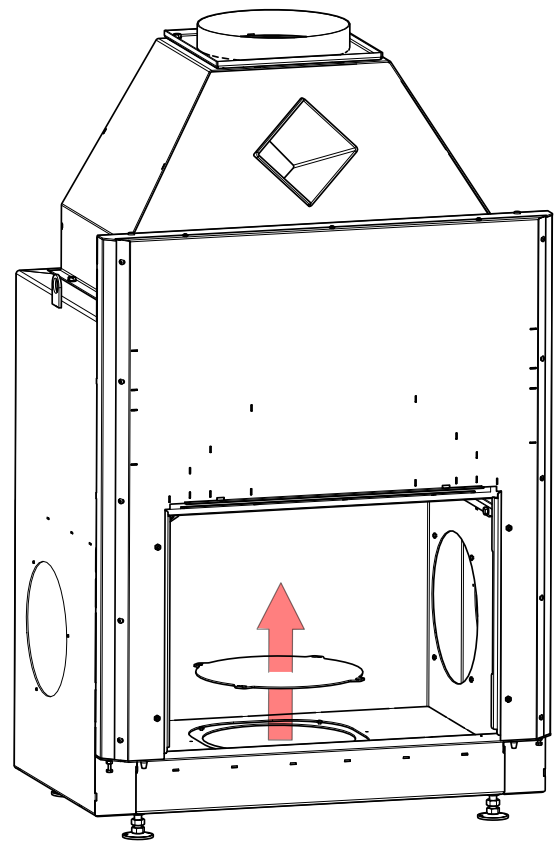
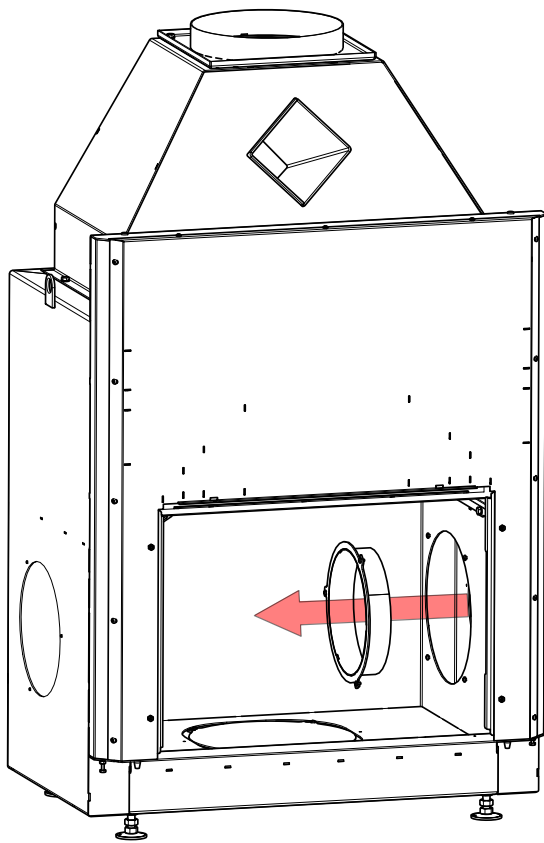


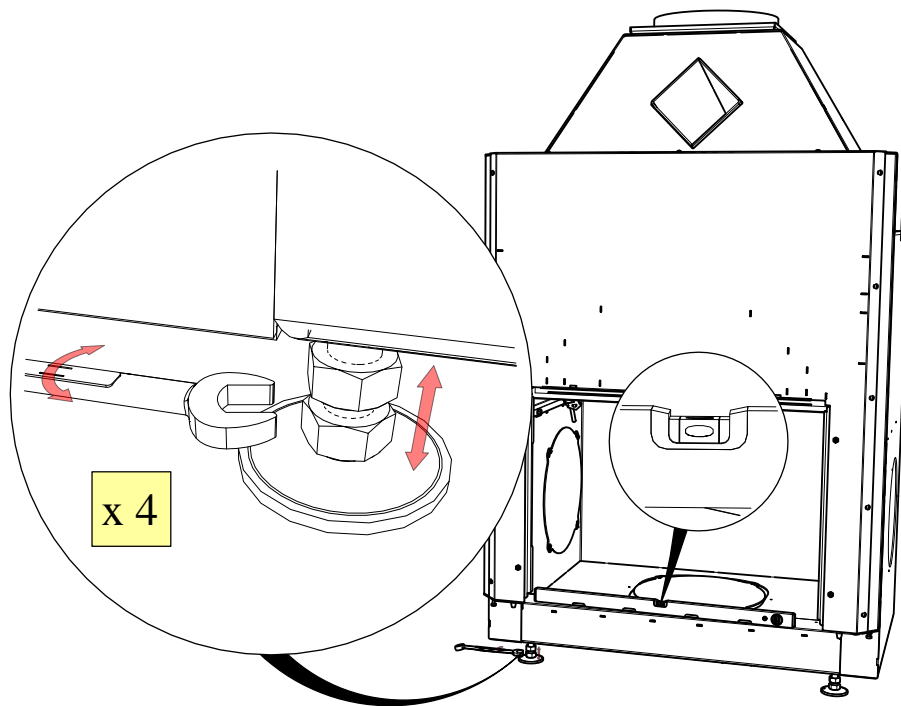
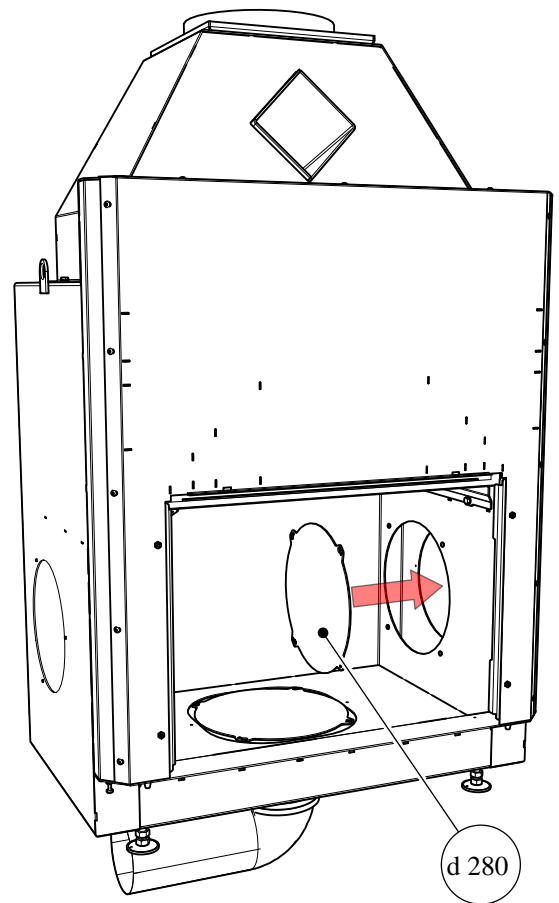
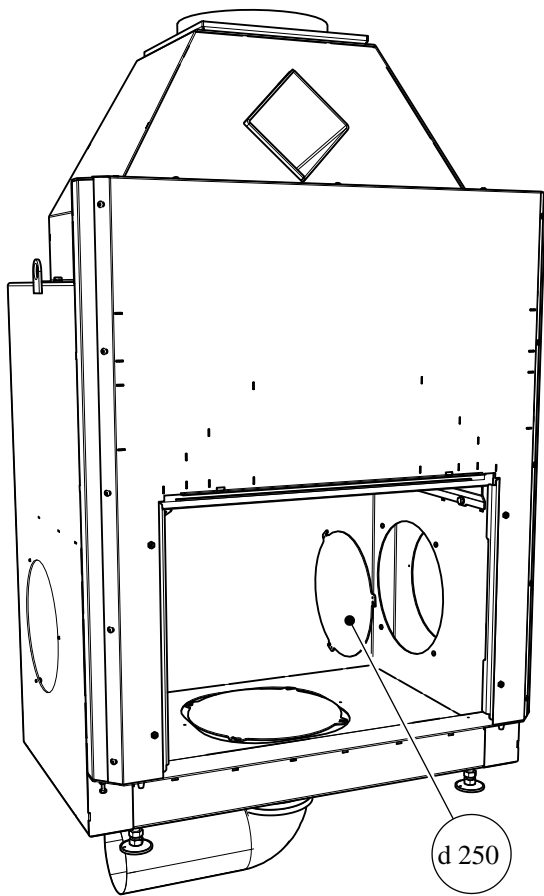
Item	Article	Designation	Pcs
1	D015011-02	Mounting frame welded	1
2	00947	Sheet metal nut M5	2
3	800529	Lens flange screw M5x20	2
4	01836	Countersunk screw M5x16	2

7 ASSEMBLY

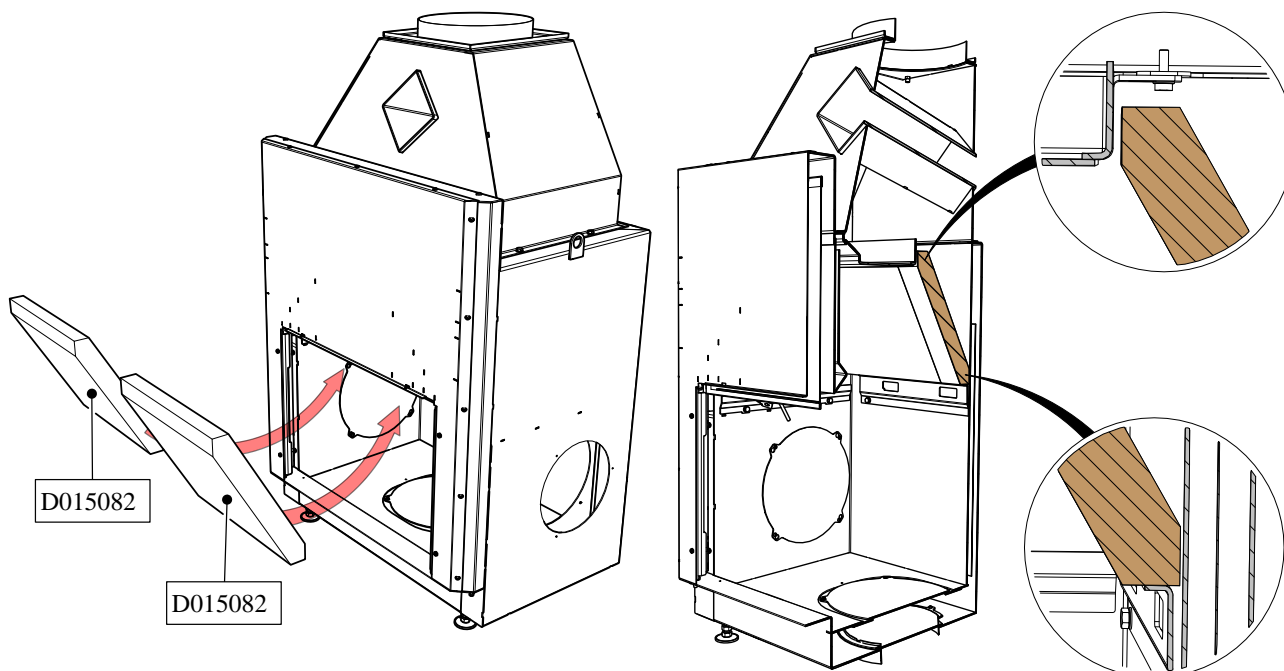
7.1 SETTING UP



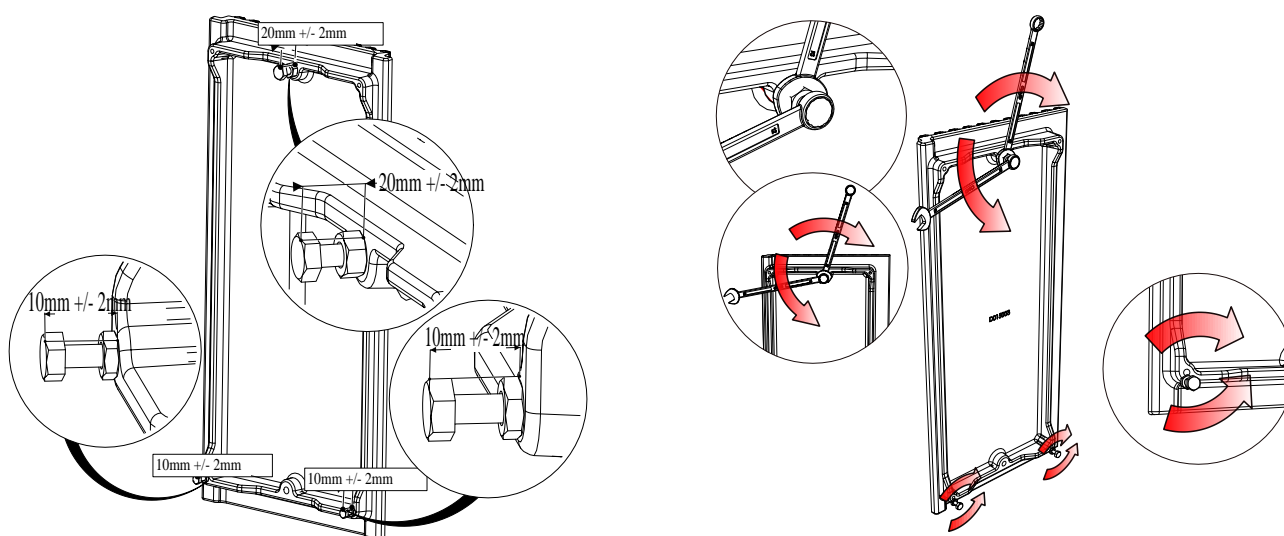


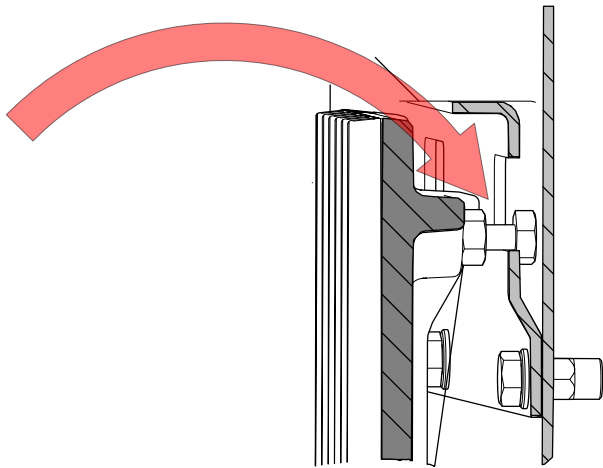
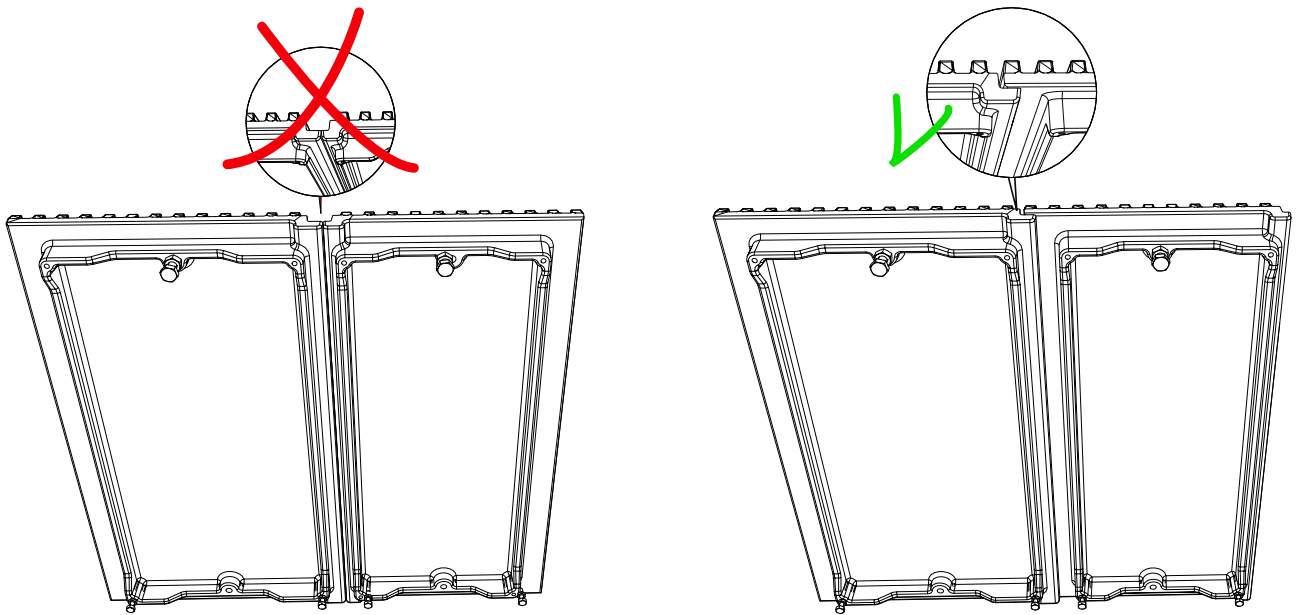


7.2 THE DEFLECTOR PLATES

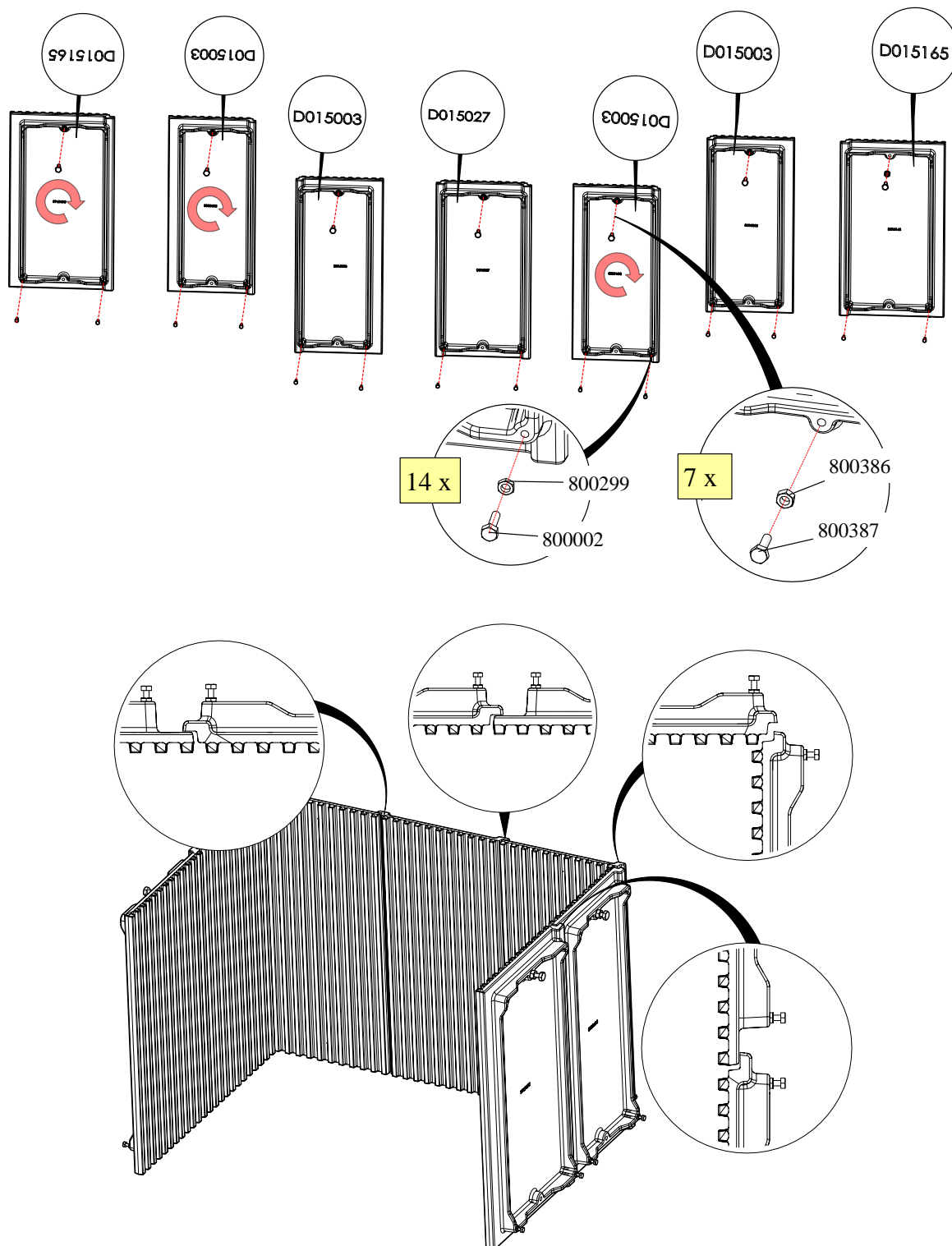


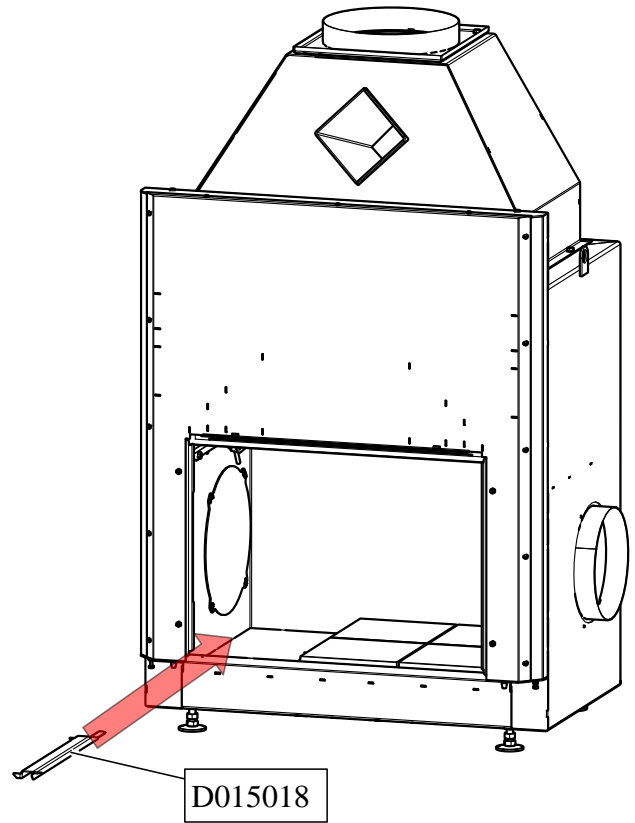
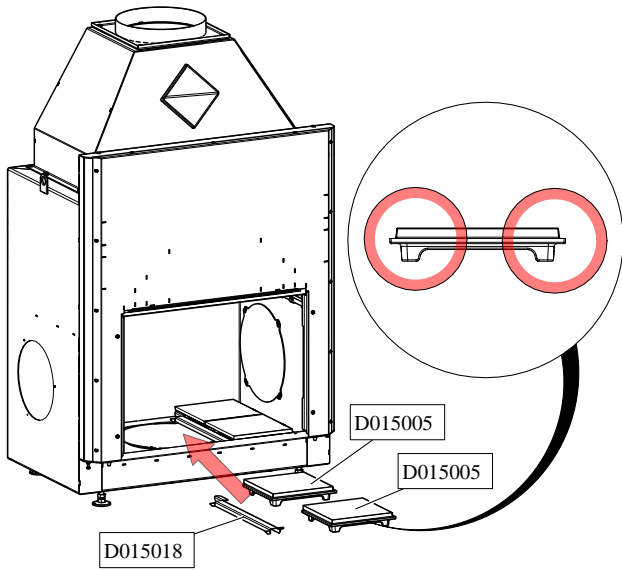
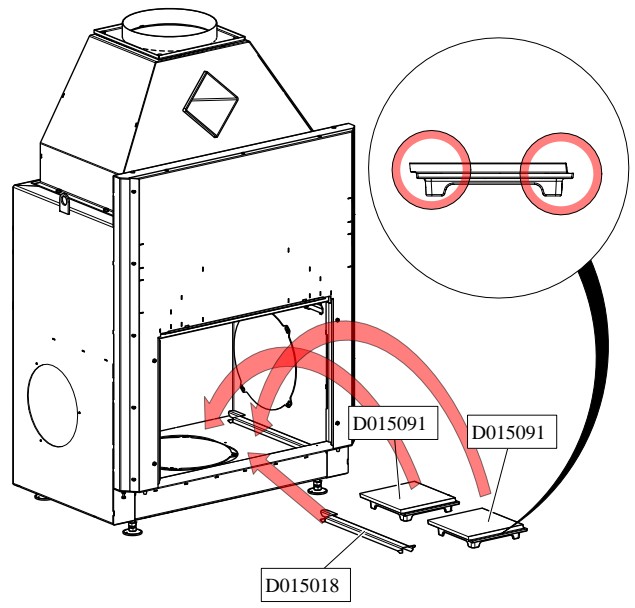
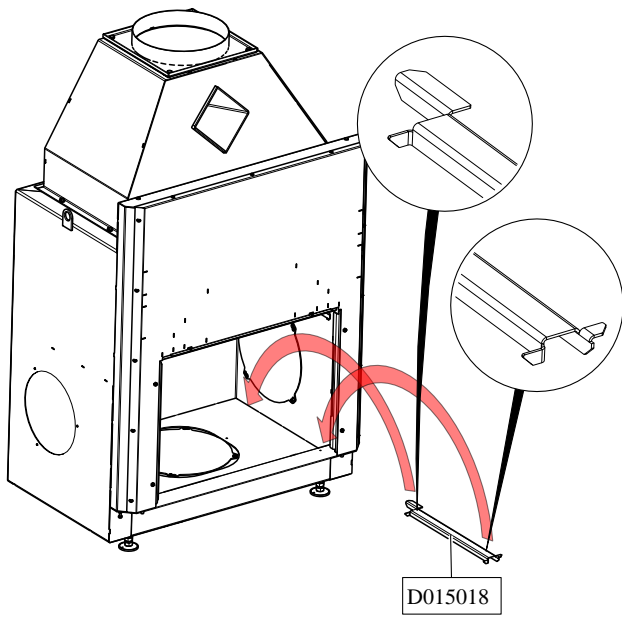
7.3 PREPARATION OF COMBUSTION CHAMBER

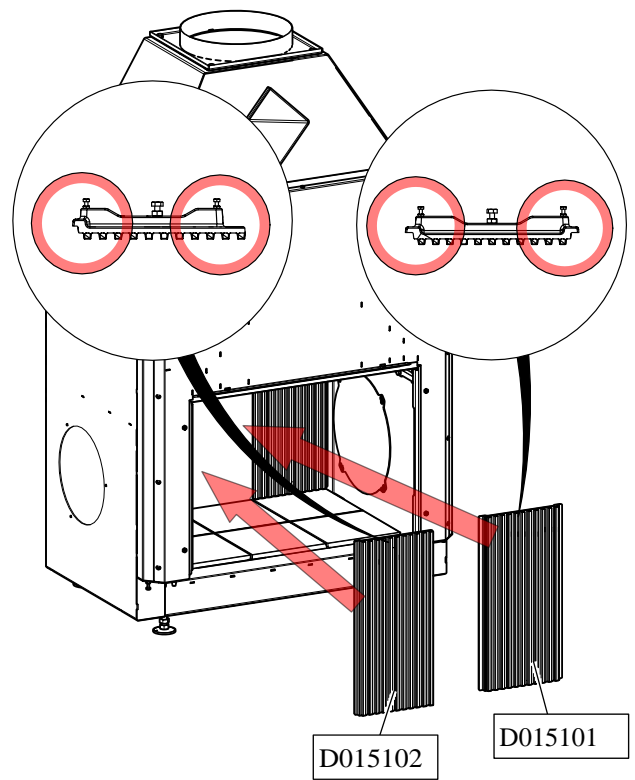
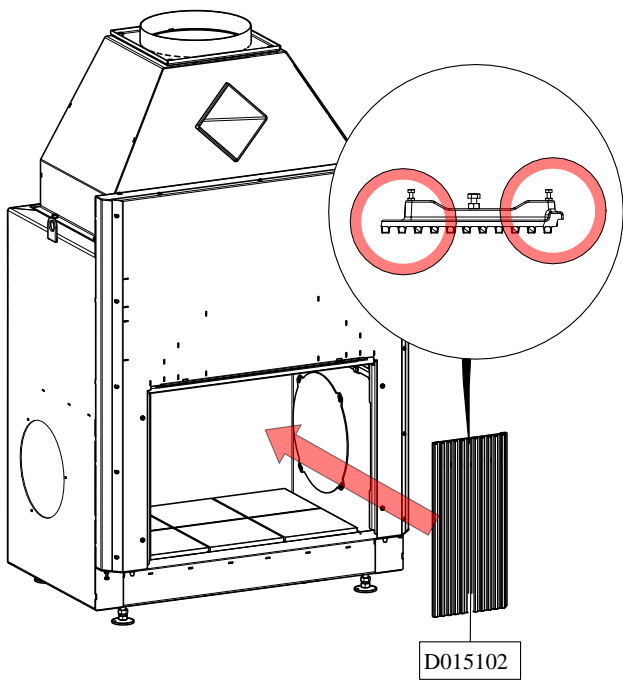
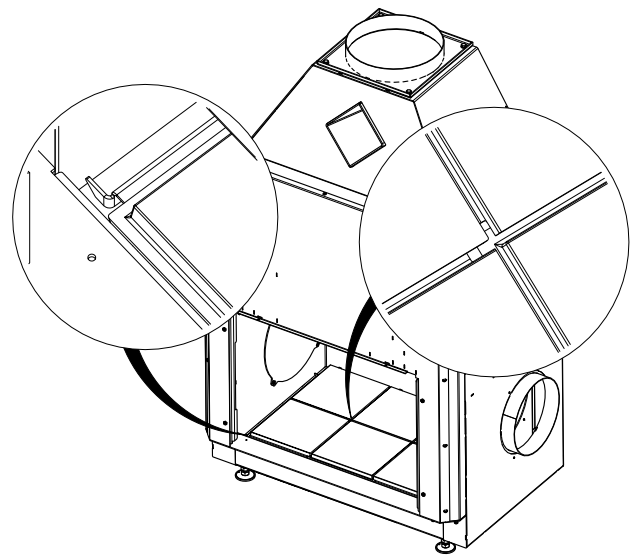
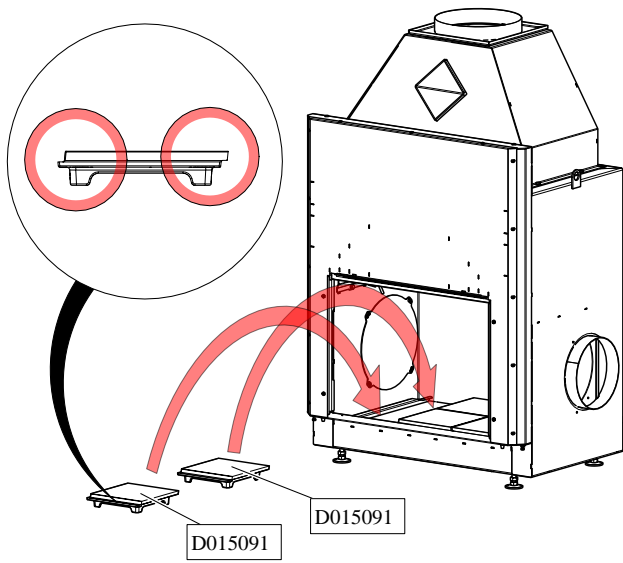


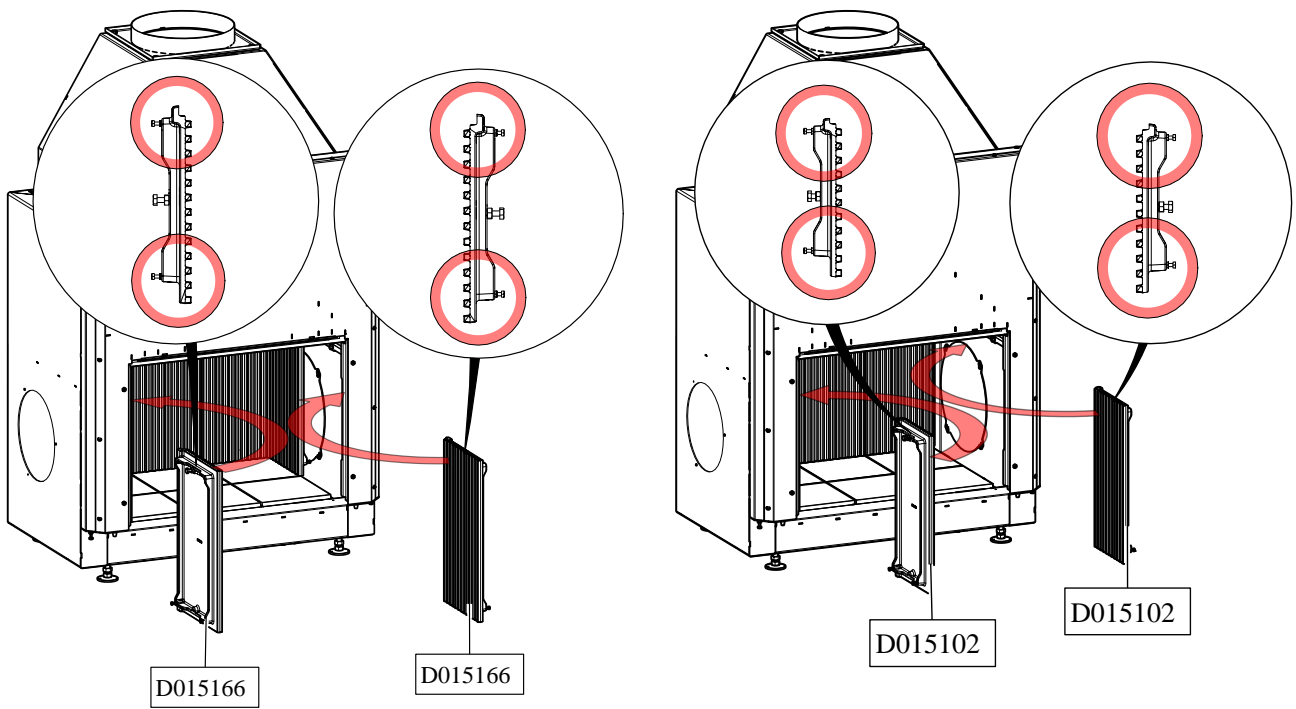


7.4 COMBUSTION CHAMBER

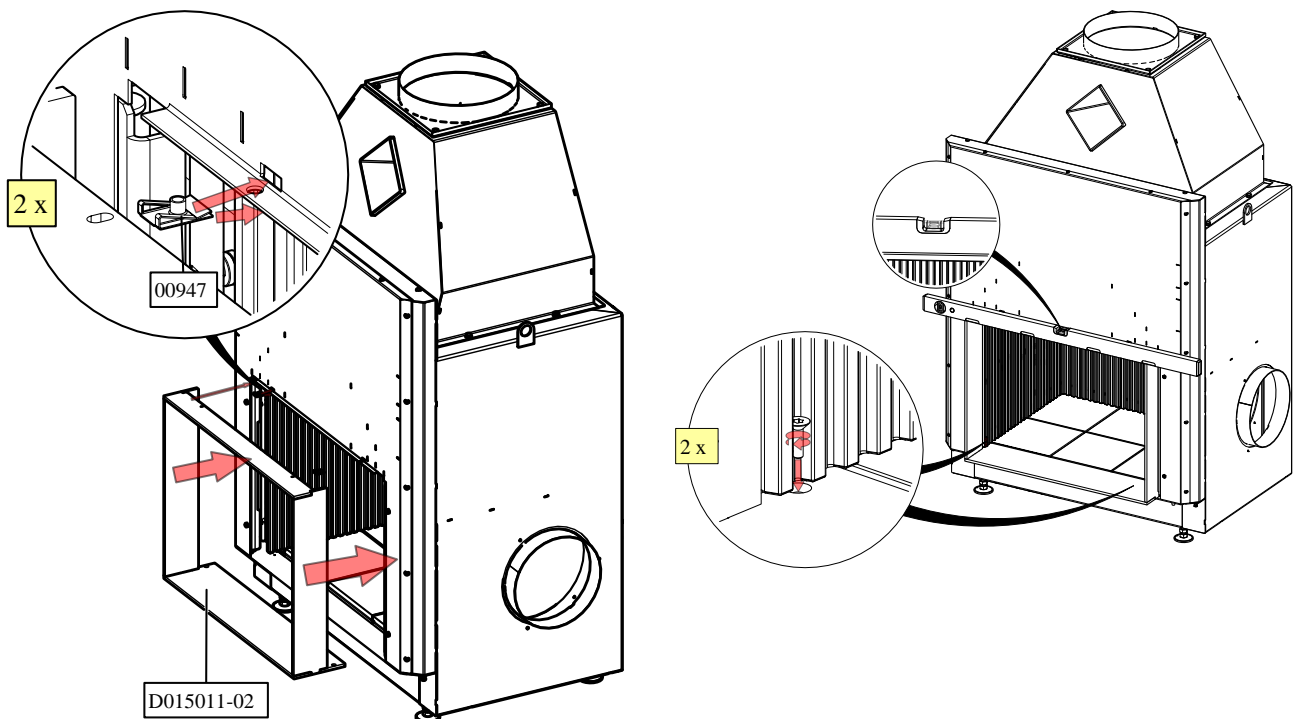


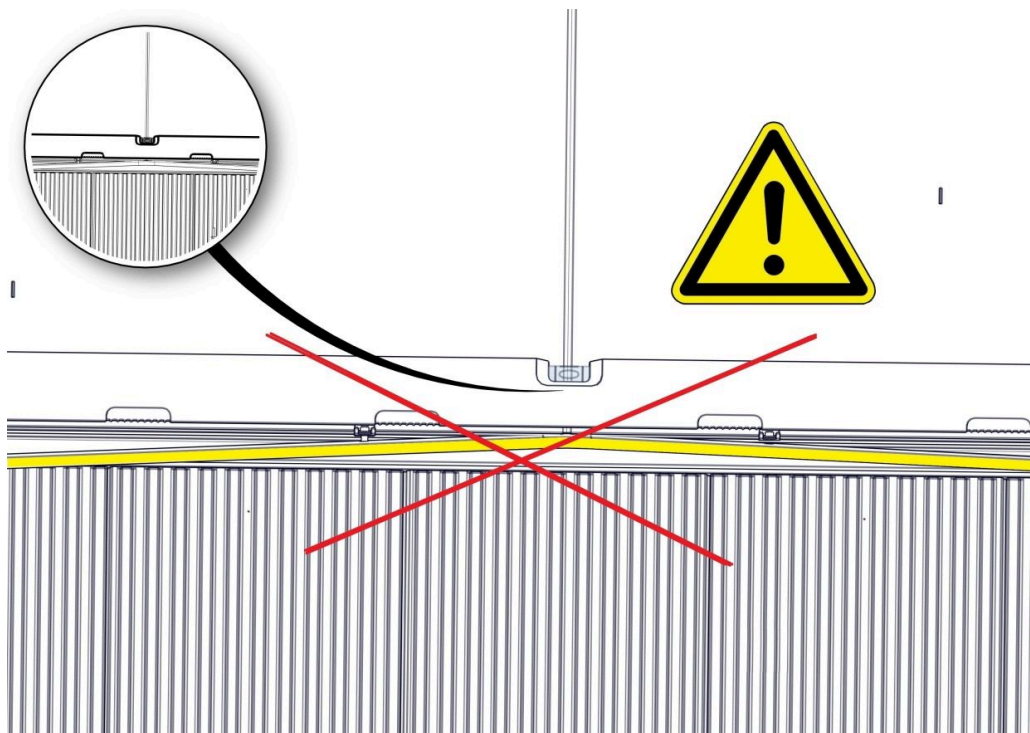
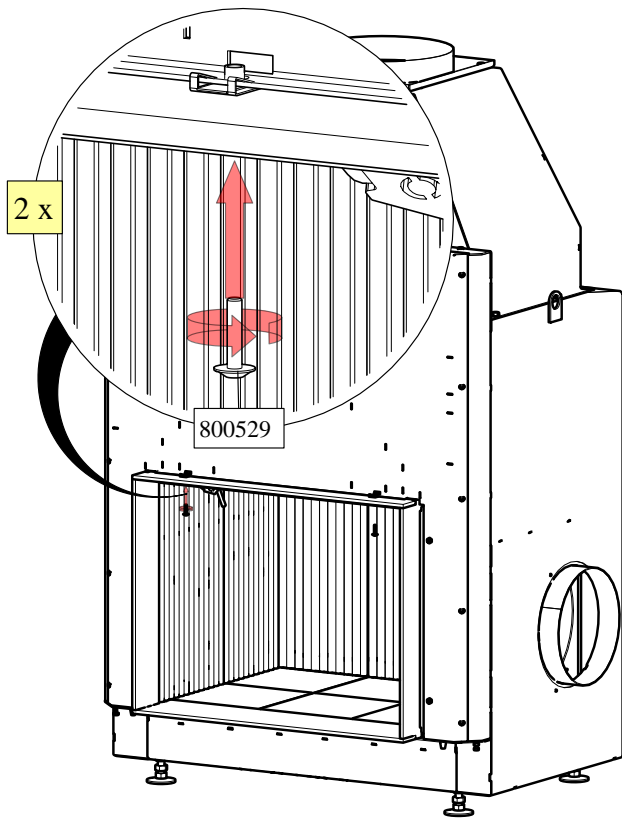


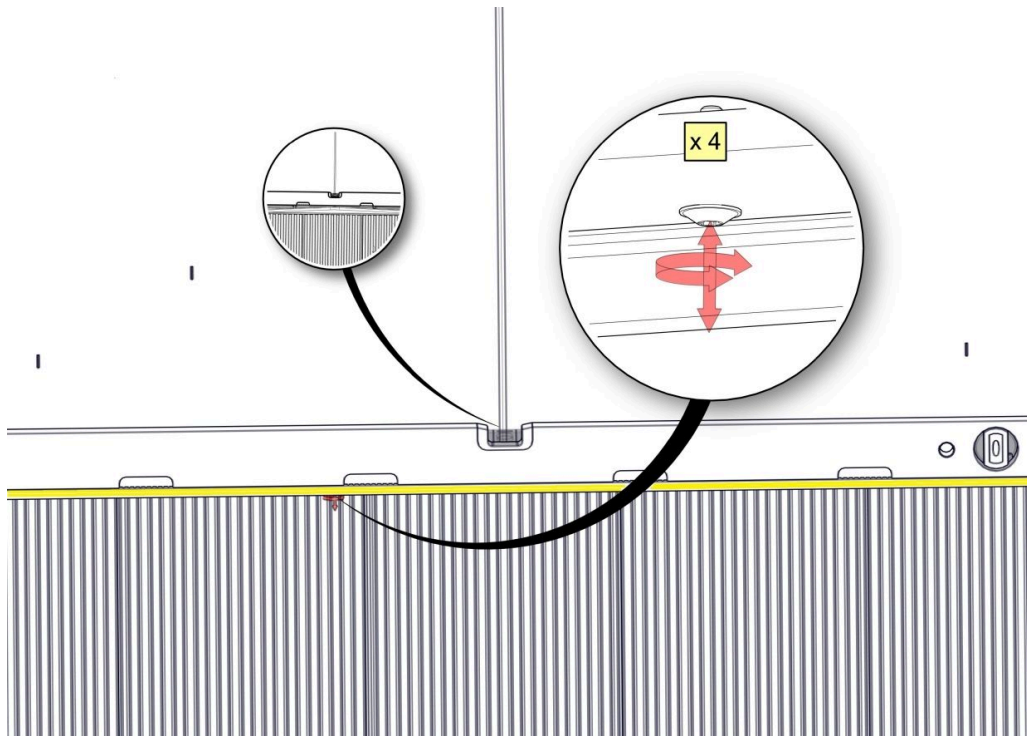




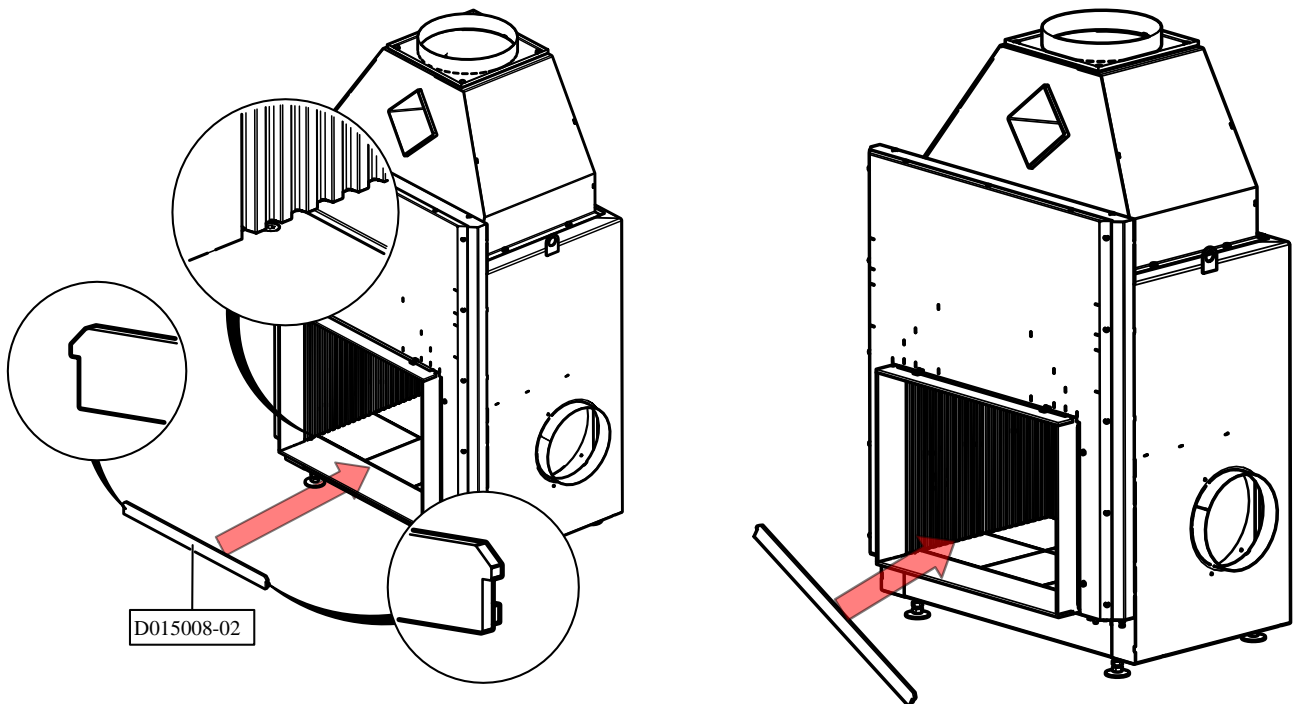
7.5 MOUNTING FRAME

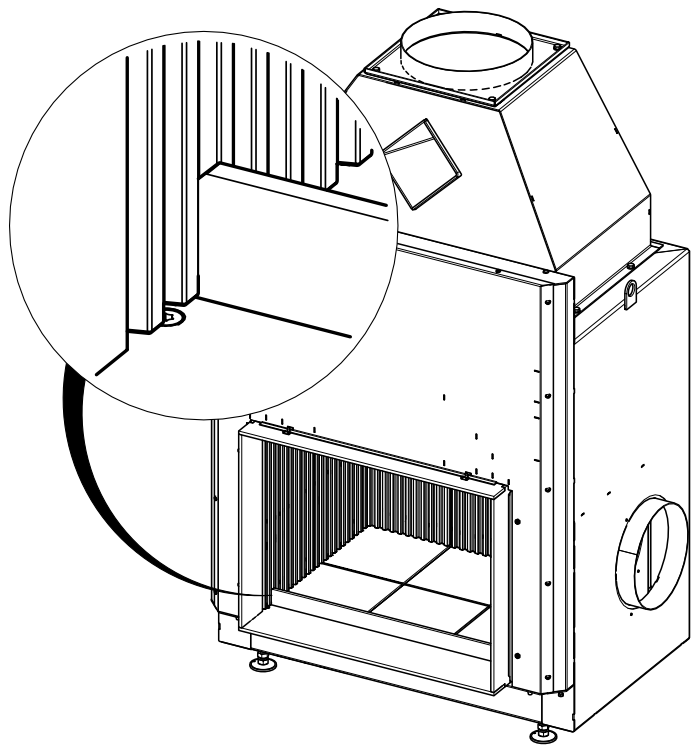
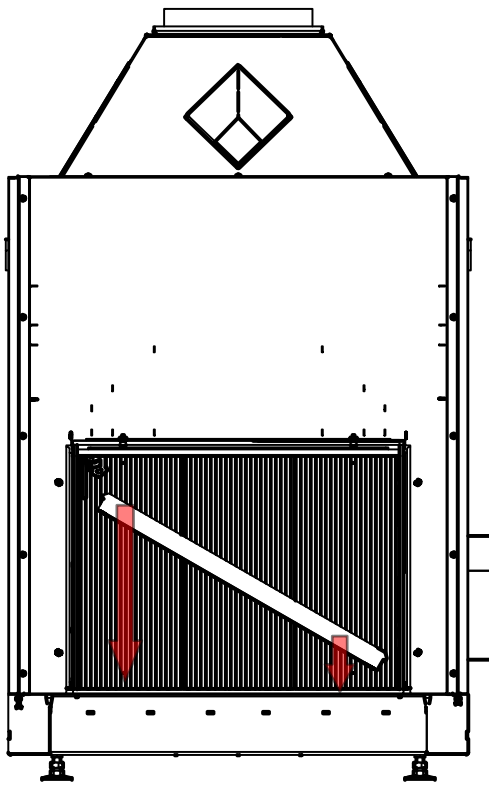




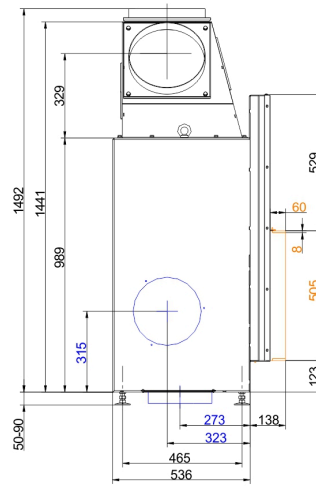
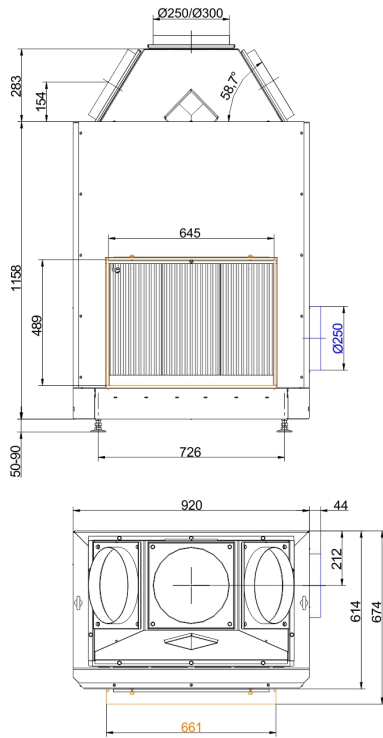


7.6 EMBER RETAINER

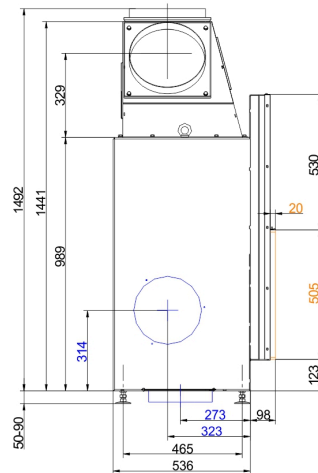
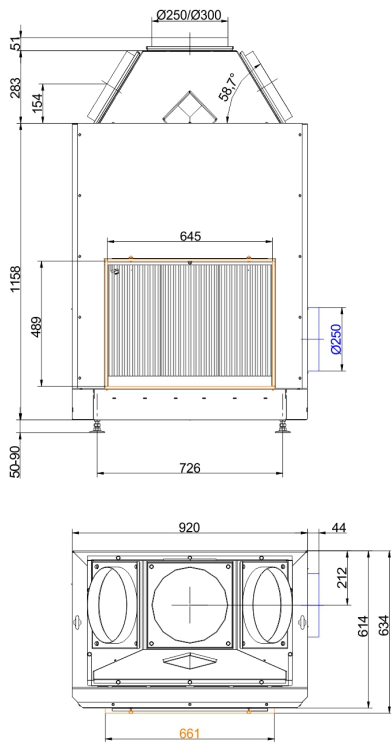




Dimension sheets - Urfeuer® 50/66

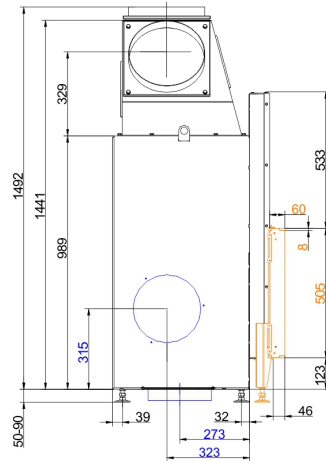
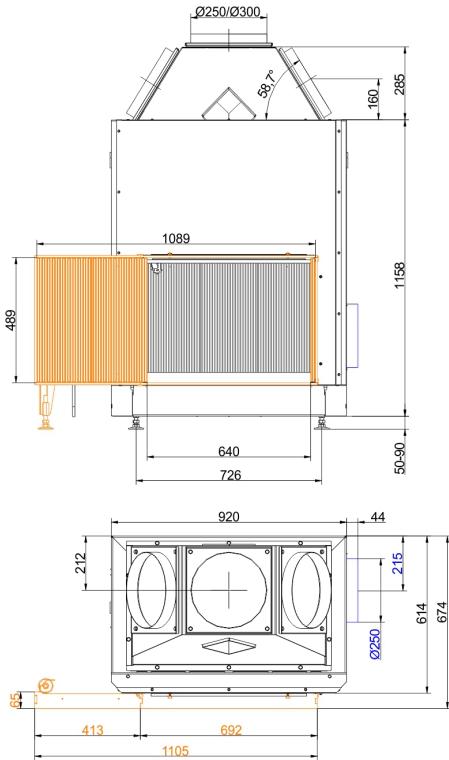


... with mounting frame

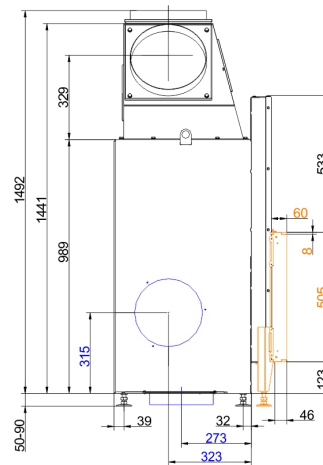
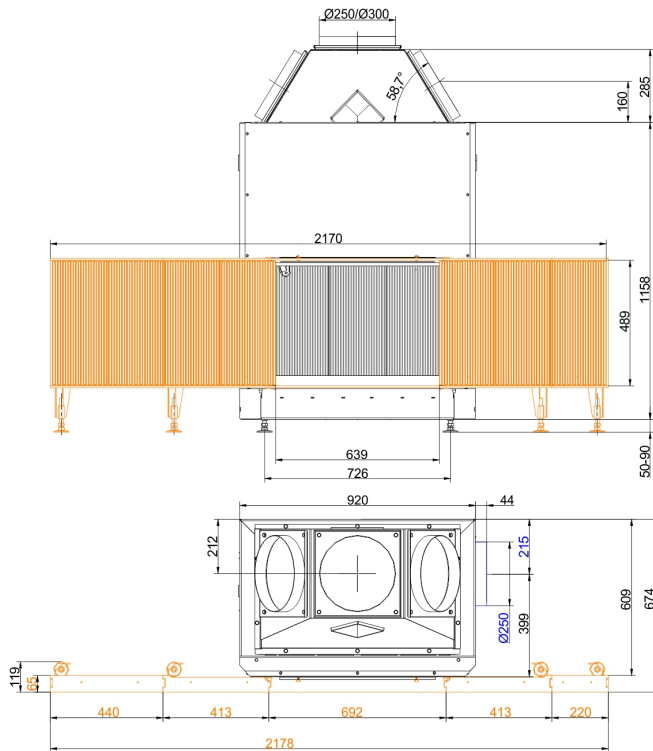


... mounting bracket

Dimension sheets - Urfeuer® 50/66



... with mounting frame L2



... with mounting frame L4 / R3

We suggest for CAD planning Palette CAD. Permanent updated drawings: www.brunner.de
 Frames/ flue gas outlet connection/ combustion air supply connection/ front variants/ support bearing are marked in color.

Planning and installation - Urfeuer® 50/66

Data for functional demonstration ¹⁾		
Flue gas mass flow	g/s	115
Flue gas temperature	°C	115
Necessary supply pressure	Pa	6
Total fuel load	kg	2 - 4
Combustion air consumption	m ³ /h	212
Combustion air connection Ø	mm	250
Cross-section of gratings		
exhaust warm air	cm ²	500
Recirculation air	cm ²	500
Minimal distances of the fireplace		
to cladding, insulation layer	cm	6
to mounting floor	cm	2.5
Heat insulation		
to mounting wall	cm	10
to mounting floor	cm	2
Brick lining for combustible wall	cm	10
from top of fireplace to ceiling	cm	14
Weight		
Fireplace / combustion chamber	kg	213 / 112

- 1) Urfeuer fireplaces are industrially prefabricated components for open fireplaces. Installation and planning are carried out according to the manufacturer's instructions and TROL. Open fireplaces may only be operated occasionally. The responsible district chimney sweep must be informed prior to the installation of an openly operated fireplace.

Ulrich Brunner GmbH
Zellhuber Ring 17-18
D-84307 Eggenfelden
Tel.: +49 (0) 8721/771-0 / Fax: +49 (0) 8721/771-100
Email: info@brunner.de

Technical and assortment changes as well as errors and misprints reserved.
Reprinting and reproduction, even in part, only with the express permission of the publisher.

Art.Nr.: 200230