

# Installation Guide

Urfeuer 4free

©2023

**BRUNNER**<sup>®</sup>  
*made in germany.*

# CONTENTS

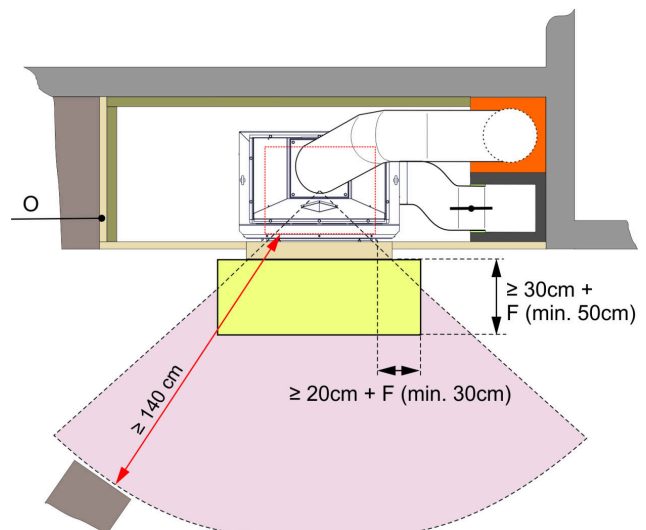
<b>1</b>	<b>Basic information.....</b>	<b>3</b>
<b>2</b>	<b>Product description.....</b>	<b>4</b>
<b>3</b>	<b>Precautionary statements.....</b>	<b>4</b>
<b>4</b>	<b>Delivery contents.....</b>	<b>5</b>
<b>5</b>	<b>Assemblies.....</b>	<b>6</b>
<b>6</b>	<b>Installation.....</b>	<b>9</b>
6.1	Optional - remove the exhaust collector.....	9
6.2	Remove the deflector plate.....	14
6.3	Installation.....	16
<b>7</b>	<b>Options.....</b>	<b>36</b>
<b>8</b>	<b>Drawings and technical data.....</b>	

Replacement for the chapter 'In the radiant area of the fireplace insert' from 'General construction information' of the Brunner products ment for the stove fitters':

### In the radiation area of the Urfeuer fireplace

Parts made of flammable building materials or with combustible components (48) also built-in furniture (49) must have in front of the combustion chamber opening, upwards and from the sides at least a distance of **140 cm**. If these parts are shielded by a double-sided ventilated radiation protection, a distance of **70 cm** is sufficient.

O = not active surface; F = height between floor and combustion chamber



# 1 BASIC INFORMATION



The present fireplace is a special design made to customer specifications. This fireplace is not type approved; There is no declaration of performance for this device!

As producer, BRUNNER provides manufacturer's data to insure fire security and the right dimensions of the chimney system. With this information, the responsible regional chimney sweepers are able to approve and permit the installation of an Urfeuer.

The responsibility for the installation (according to TROL) and operation lies exclusively with the specialist craftsman!

Before installing the fireplace, consult the district chimney sweep master!



All instructions delivered with products must be observed. We do not accept any warranty claim or liability for damage resulting from failure to observe these installation instructions!

Improper installation can cause injury and material damage!

The installation has to be carried out by an authorized stove fitter.

The floor space of the room must have a suitable structure and sufficient dimensions to ensure proper functioning of the fireplace.

Please note, that other installation and assembly instructions are included in other packaging units!

Dimensioning of downstream heat accumulator must be according to valid stove-setting rules.

During installation of the fireplace, all dimensions and minimal clearances of the fireplace casing must be held as specified by the manufacturer.

All binding national or EU standards and local regulations for the installation of fireplaces must be observed.

All valid stove fitting rules and regulations of local construction law must be observed and followed.

Please follow the relevant regulations of your country.

When these instructions are followed and all works are done properly, this will ensure a safe, energy-saving and environmentally friendly operation of the stove. Pictures shown are not to be considered as complete representations of any kind.

Subject to technical and assortment changes.

Please notify your supplier of any damage which might have occurred during transport.

Please keep these instructions.

Please also take note of the online product documentation provided by:



[General instructions of the Brunner products installation for the stove construction.](https://www.brunner.de/produktdownloads/kacheloefen-kamine/allgemeine-hinweise-fuer-den-aufbau_de.pdf)

([https://www.brunner.de/produktdownloads/kacheloefen-kamine/allgemeine-hinweise-fuer-den-aufbau\\_de.pdf](https://www.brunner.de/produktdownloads/kacheloefen-kamine/allgemeine-hinweise-fuer-den-aufbau_de.pdf)) laden können.



## 2 PRODUCT DESCRIPTION

The Urfeuer fireplaces can be installed together with the optional combustion air intake from outside the building. In this case, the combustion air is supplied via a separate connecting piece. The external air supply must include a tight flap or valve for closing. There are four possible variants of this flap or valve:

1. Single manual flap 250mm, part no. N003055-01
2. Single motorized flap 250mm, part no. N003055-02
3. Double manual flap 250mm, part no. N003085-01
4. Double motorized flap 250mm, part no. N003085-02

All Urfeuer fireplaces are designed for direct chimney connection and provided with a spark mesh, a protection against glowing embers and an integrated shut-off flap.

## 3 PRECAUTIONARY STATEMENTS



### Initial operation

The paint coat of the stove is not completely hardened before reaching normal operating temperature for the first time. Smoke emissions and unpleasant odours cannot be excluded. Therefore, provide sufficient ventilation of the room when lighting the fire. Open doors and windows, use an electric fan if necessary, to ensure faster air exchange within the room. During first operation try to avoid staying in this room for too long, if possible.



### Combustion air supply

Structural means for combustion air supply cannot be modified. Functionality must be ensured by regular checks.



### Allowable fuels

Please use only fuels of quality and quantity described in this manual. Other fuels are not allowed.



### Risk of burns

The external surfaces are getting hot. Do not touch - risk of burns! Remember to warn your children about this. Basically, children should stay away from a burning stove.

For operation use always the attached operating tool!

### Fire hazard

**Distance to furnishings**

Objects made of flammable materials may not be placed on external casing surfaces of the fireplace.

Between the surfaces of the stove casings from ceramic tiles or plaster and flammable materials, a minimal distance of **5 cm** must be kept. This distance must allow for air circulation. A much greater distance must be kept from fireplace surfaces made of metal.

**Prohibited fuels**

Never use petrol or alcohol as aids for lighting fire!

Not suitable fuel types, qualities or amounts can lead to damages.

**Removing ashes**

Only cold ashes should be removed from the fireplace; store the ashes in a fire-resistant container for at least 24 hours before disposal. Glowing embers can be found in ashes for a very long time.

**Chimney fire**

In case of fire call the fire brigade immediately!

In the case of chimney fire move all flammable parts and elements away from the chimney. Watch out for flying sparks.

**Cleaning and maintenance**

The functionality and the safe operation of the fireplace depend on regular cleaning and proper maintenance.

**Spilling out embers**

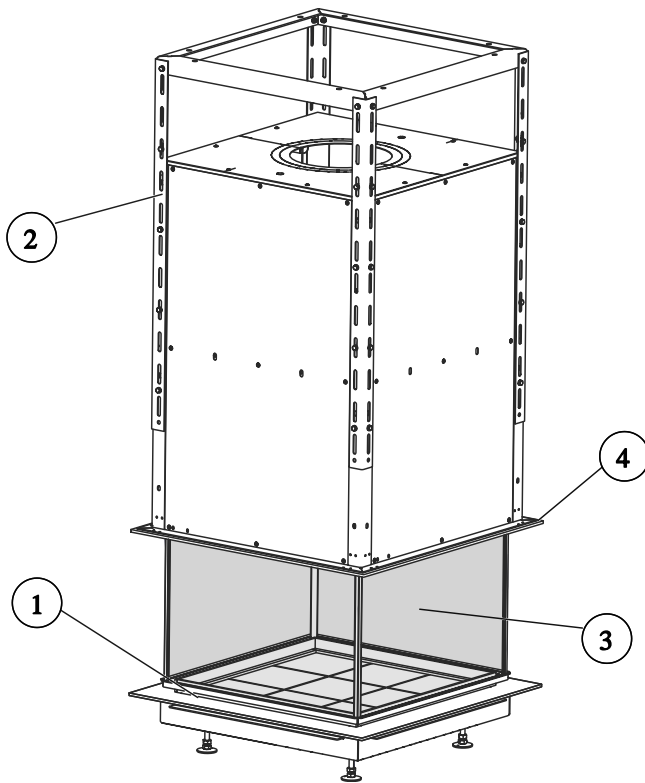
To prevent spilling out of embers, use the provided protection strip when the Urfeuer fireplace is in use.

The fireplace can be used only under supervision!

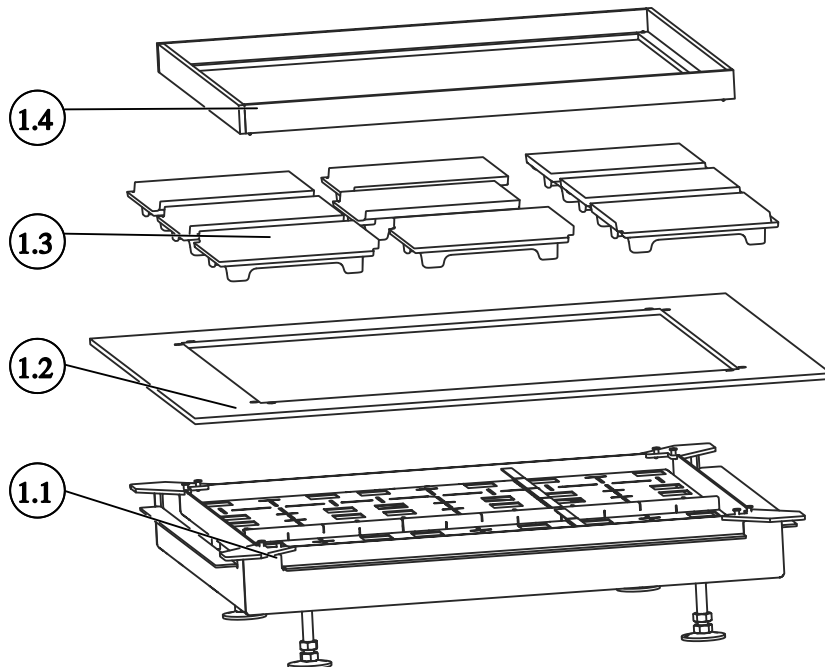
## 4 DELIVERY CONTENTS

The basic device is delivered preassembled on a pallet. The combustion chamber linings are attached as a separate packing unit. Other components (combustion chamber extension plates, mounting frame, etc.) are delivered in further packing units.

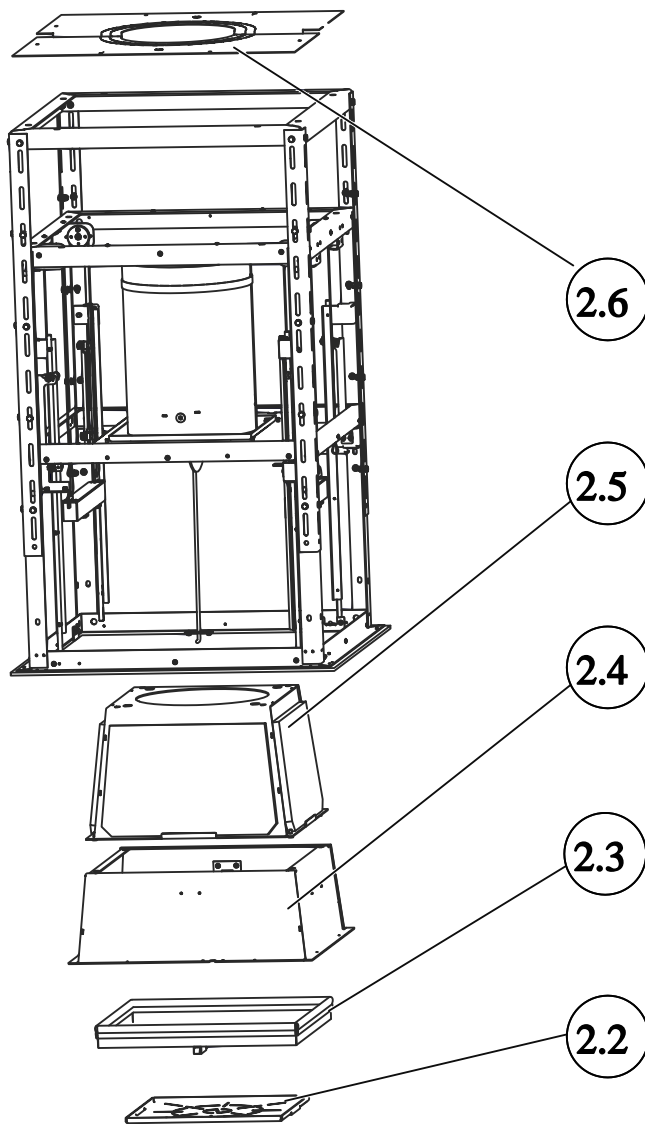
## 5 ASSEMBLIES



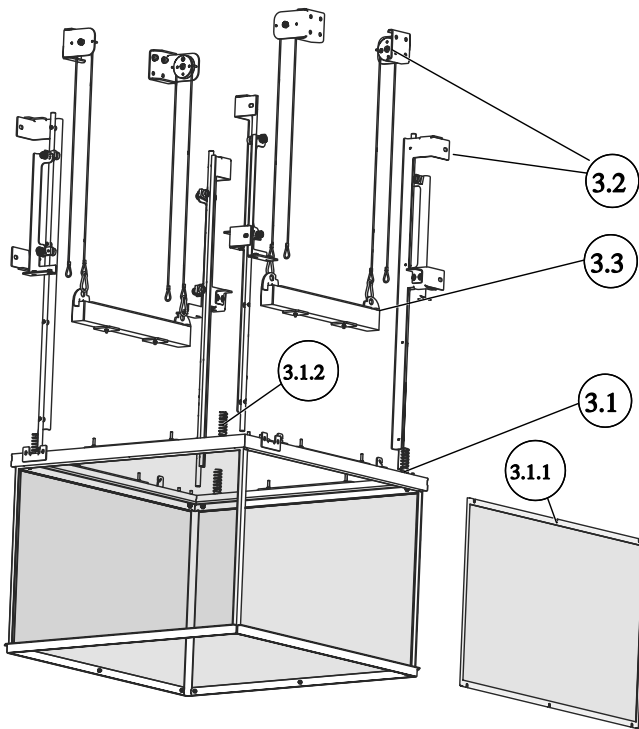
Pos.	Designation	Article.:
1	Bottom of combustion chamber	D027010
2	4free delivered condition	D027002
3	Spark protection mesh	D027009
4	Cover on top	D027126



Pos.	Designation	Article.:	Pcs.	Pos.	Designation	Article.:	Pcs.
1.1	Assembly of the bottom	D027020	1	1.2	Narrow bottom frame	D027125	1
1.3	Cast iron bottom plate G 2	D015091	9	1.4	Ember retainer	D027013	1



Pos.	Designation	Article.:	Pcs.
2.2	Baffle plate - Steel	D027102	1
2.3	Soot box	D027131	1
2.4	Smoke collector below	D027046	1
2.5	Smoke collector	D027045	1
2.6	Metal sheet cover for corpus	D027127	2



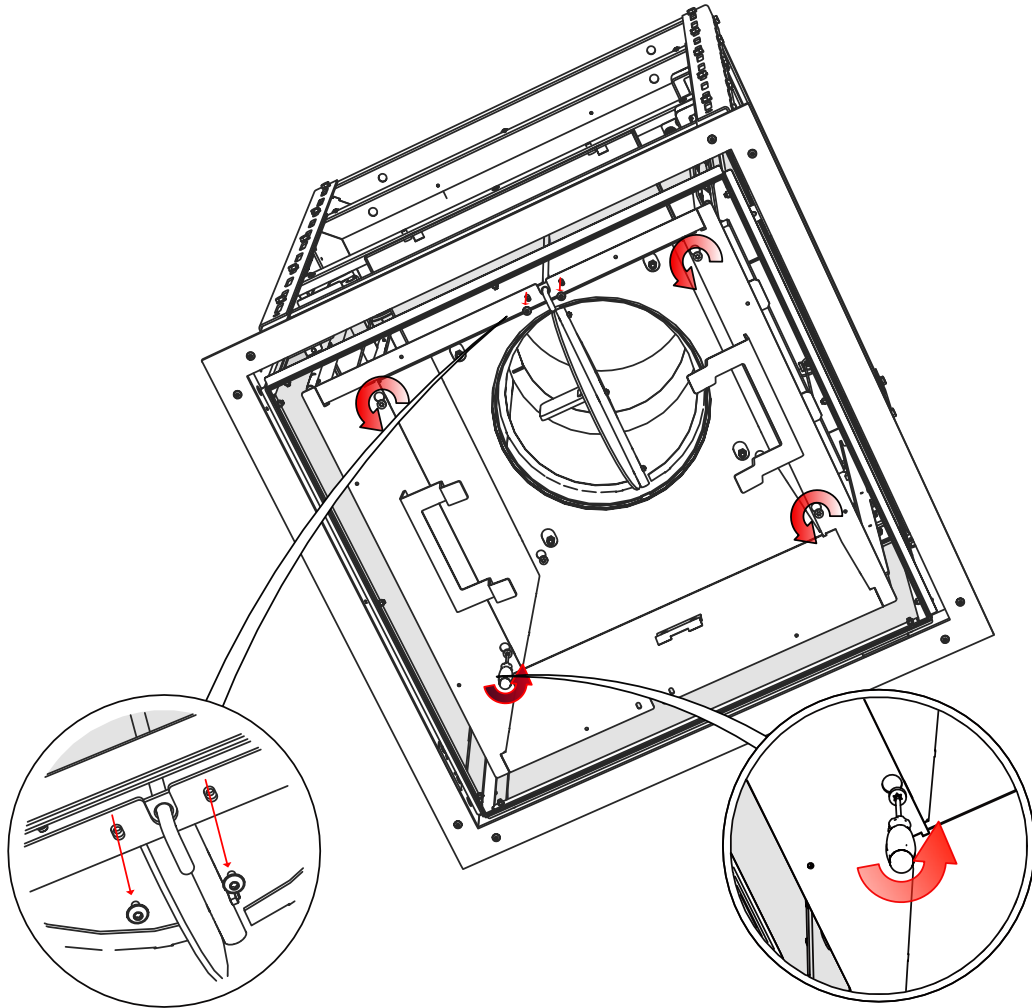
Pos.	Designation	Article.:	Stk.
3.1	Support frame spark protection	D027083	1
3.1.1	Spark protection mesh	D027086	1
3.1.2	Stop spring	900008	4
3.2	Lifting mechanism of spark prot. mesh	D027019	1
3.3	Counterweight	D027070	1

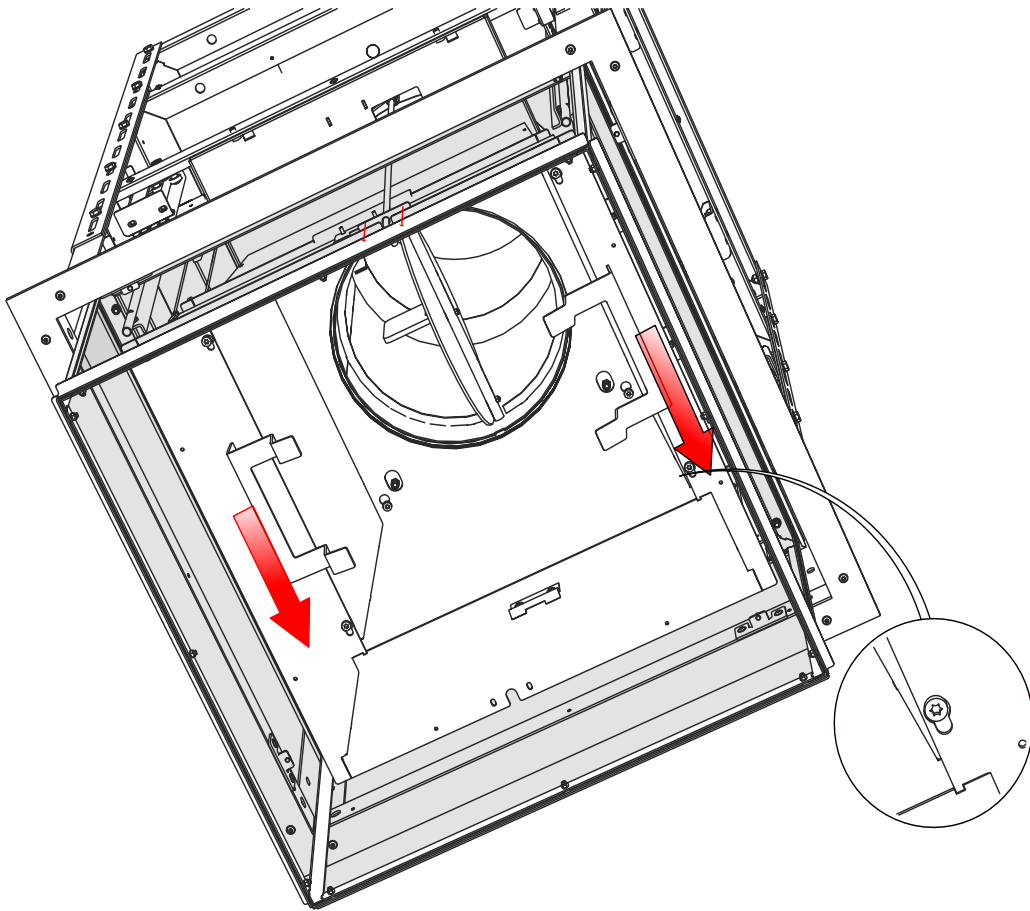


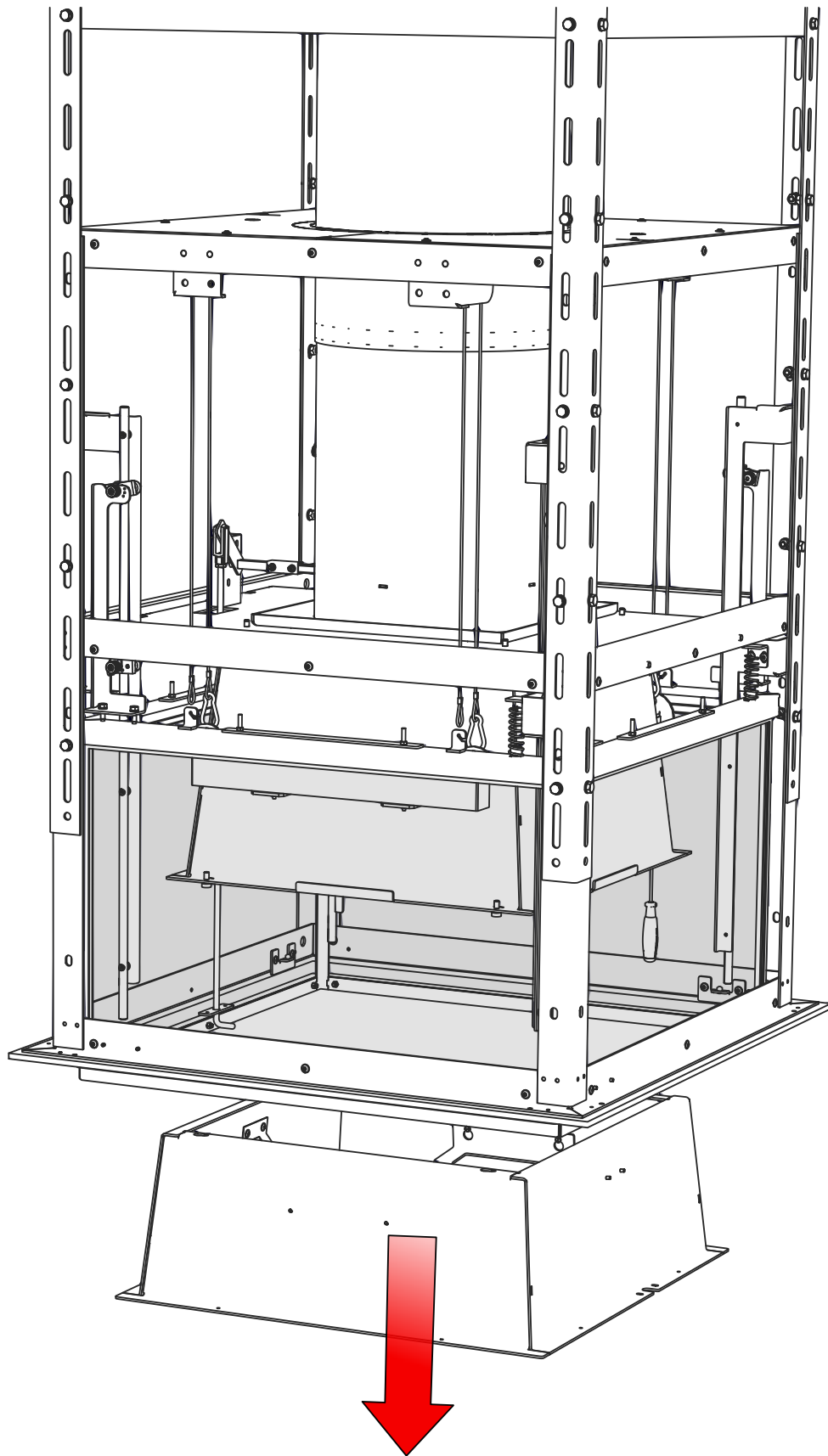
## 6 INSTALLATION

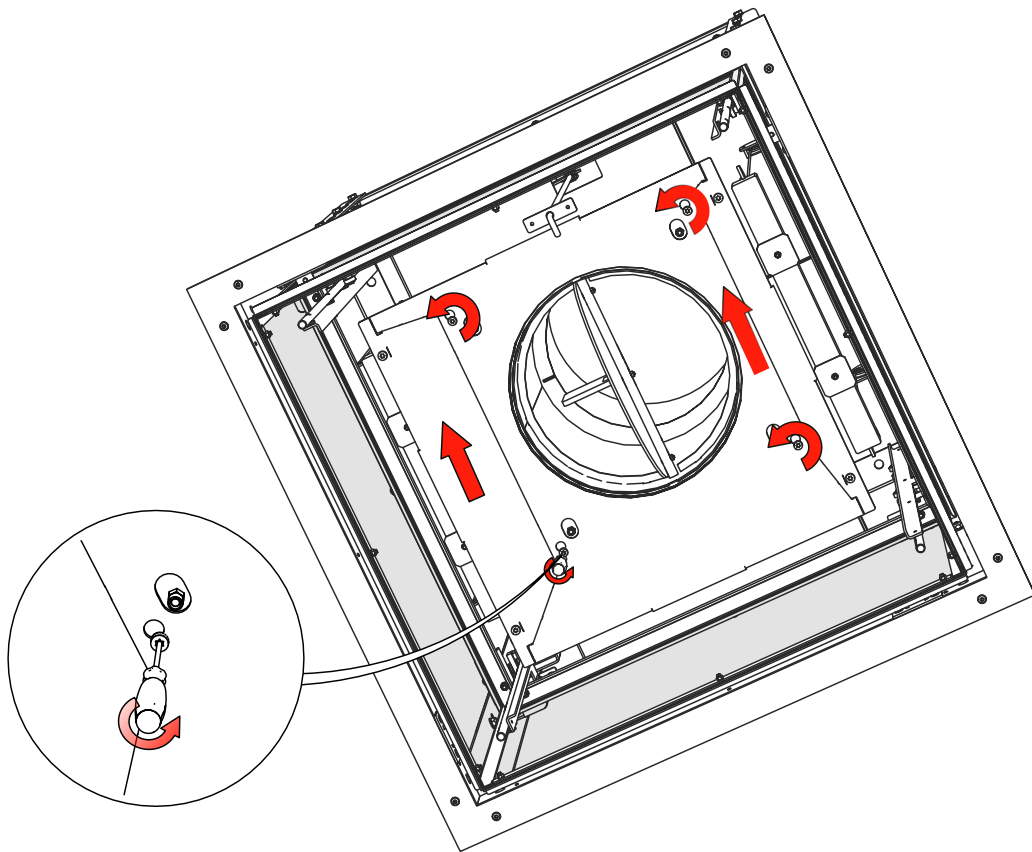
### 6.1 OPTIONAL - REMOVE THE EXHAUST COLLECTOR

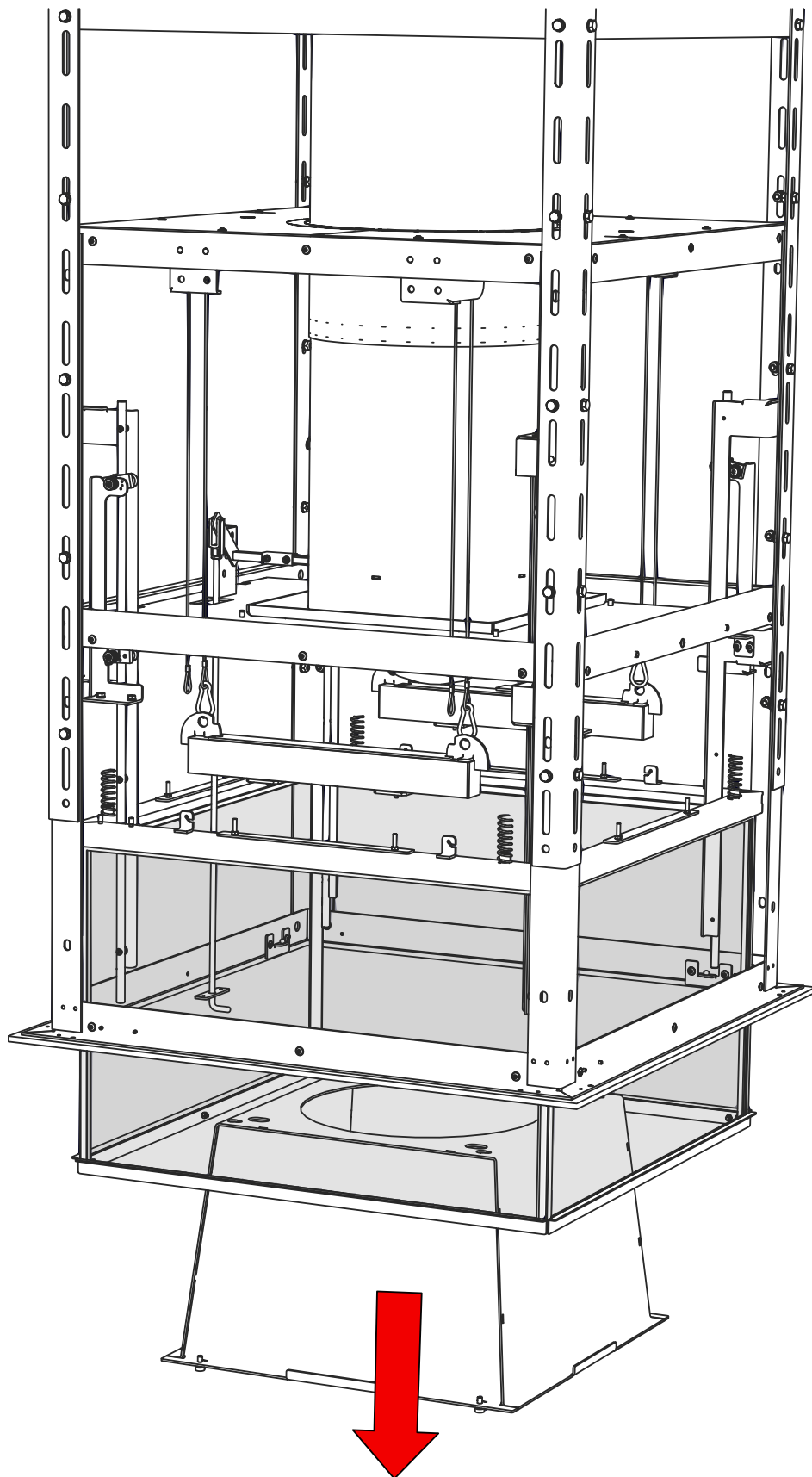
For easier assembly you can remove temporarily the exhaust collector.







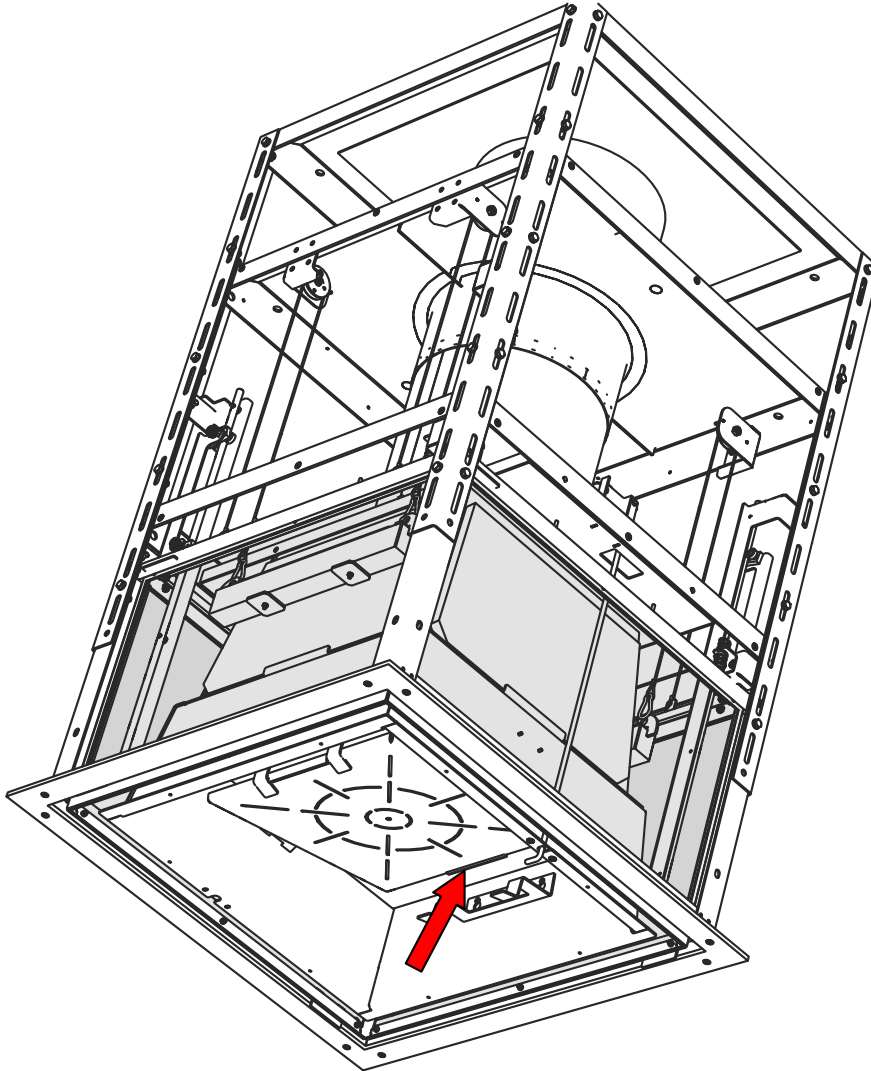


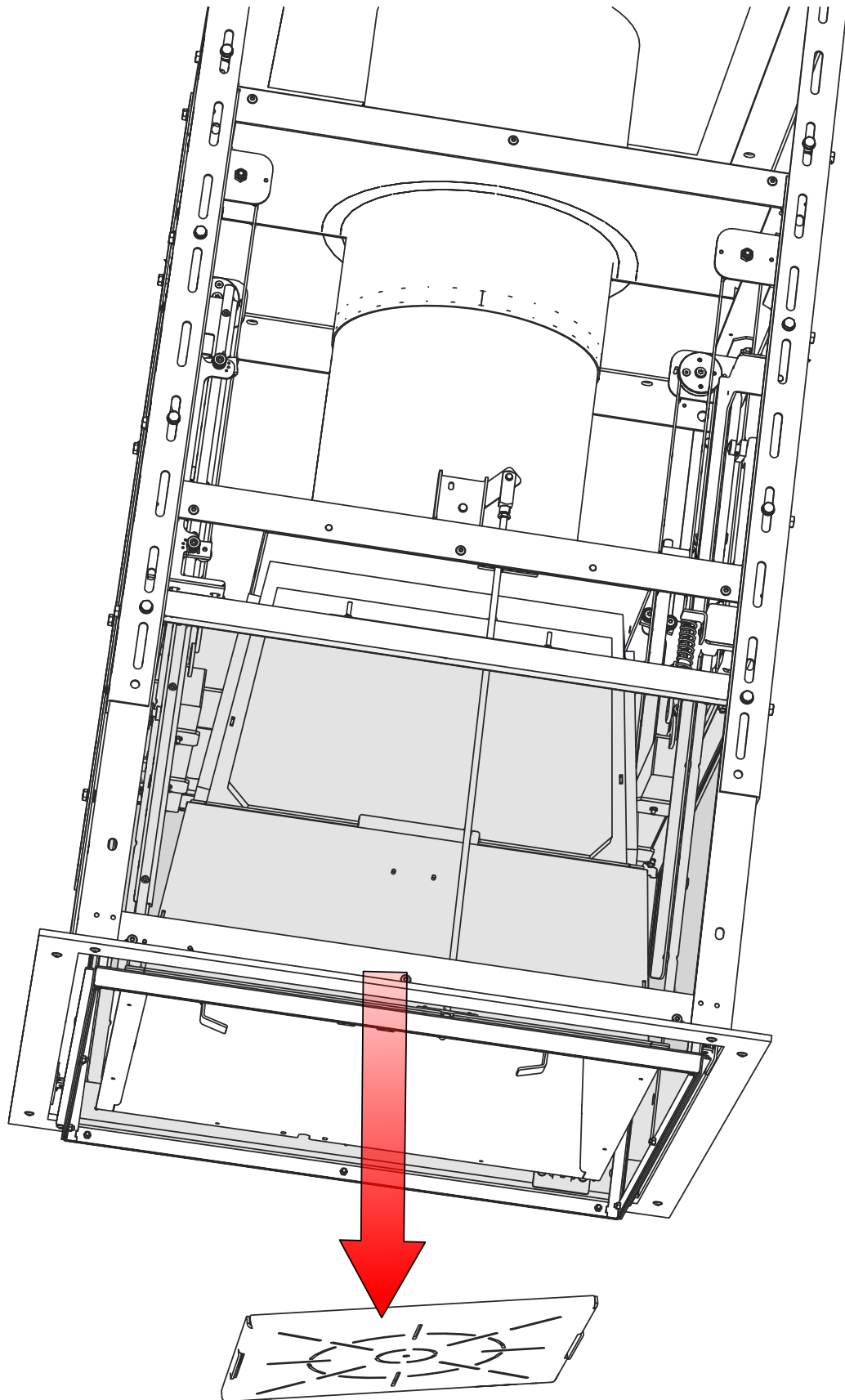


Once the 4free has been installed, the exhaust collector can be reassembled. To do this, follow the pictures in descending order.

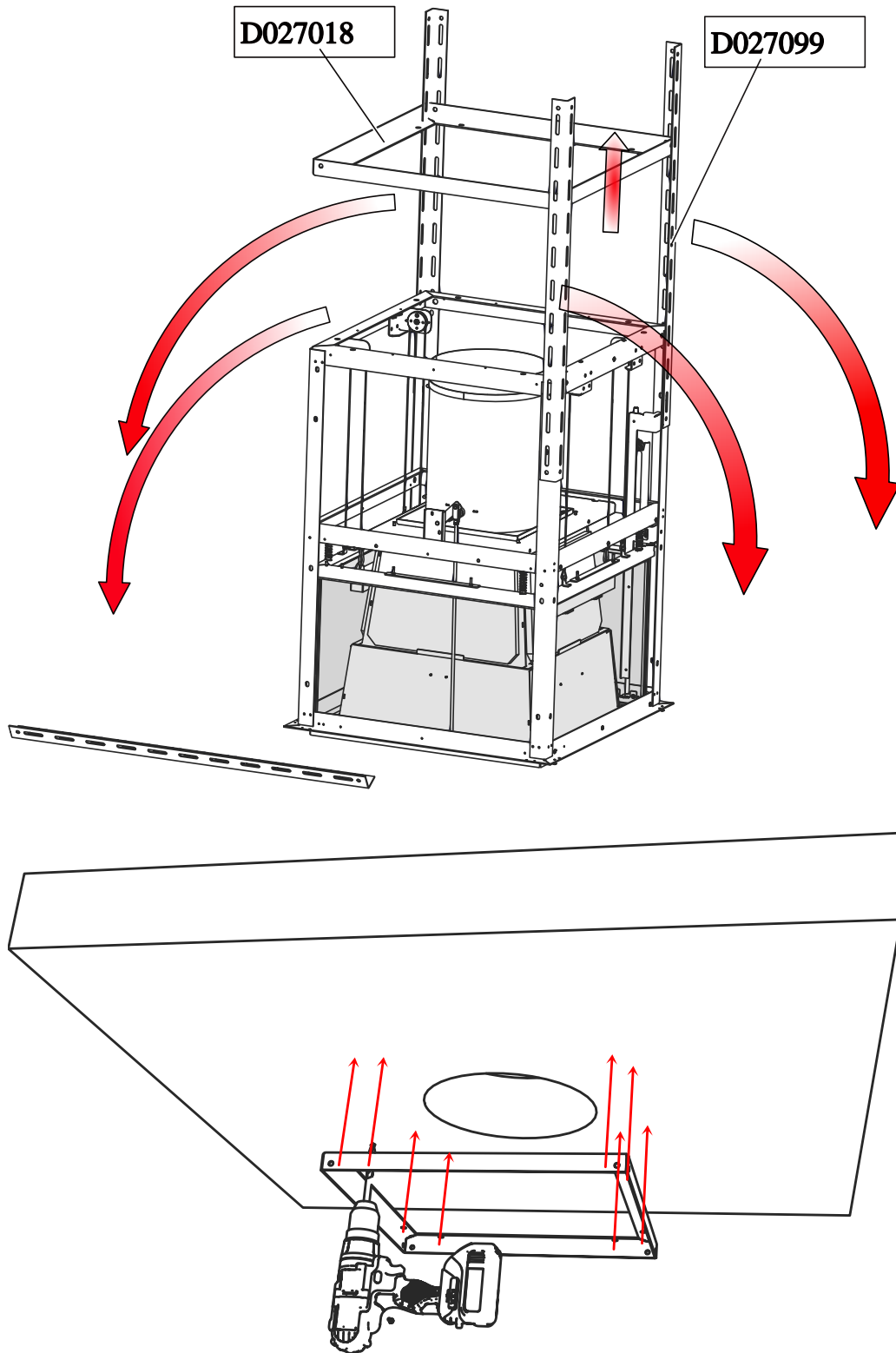
## 6.2 REMOVE THE DEFLECTOR PLATE

Please remove the deflector plate before installing the Urfeuer 4free.

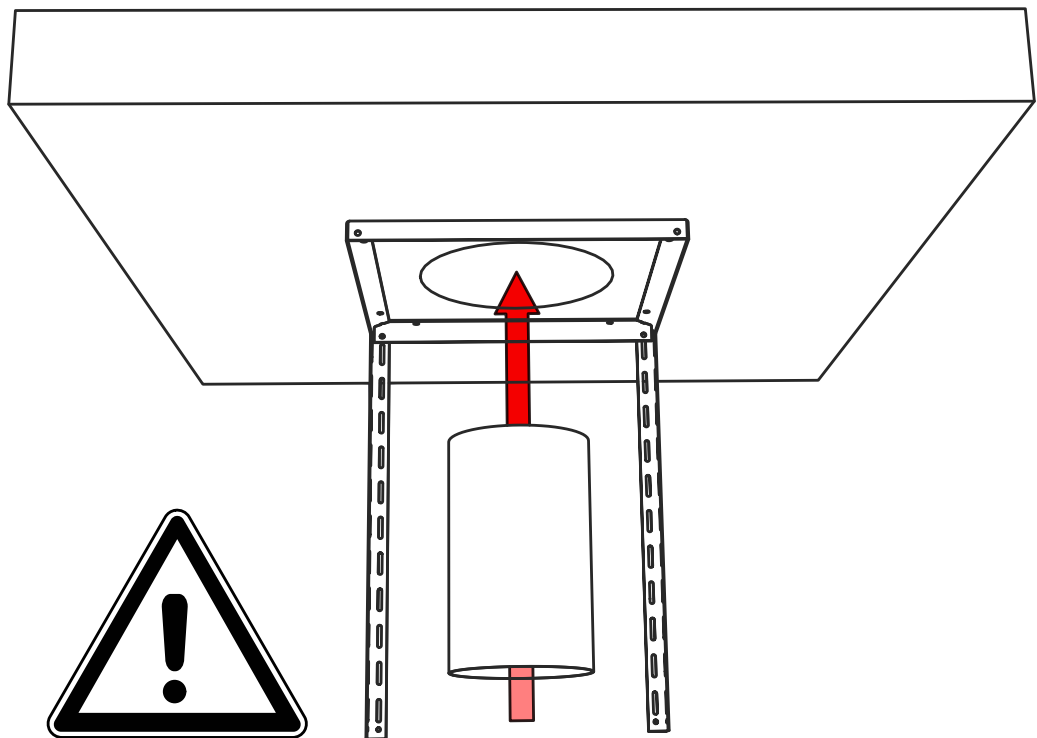
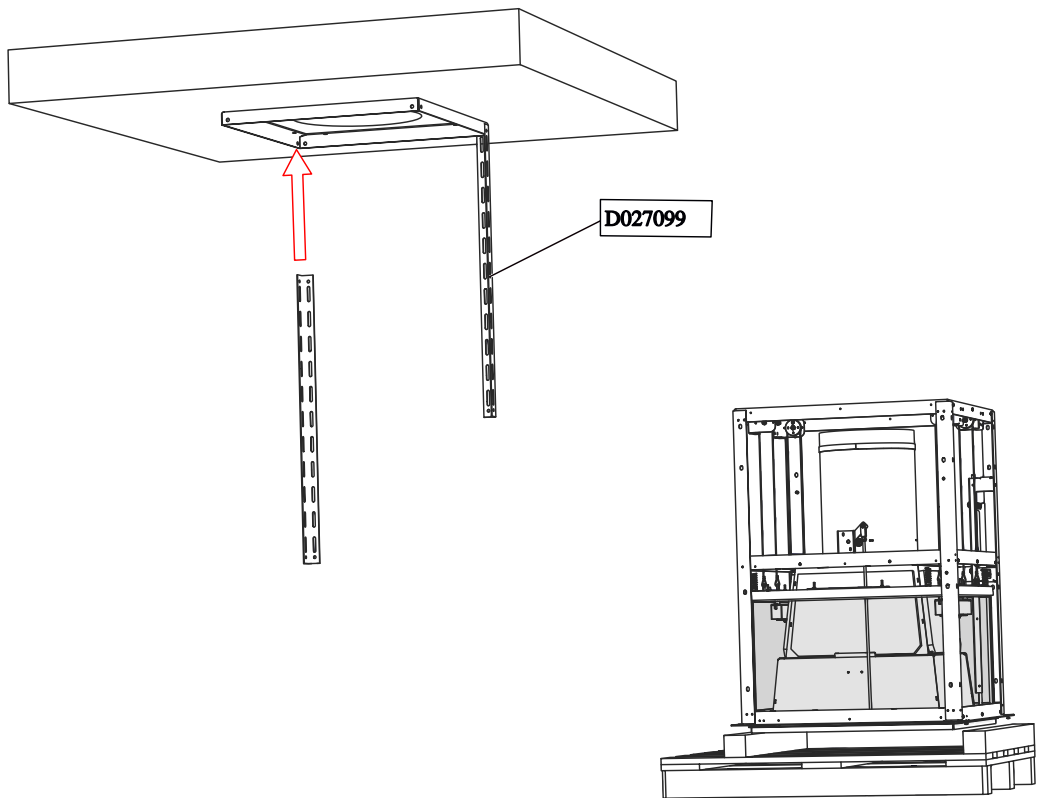


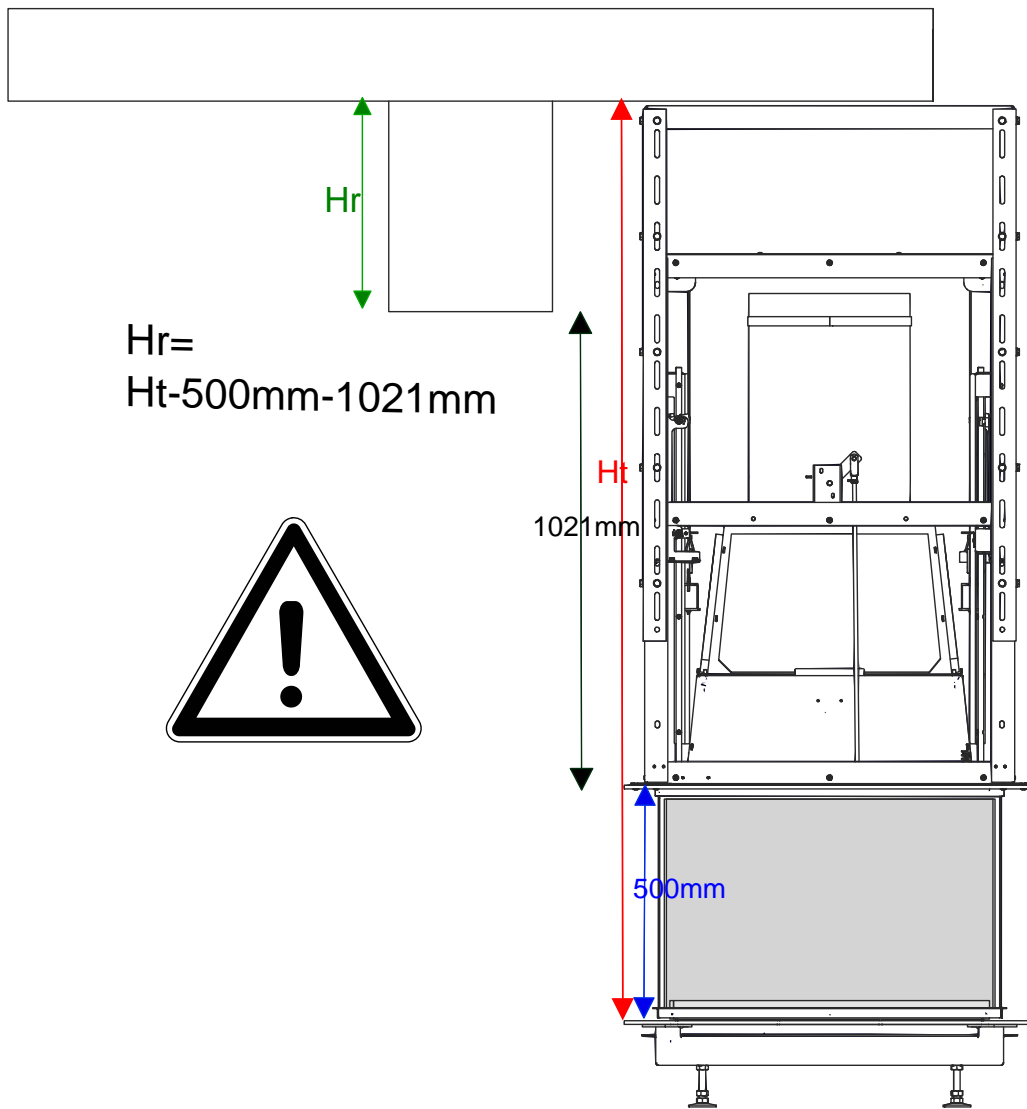


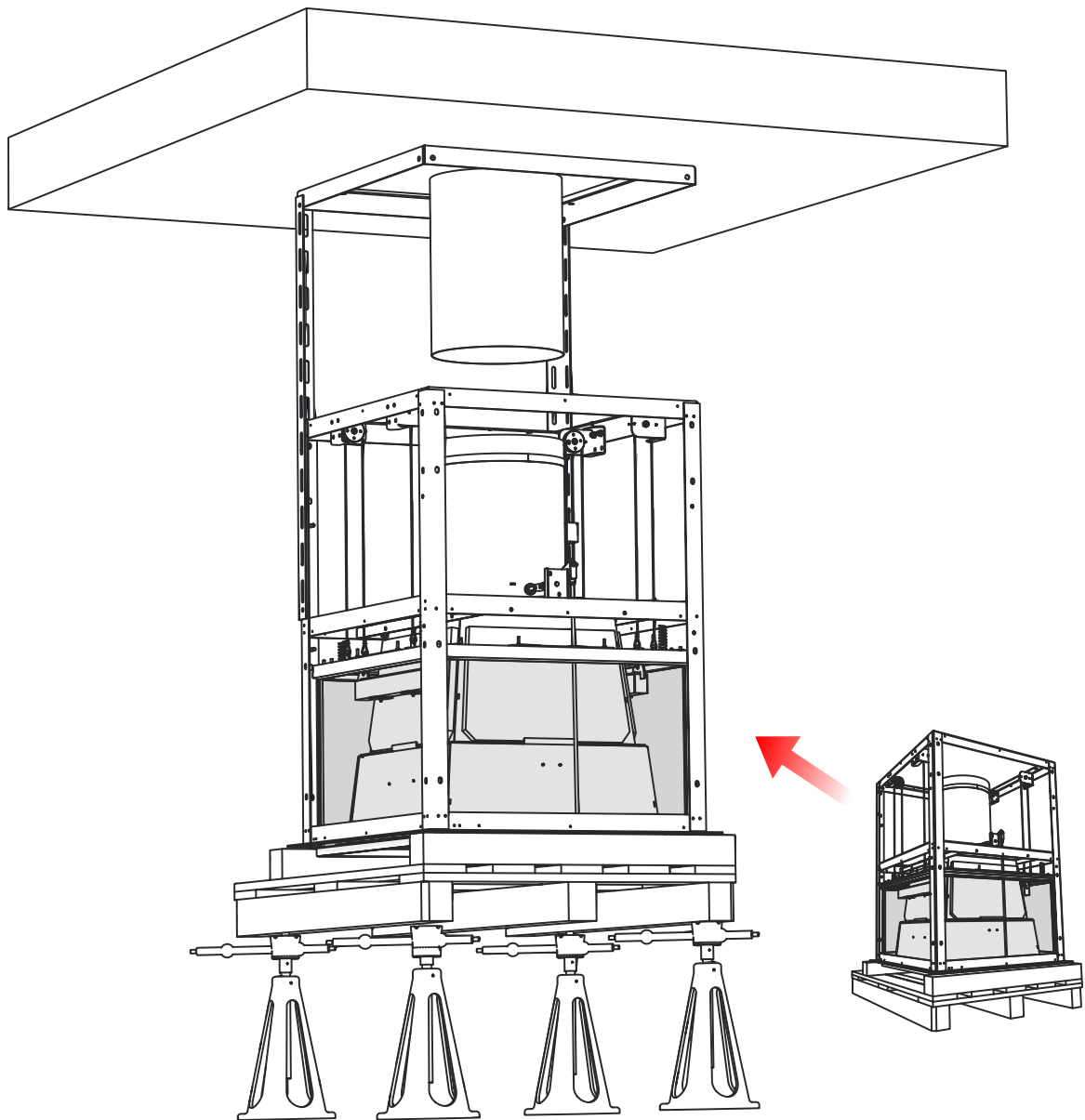
## 6.3 INSTALLATION

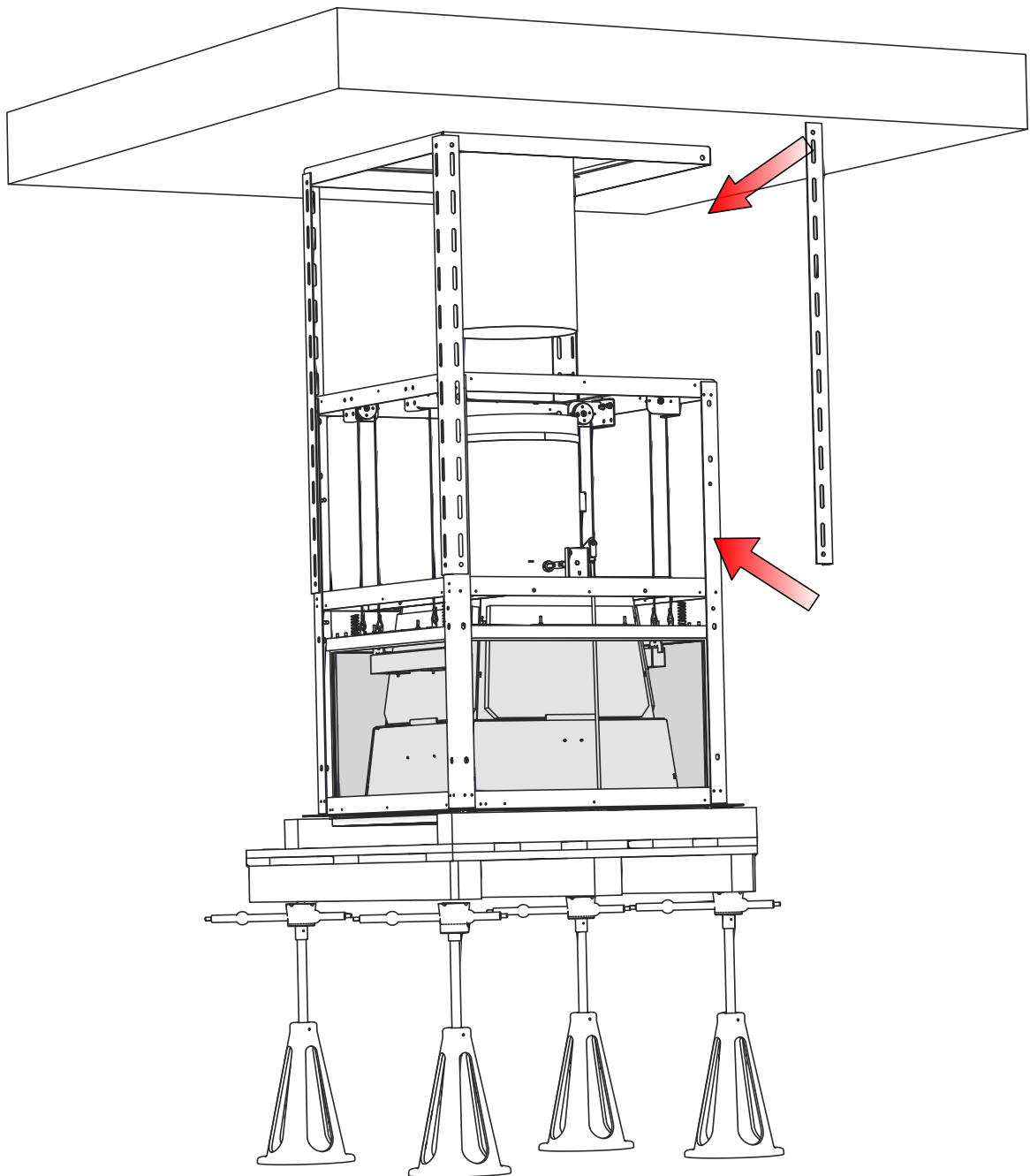


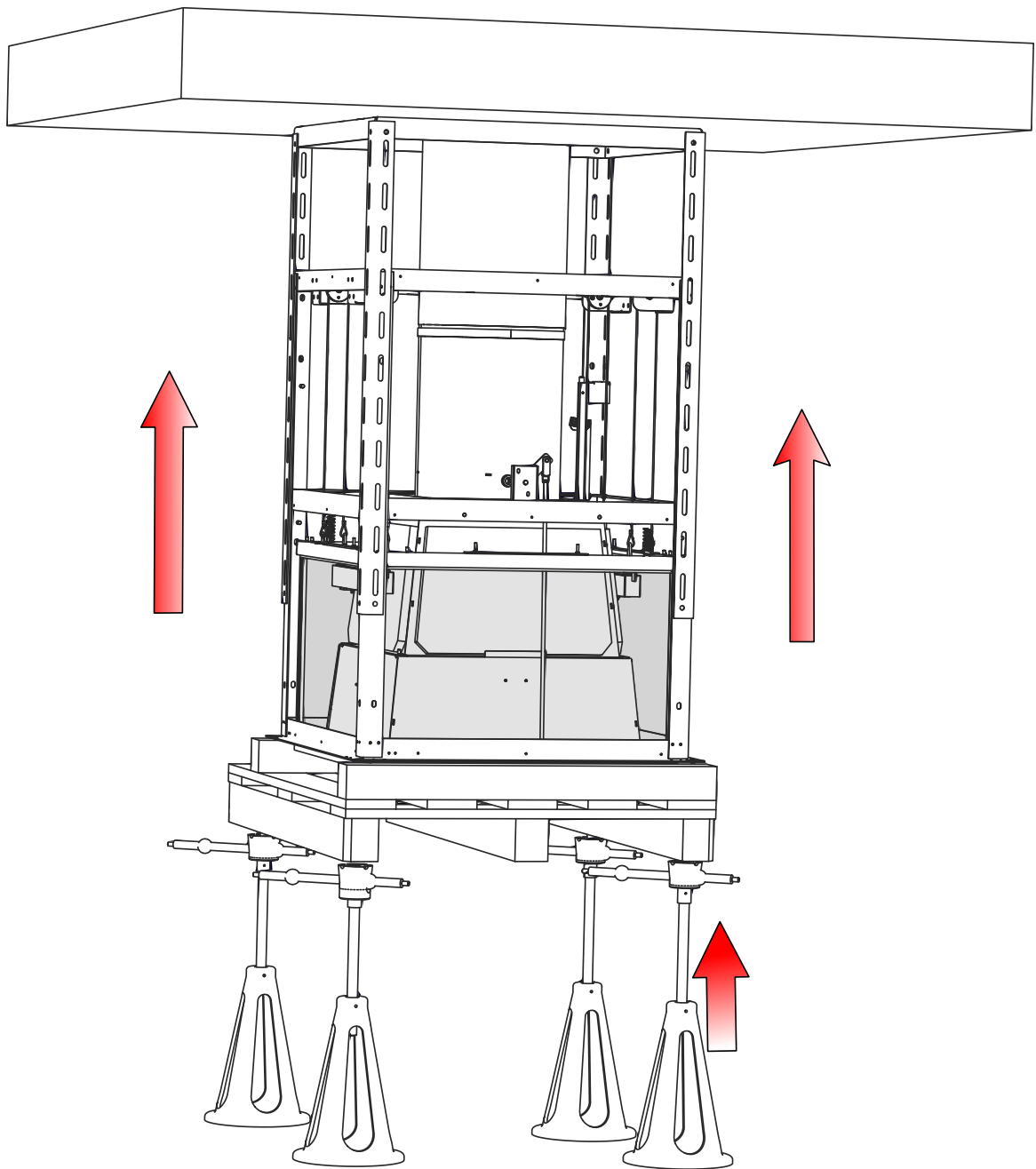


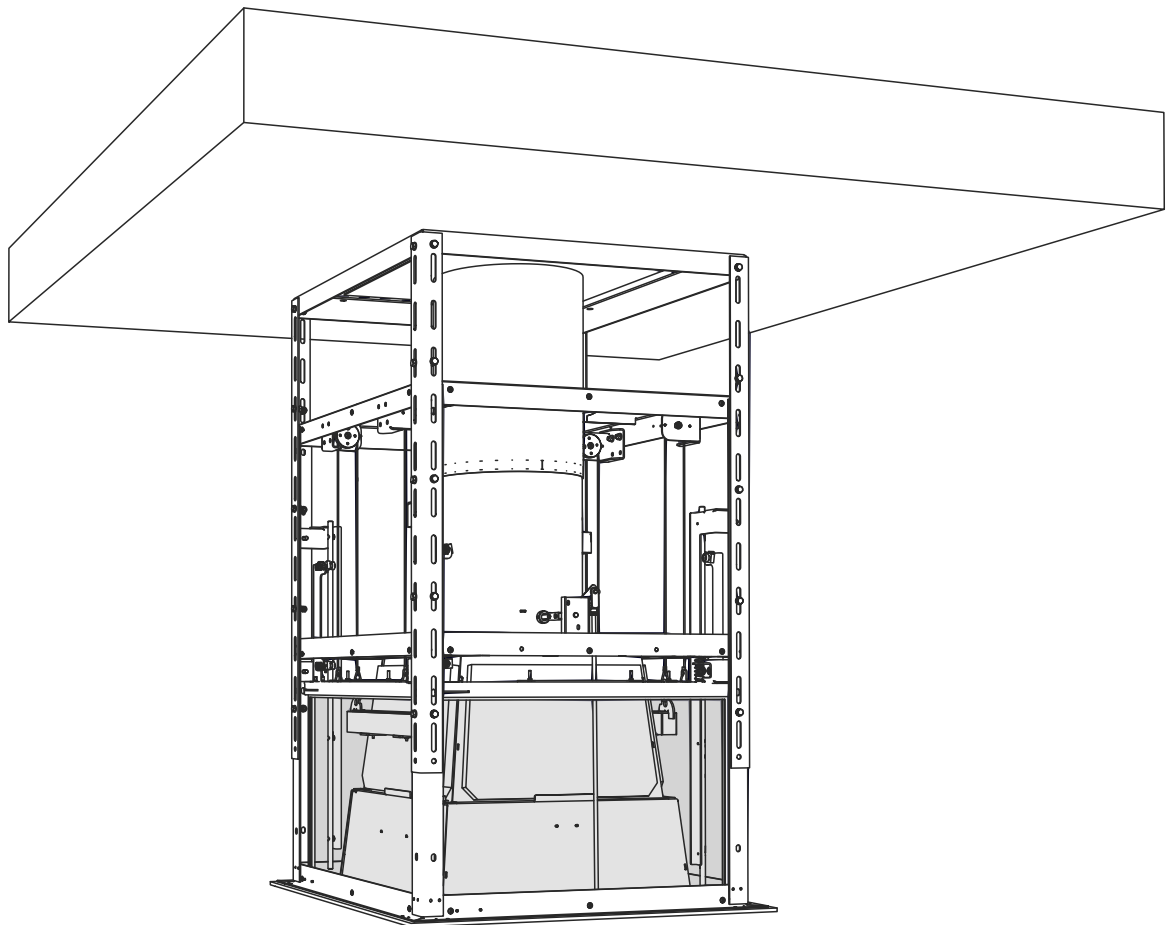
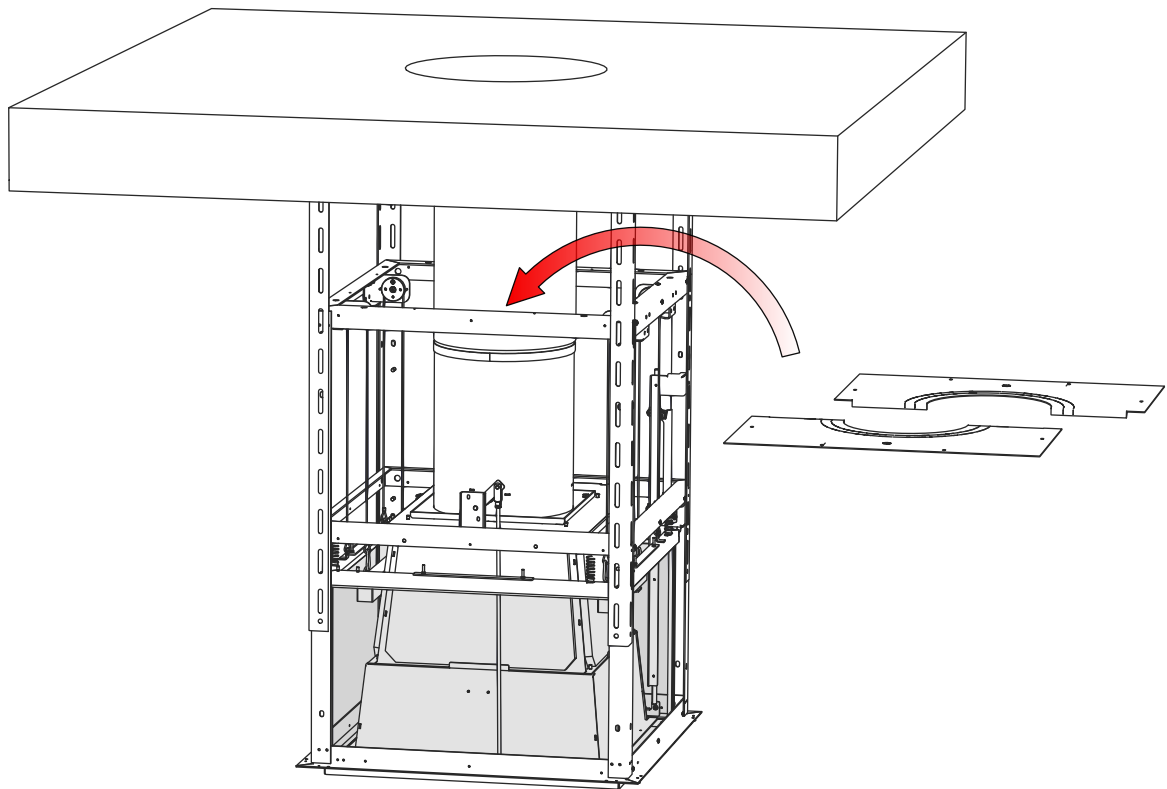


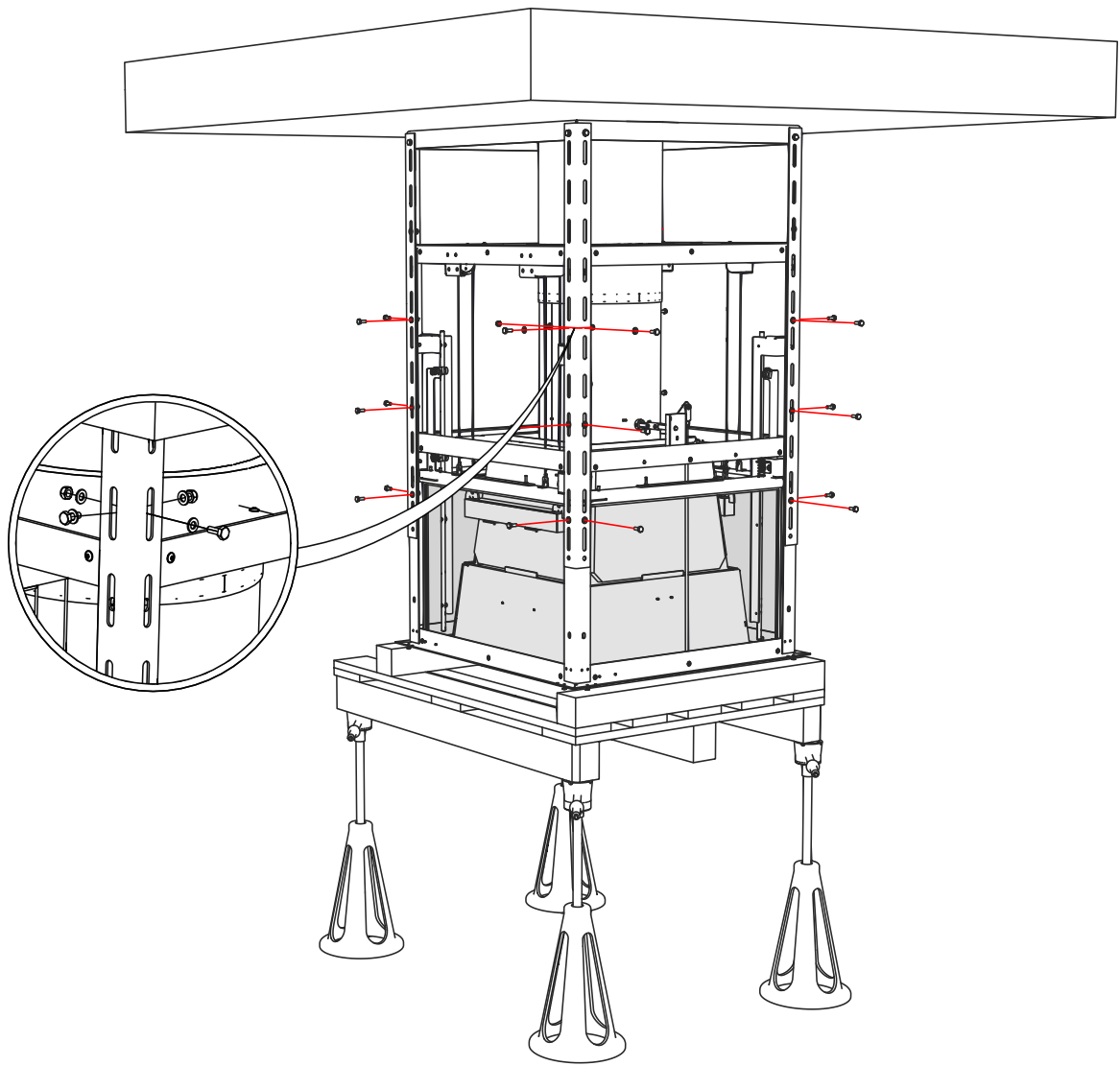


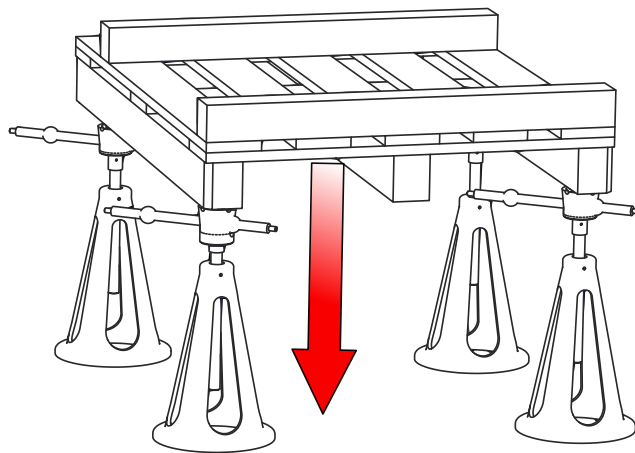
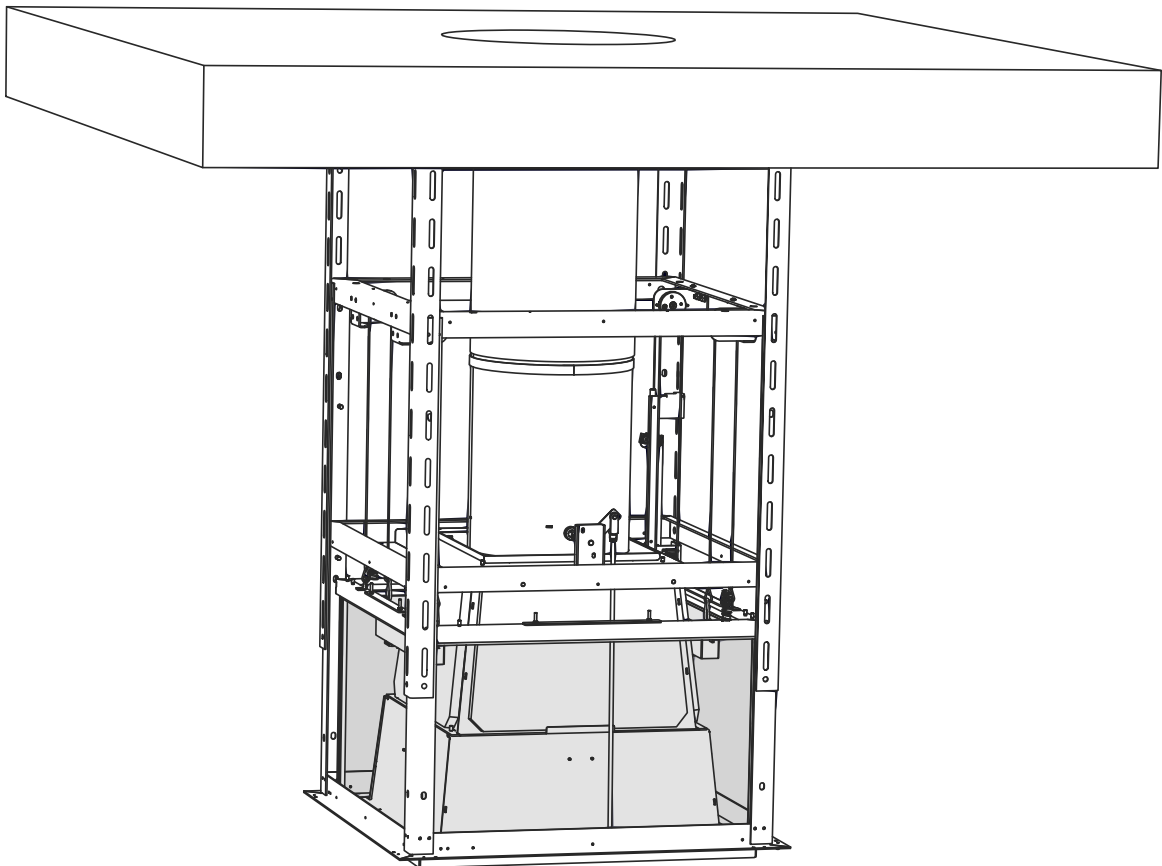




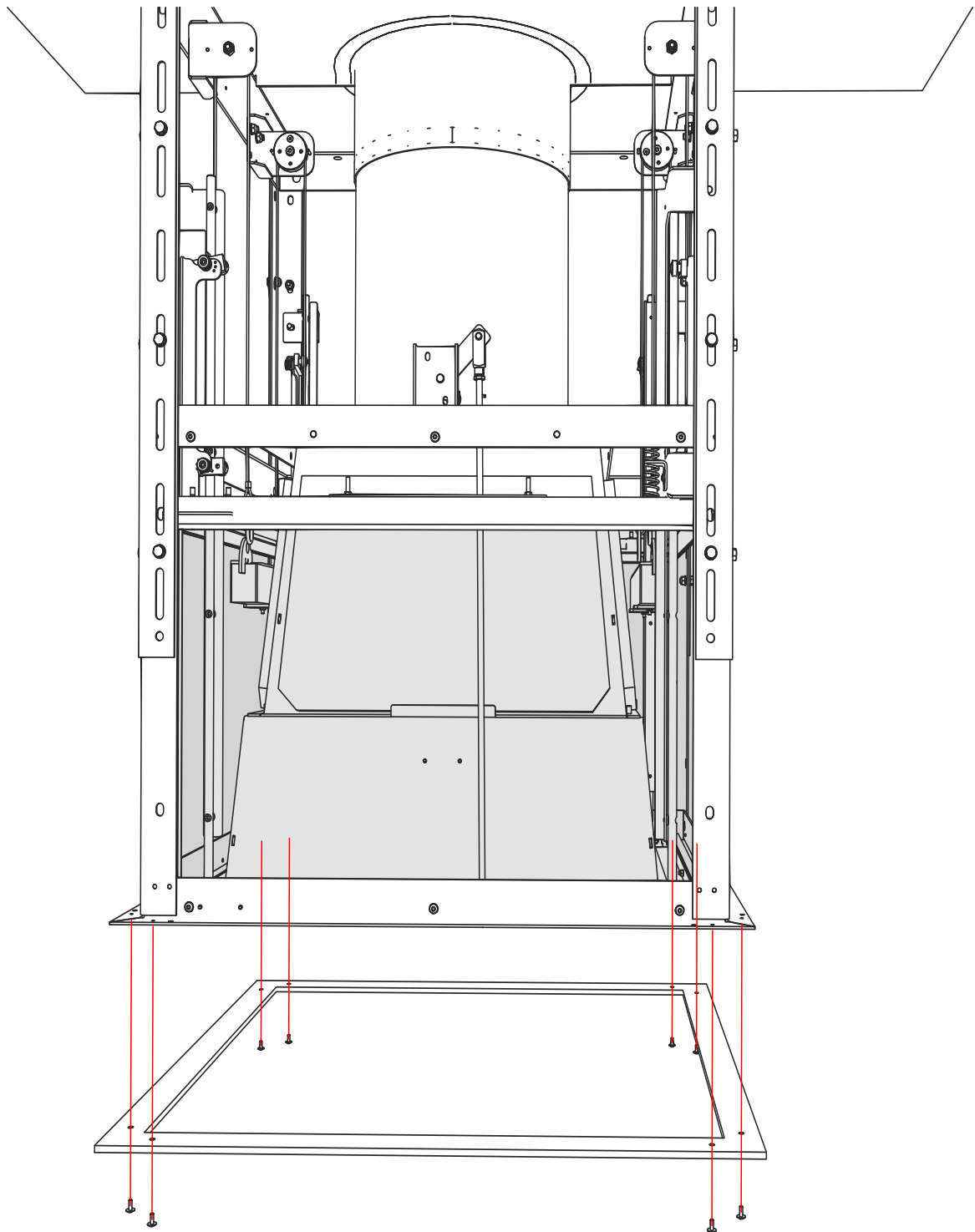


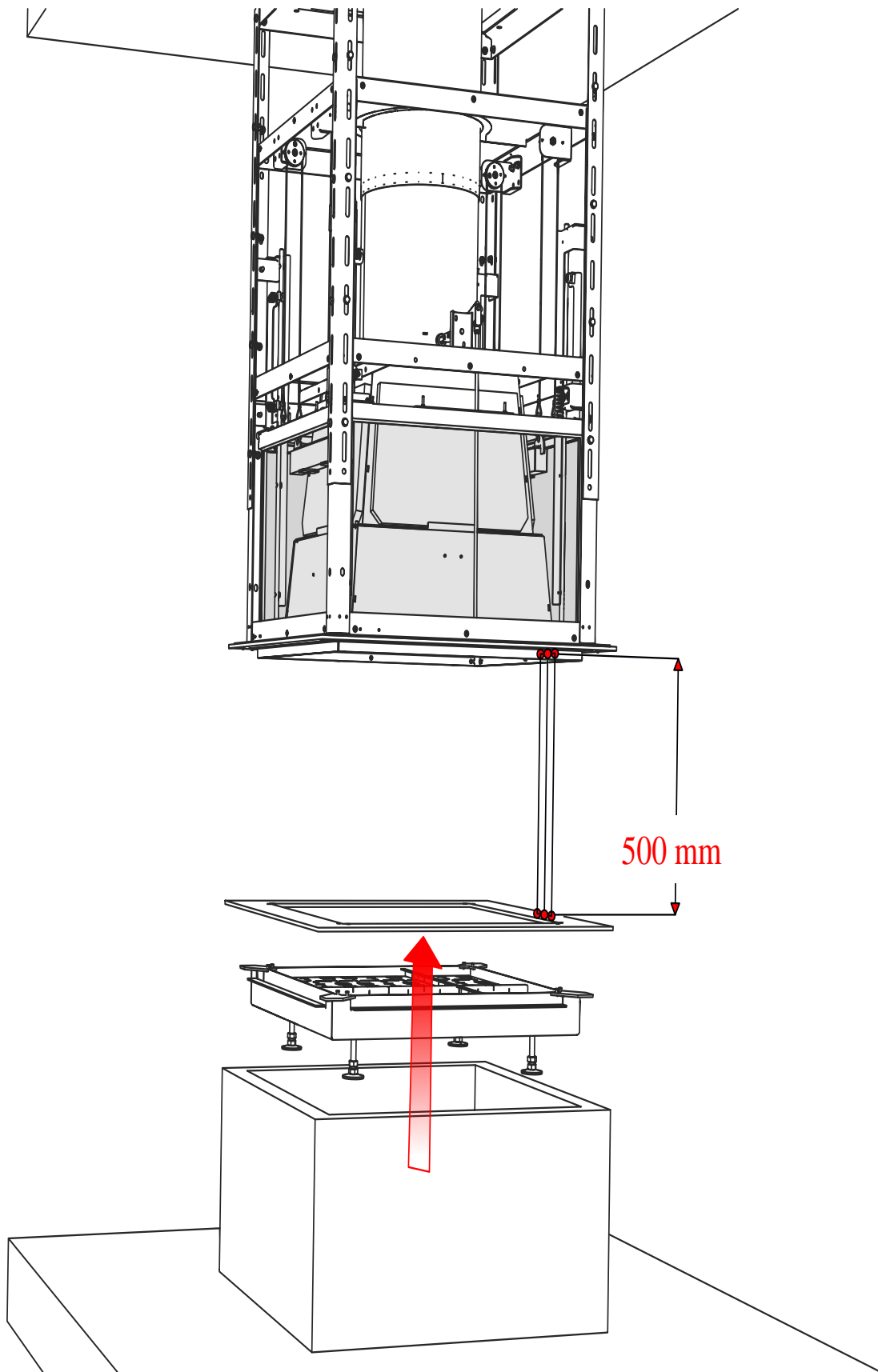


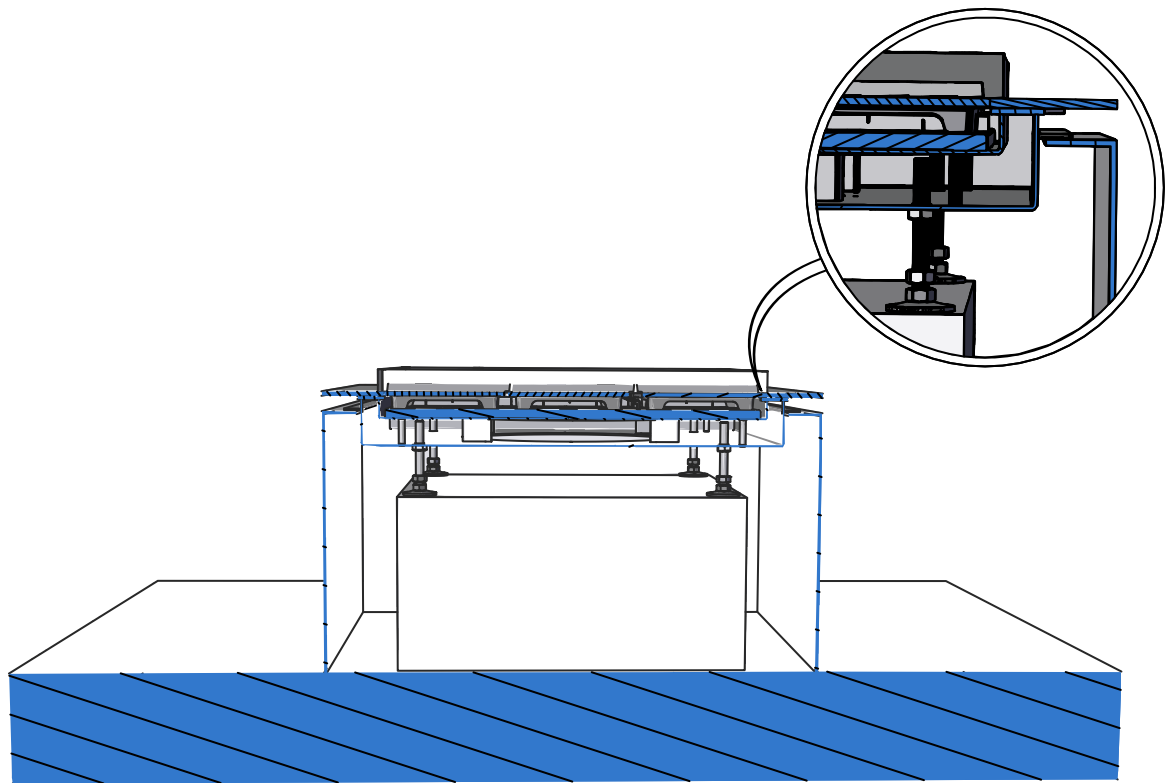




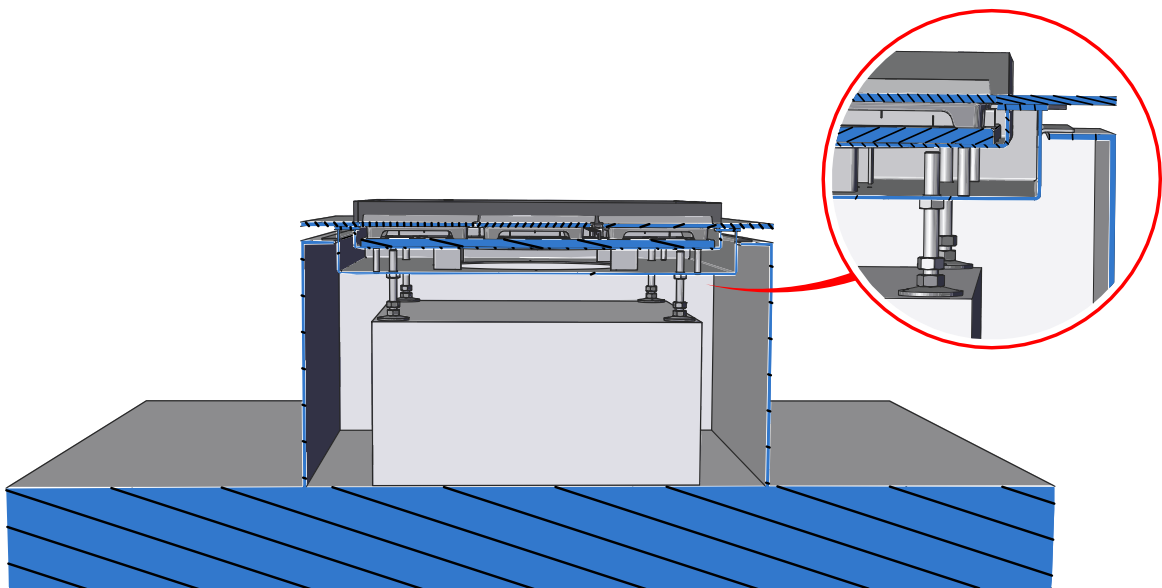




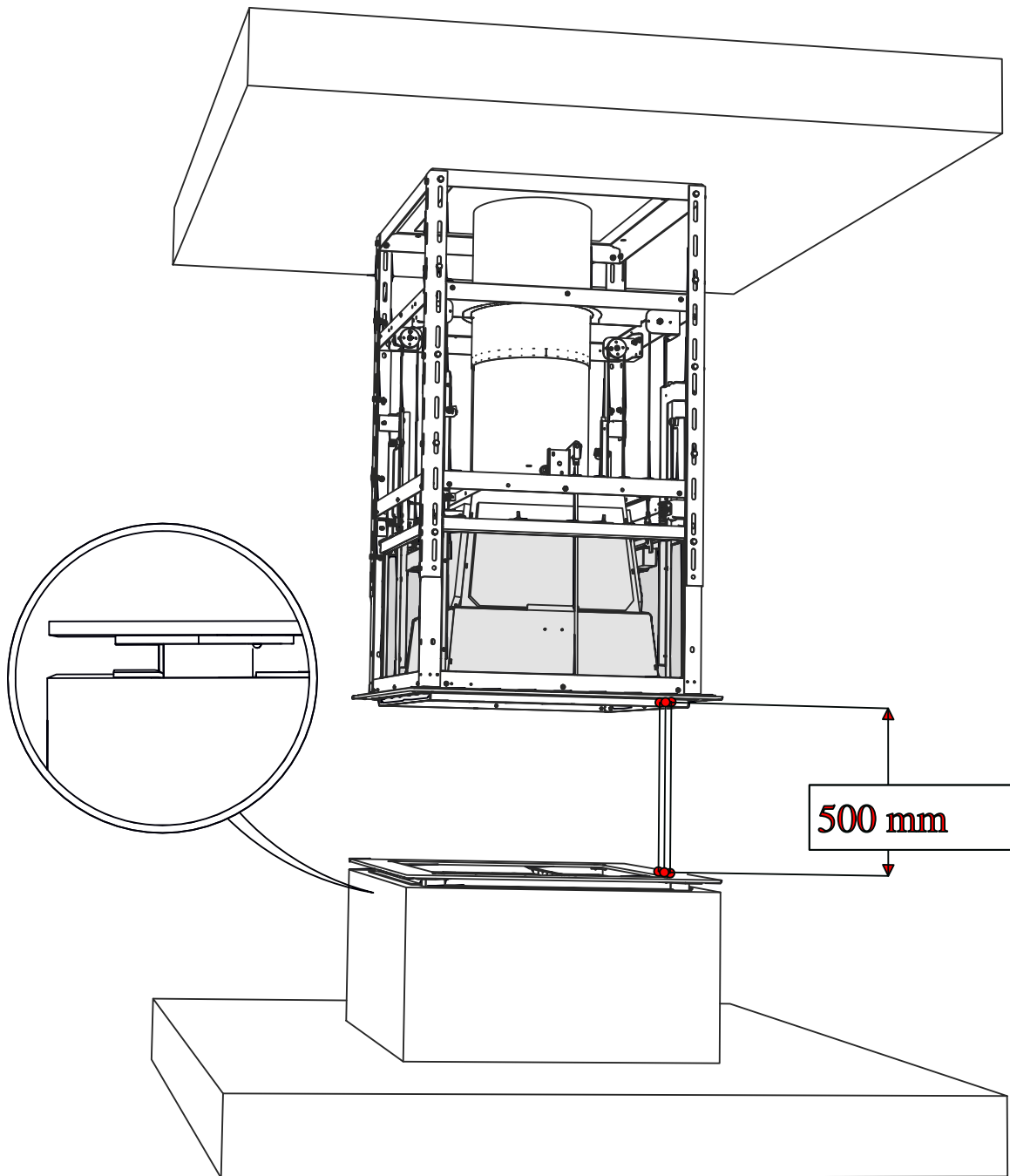




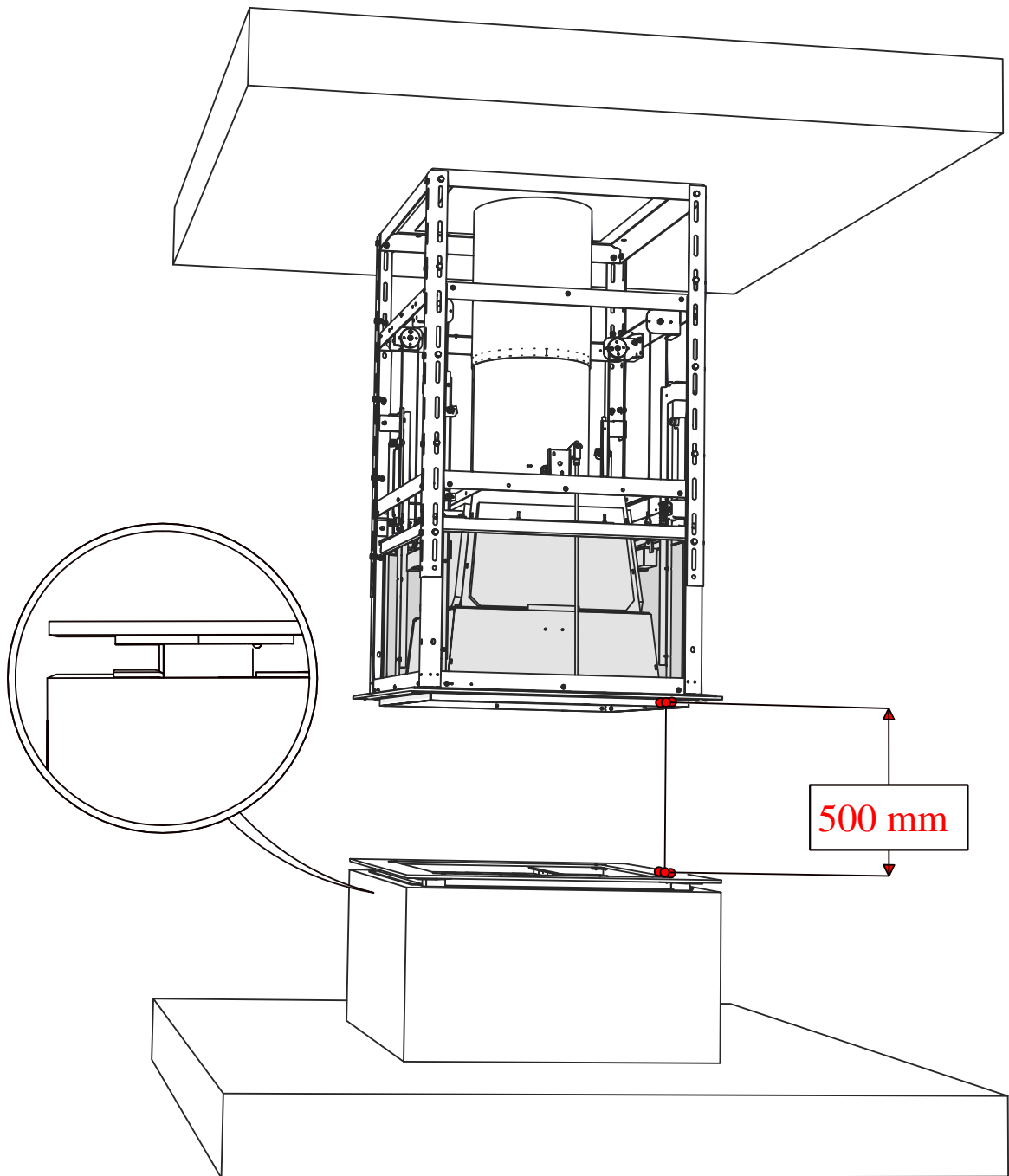
*Im.: Bottom - Version 1*



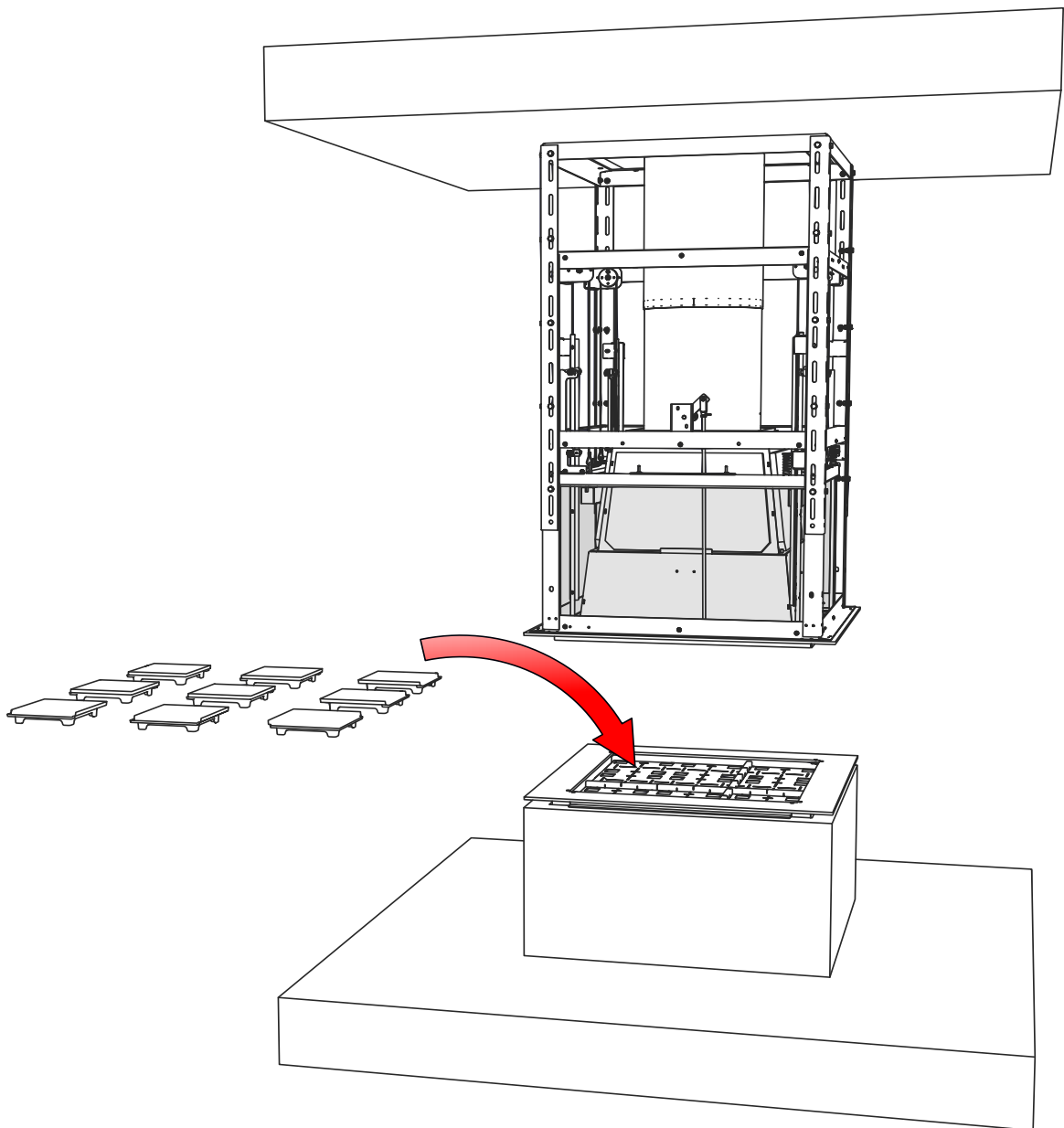
*Im.: Boden - Möglichkeit 2*

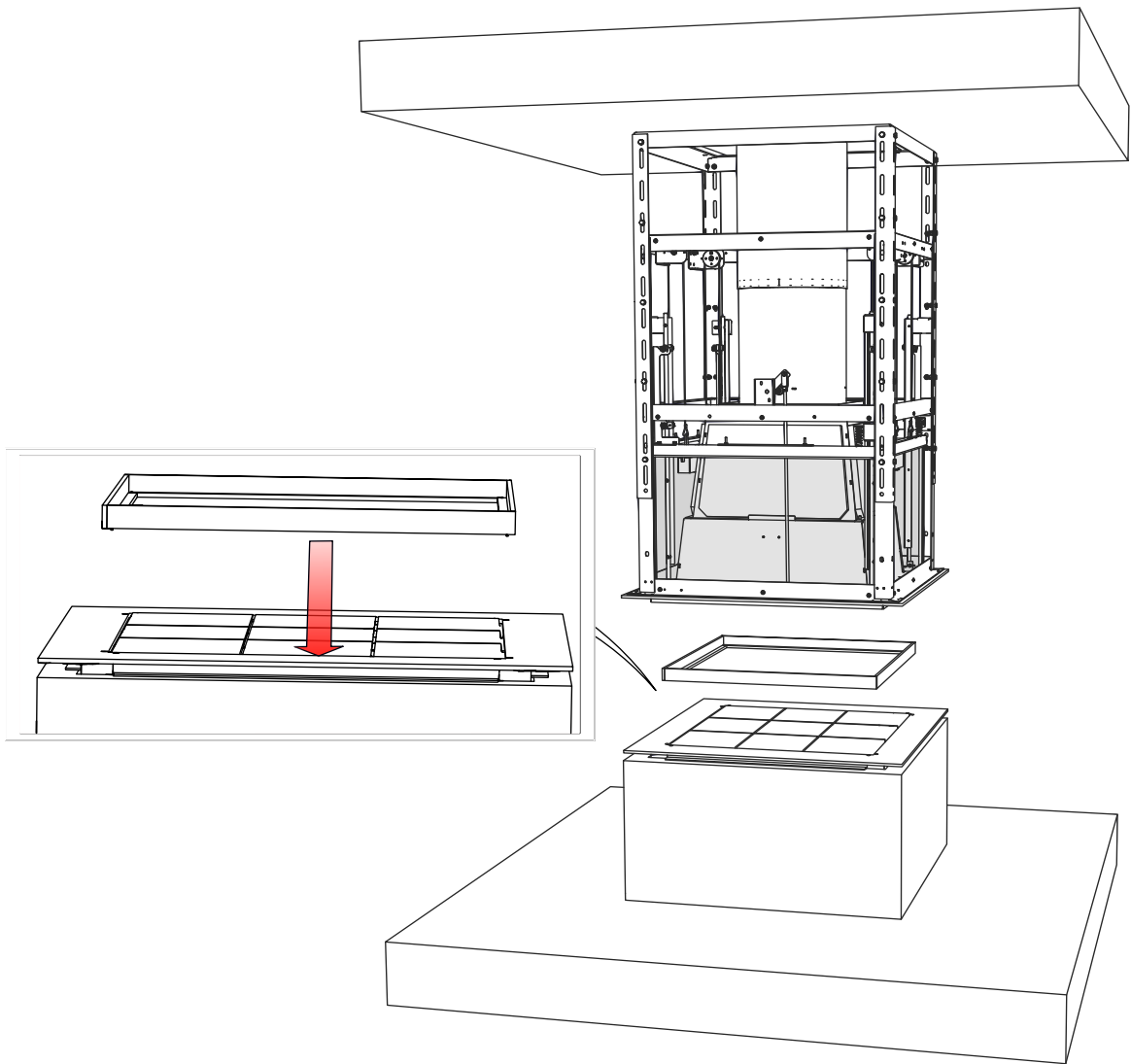


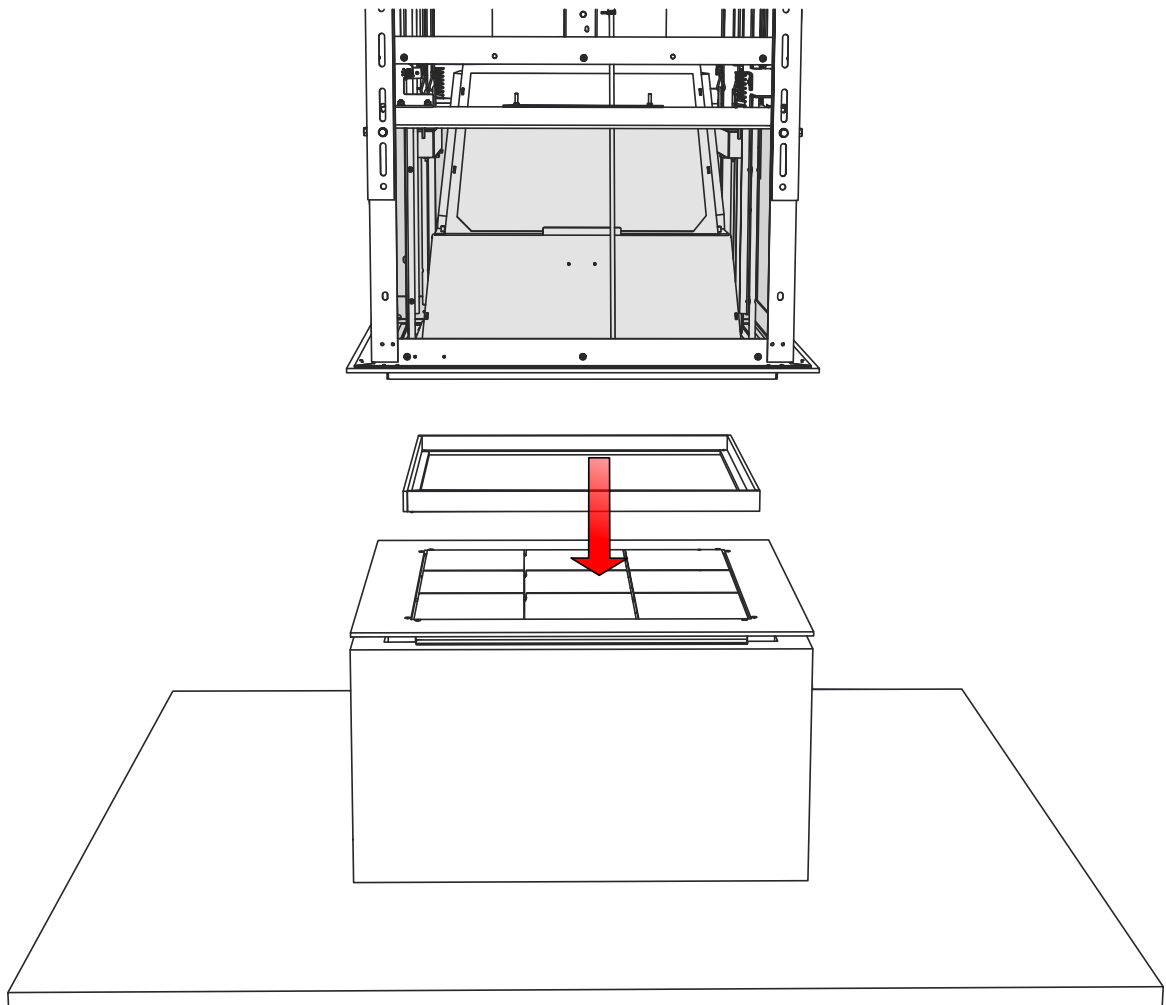
*Im.: Ceiling - option 1*



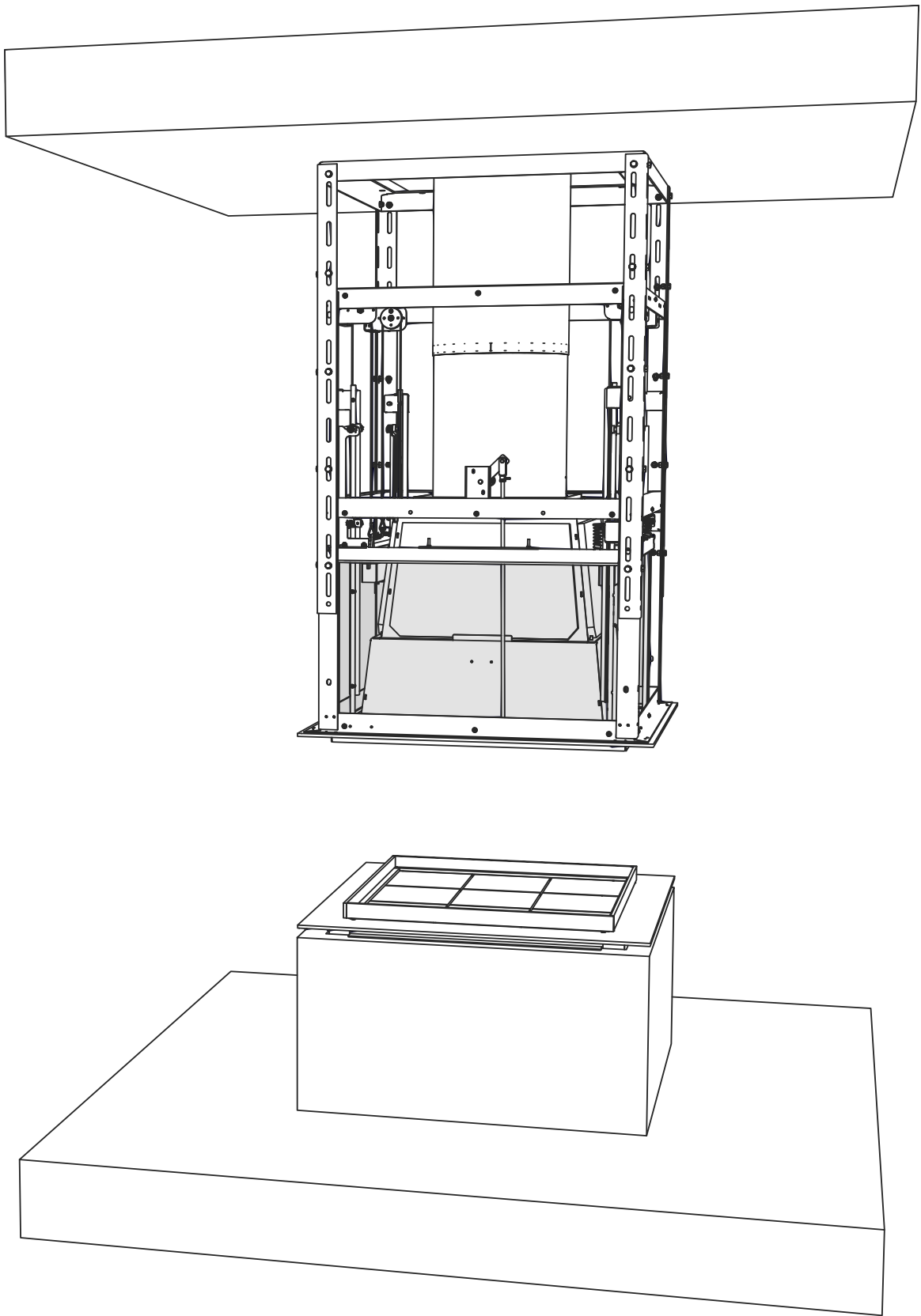
*Im.: Ceiling - option 2*

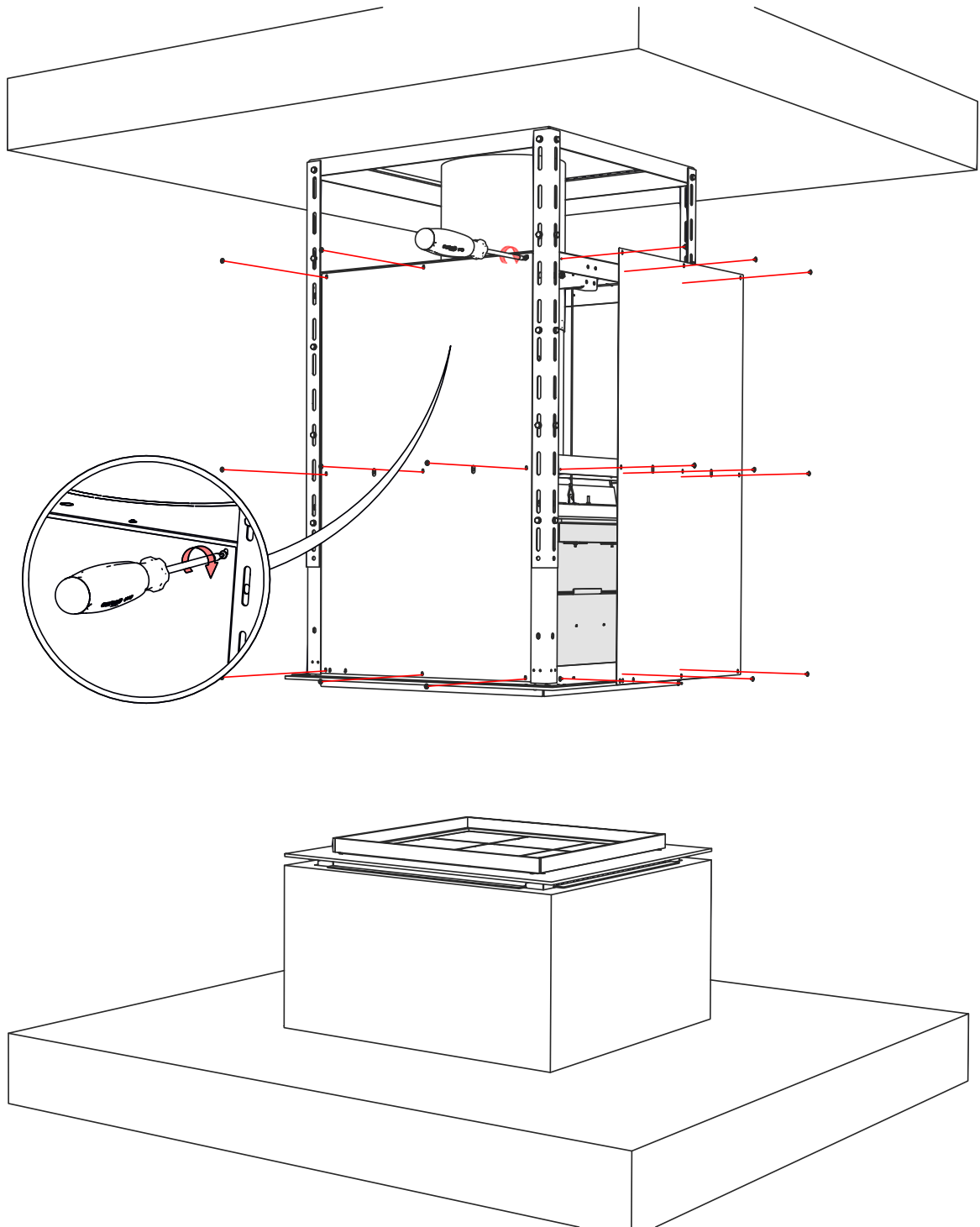


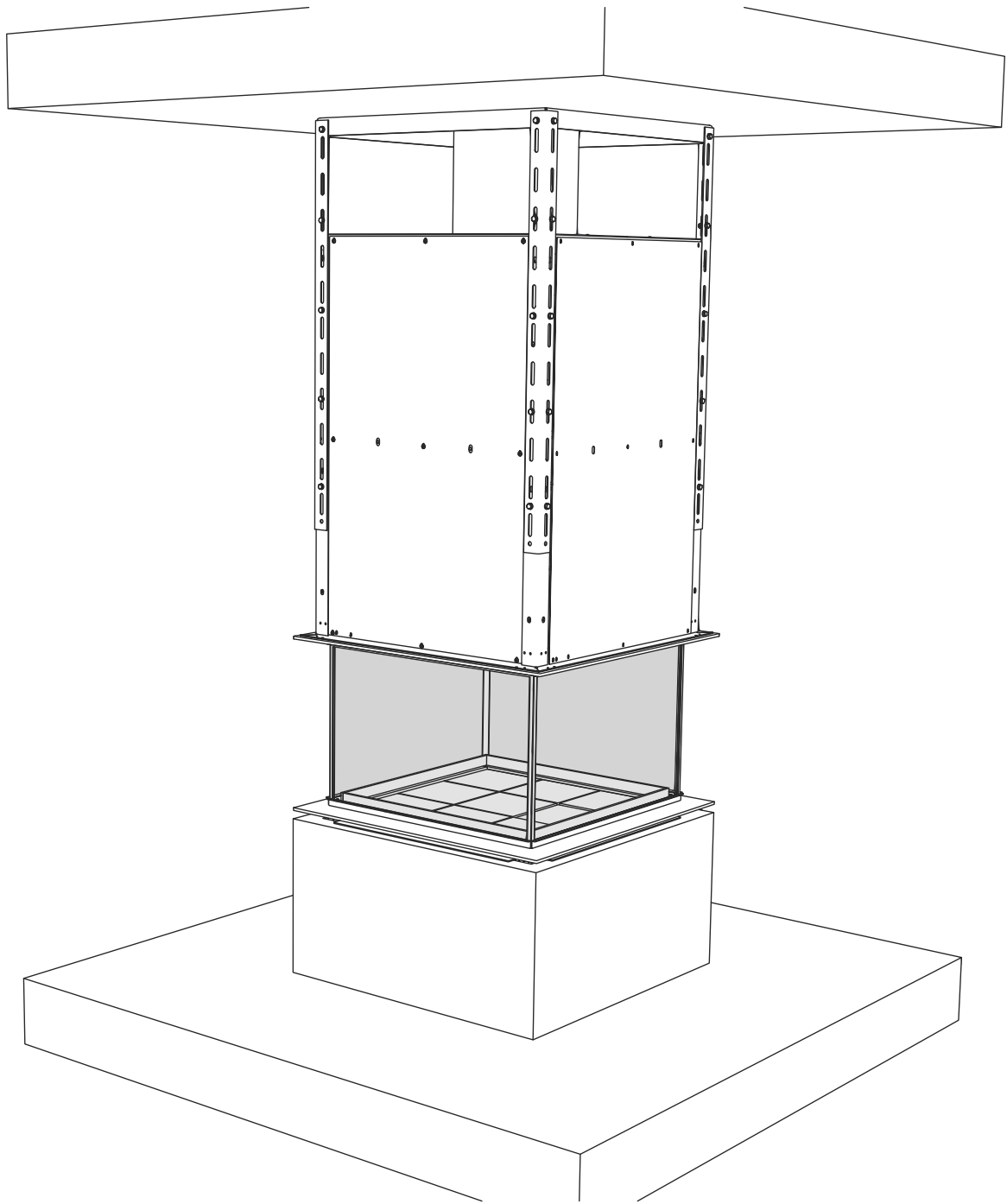






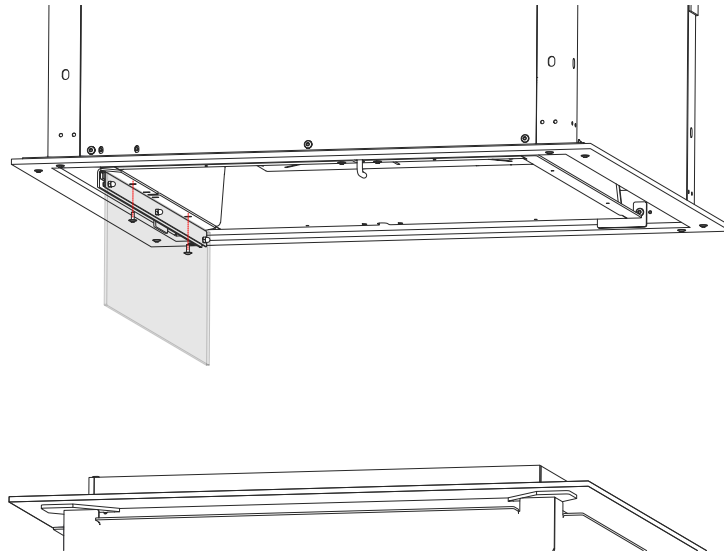




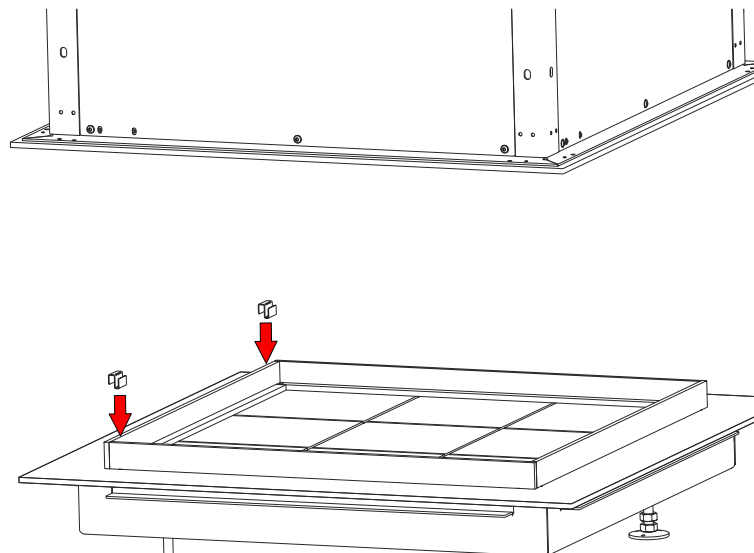


## 7 OPTIONS

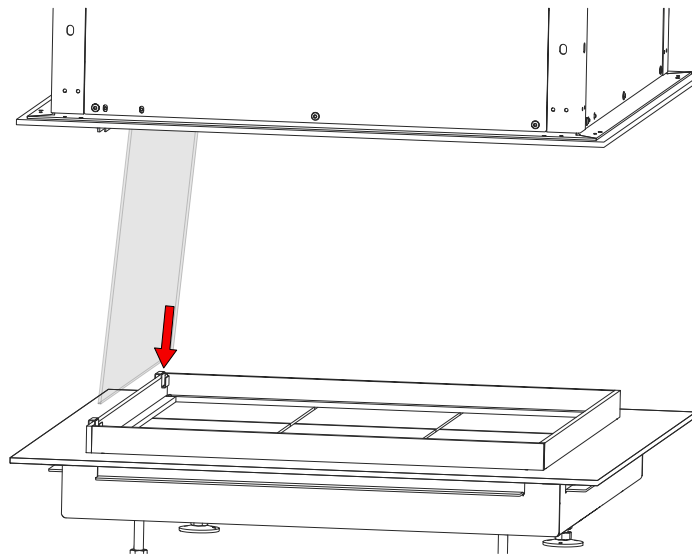
### Installation of the short smoke glass protection



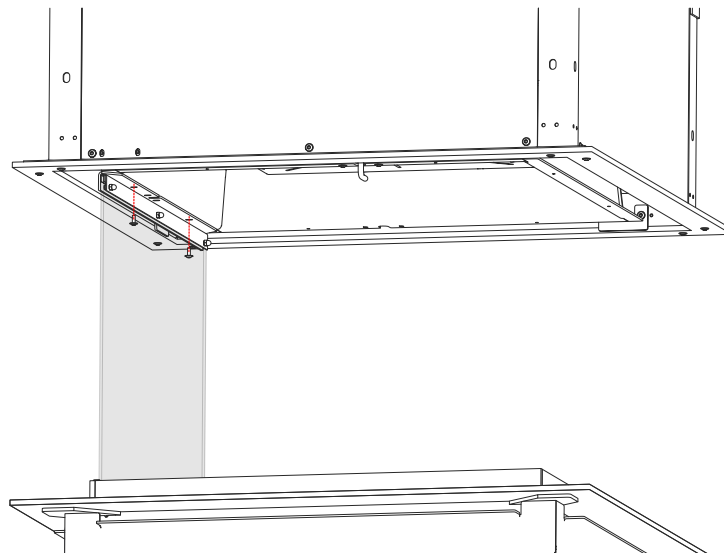
### Installation of the long smoke glass protection



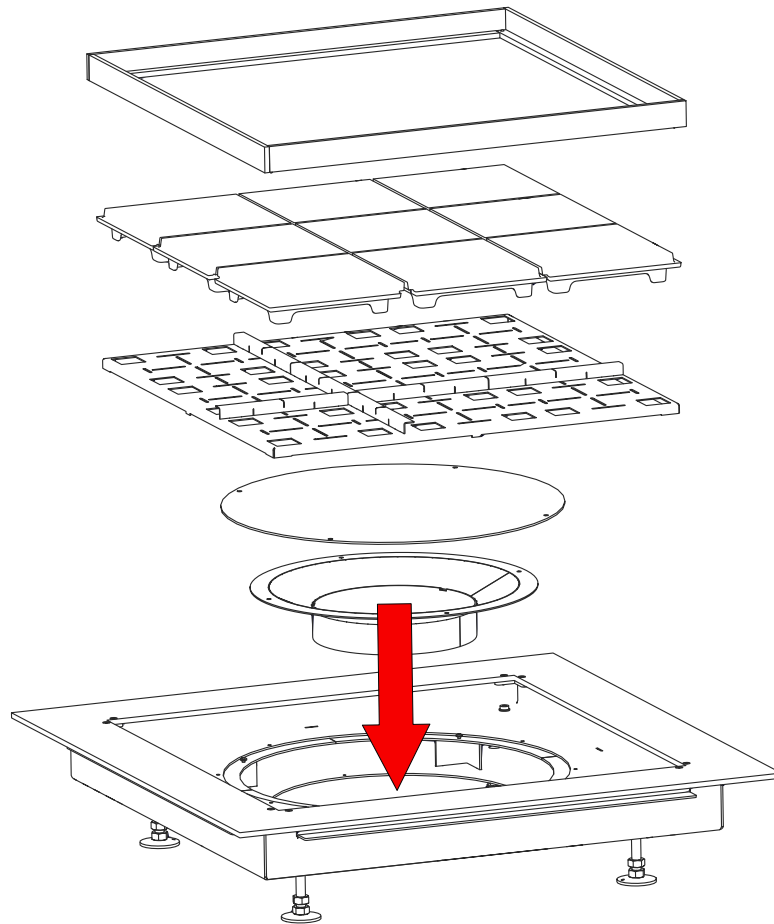
*Im. 1: Set in the clamps*



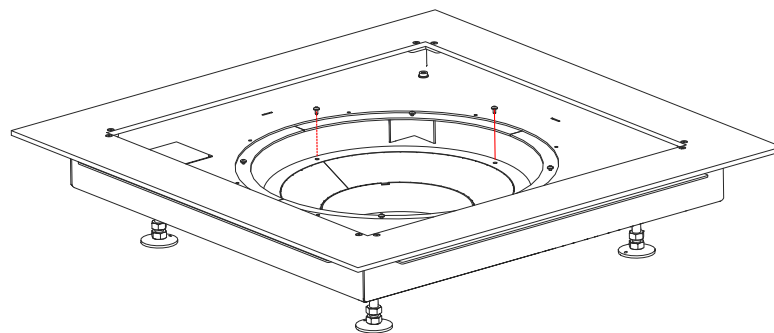
*Im. 2: Set in the glass pane*



*Im. 3: Fix the screws*

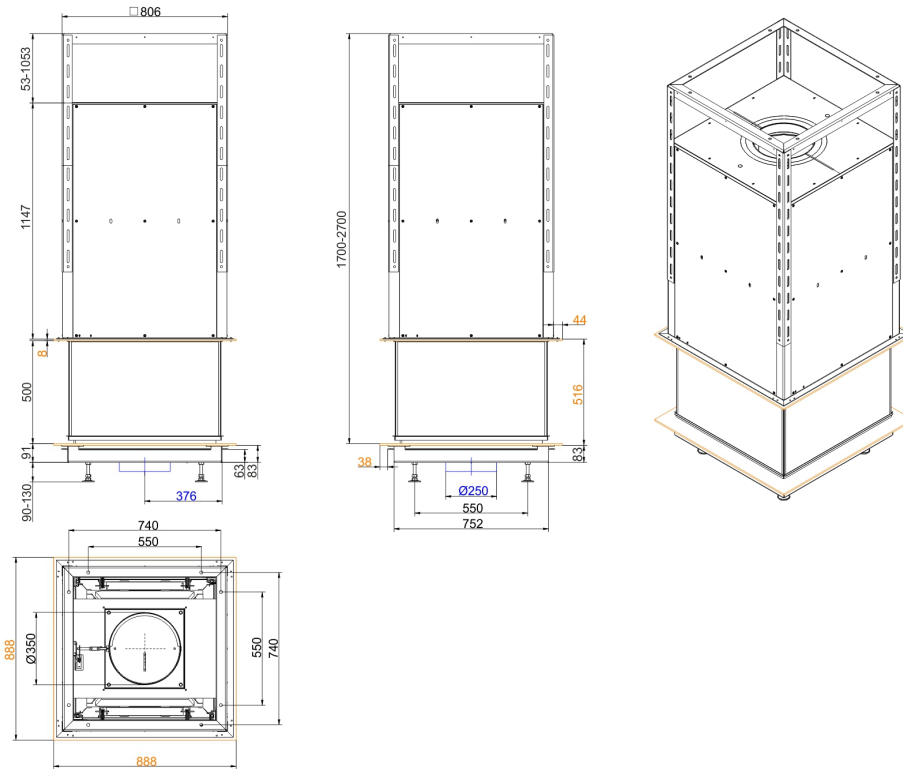
**Installation of the supply air connection**

*Im. 4: Assembly steps*

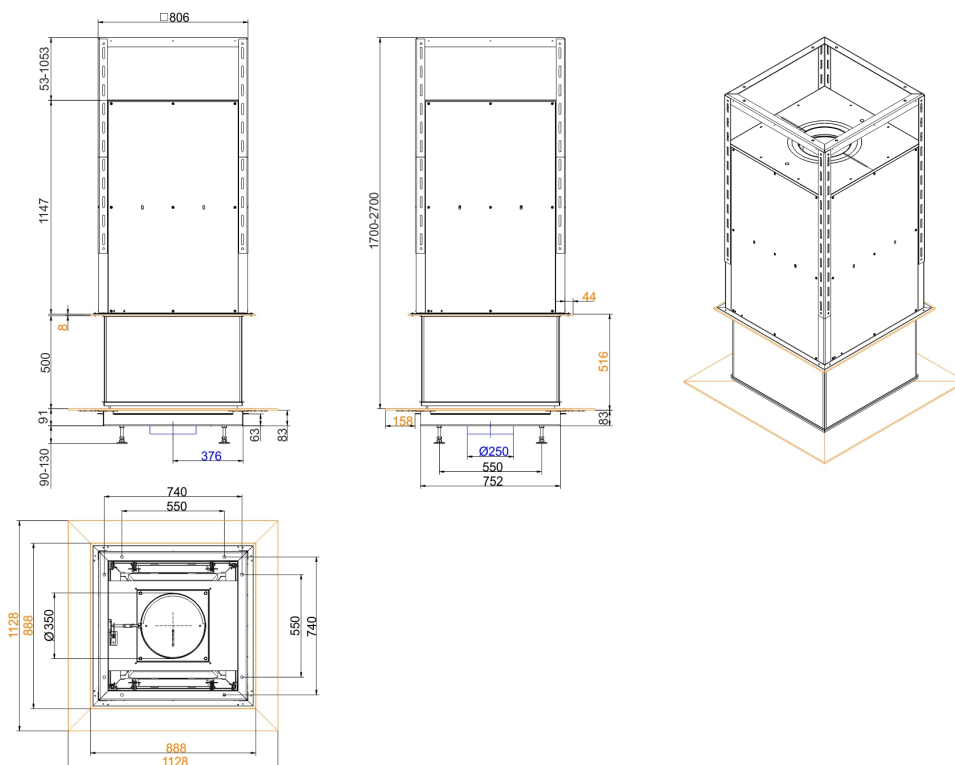


*Im. 5: Mounting of the air supply connection*

# Dimension sheets - Urfeuer® 4free



... with firetable frame narrow



... with firetable frame wide

We suggest for CAD planning Palette CAD. Permanent updated drawings: [www.brunner.de](http://www.brunner.de)  
 Frames/ flue gas outlet connection/ combustion air supply connection/ front variants/ support bearing are marked in color.

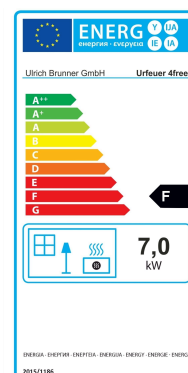
## Planning and installation - Urfeuer® 4free

EEI		53.5
<b>Data for functional demonstration</b>		
Flue gas mass flow	g/s	120
Outlet temperature	°C	80
Necessary supply pressure	Pa	7
Total fuel load	kg	2 - 5
Combustion air consumption	m <sup>3</sup> /h	410
Combustion air connection Ø	mm	250
<b>Cross-section of gratings</b>		
Convection air	cm <sup>2</sup>	500
Supply air	cm <sup>2</sup>	500
<b>Min. distances of fireplace without / with convection casing</b>		
to cladding, insulation layer	cm	6
to mounting floor	cm	2.5
<b>Thermal insulation without / with air gratings</b>		
Mounting wall	cm	10
Ceiling	cm	14
Brick lining for combustible wall	cm	10
<b>Weight</b>		
Gewicht Abgassammler + Feuertisch / Brennkammer	kg	190 + 119 / 48



**Product data sheet according to (EU) 2015/1186:**

Supplier's name or trademark	Ulrich Brunner GmbH
Model identifier:	Urfeuer 4free
Energy efficiency class:	F
Direct heat output:	7,0 kW
Indirect heat output:	N.A. kW
Energy efficiency index:	54
Fuel energy efficiency (at nominal heat output):	30,0 %
Fuel energy efficiency (at minimum load):	N.A. %
Special precautions: see supplied product documentation	



Ulrich Brunner GmbH  
Zellhuber Ring 17-18  
D-84307 Eggenfelden  
Tel.: +49 (0) 8721/771-0 / Fax: +49 (0) 8721/771-100  
Email: info@brunner.de

Technical and assortment changes as well as errors and misprints reserved.  
Reprinting and reproduction, even in part, only with the express permission of the publisher.

**Art.Nr.:**